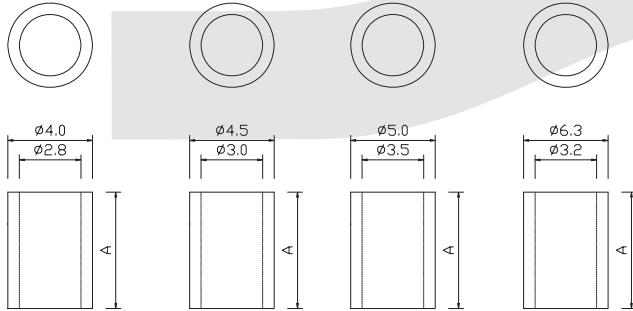


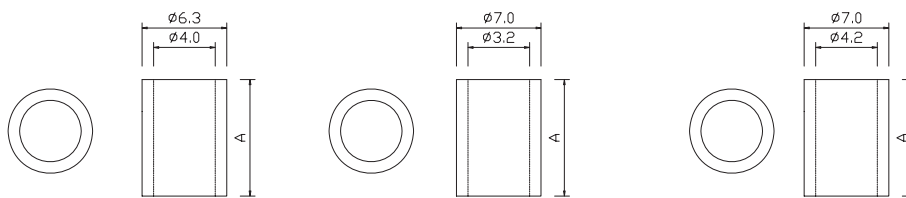
## Led Spacer Support Series

### KLS8-0110 Led Spacer Support Series

Material: UL approved Nylon 66, 94V-2  
Unit:mm



KLS8-0110 KLS8-0111 KLS8-0112 KLS8-0113A



KLS8-0113B

KLS8-0114

KLS8-0115

Model No.	A	Packaging
LED-1.5	1.5	2000
LED-2	2	
LED-2.5	2.5	
LED-3	3	
LED-3.5	3.5	
LED-4	4	
LED-4.5	4.5	
LED-5	5	
LED-5.5	5.5	
LED-6	6	
LED-6.5	6.5	
LED-6.8	6.8	
LED-7	7	
LED-7.5	7.5	
LED-8	8	
LED-8.5	8.5	
LED-8.8	8.8	
LED-9	9	
LED-9.5	9.5	
LED-10	10	

Model No.	A	Packaging
LED-10.5	10.5	2000
LED-11	11	
LED-11.5	11.5	
LED-12	12	
LED-12.5	12.5	
LED-13	13	
LED-13.5	13.5	
LED-14	14	
LED-14.5	14.5	1000
LED-15	15	
LED-15.5	15.5	
LED-16	16	
LED-16.5	16.5	
LED-17	17	
LED-17.5	17.5	
LED-18	18	
LED-18.5	18.5	
LED-19	19	
LED-19.5	19.5	
LED-20	20	

Model No.	A	Packaging
LED-20.5	20.5	1000
LED-21	21	
LED-21.5	21.5	
LED-22	22	
LED-22.5	22.5	
LED-23	23	
LED-23.5	23.5	
LED-24	24	
LED-24.5	24.5	
LED-25	25	
LED-25.5	25.5	
LED-26	26	
LED-26.5	26.5	
LED-27	27	
LED-27.5	27.5	
LED-28	28	
LED-28.5	28.5	
LED-29	29	
LED-29.5	29.5	
LED-30	30	

## ORDER INFORMATION

KLS8-0110-LED-1.5

