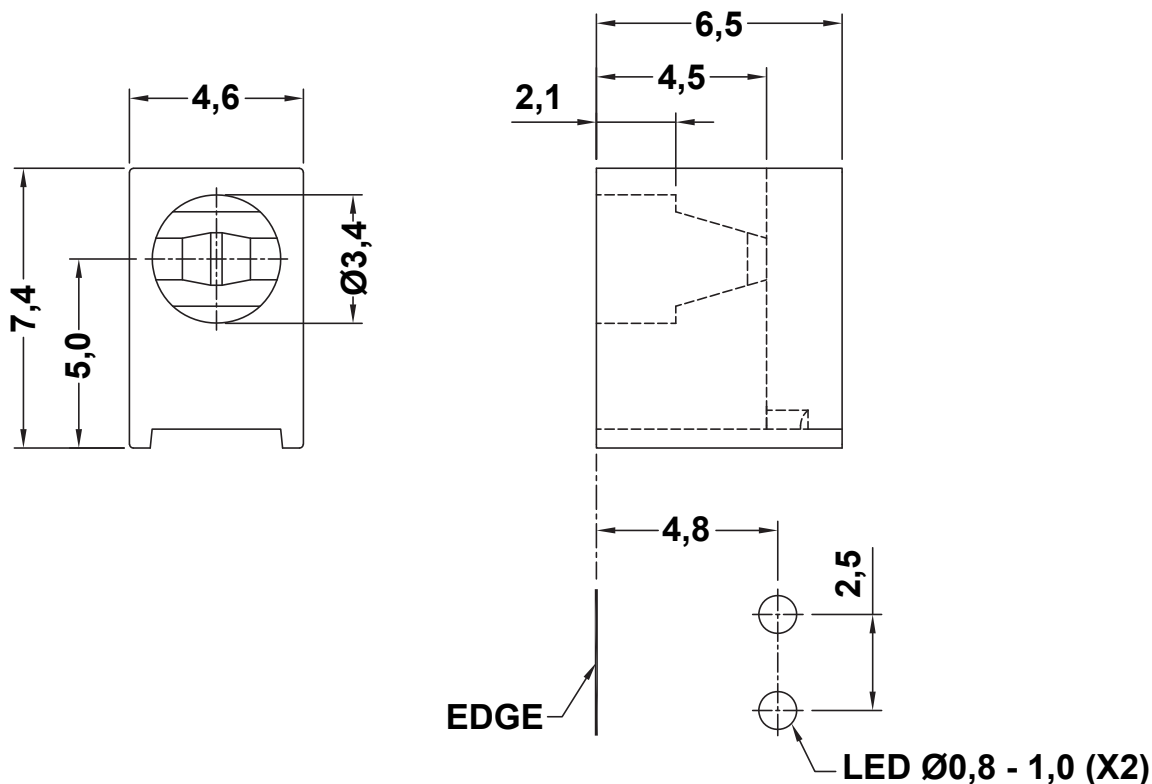



DIM.	TOL
L ≤ 10	±0.2
10 < L ≤ 30	±0.3
30 < L ≤ 50	±0.5
50 < L ≤ 100	±0.7
100 < L ≤ 250	±1.2
ABOVE 250	±1.5

REVISIONS			
REV	DESCRIPTION	DATE	BY



RECOMMEND MOUNTING HOLES

				TITLE LED HOLDER	
				MATERIAL PA 6.6 V2(UL94)	
PART NUMBER 11603AA01				DRAWING NUMBER 18.09.24.11603.0.E	
DRAWN R.F.				CHECK	
COLOR BLACK				APPROVED	
SIZE A4	SCALE 5:1	UNIT mm.	REV A	UNLESS OTHERWISE SPECIFIED TOLERANCE SEE ABOVE	