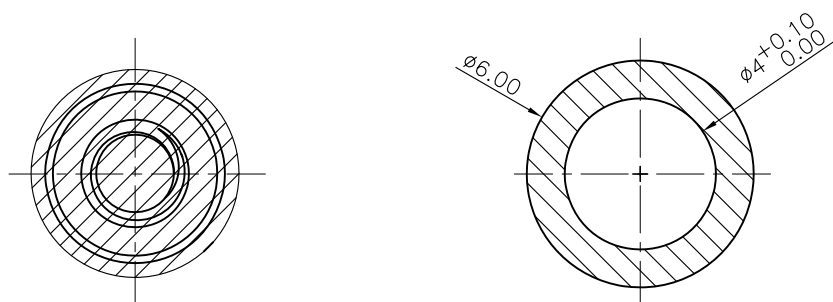
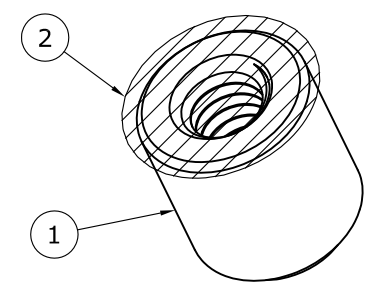
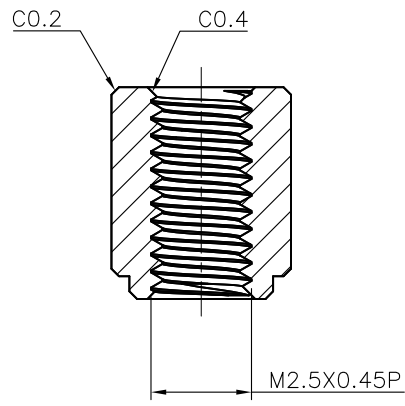
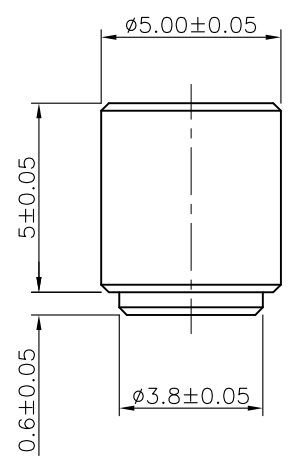




REV.	DESCRIPTION	DRAWN	DATE
1	INITIAL RELEASE	FROS	2016/07/25



Recommended Layout (top view)
General Tolerance: $\pm 0.05\text{mm}$



2	MYLAR	0.1t		
1	NUT	Low Lead Brass, Tin Plating		
NO. PART NAME		DESCRIPTION		
UNLESS OTHERWISE SPECIFIED TOLERANCE				
UNIT:	DECIMAL	LINEAR	ANGLES	
	X.	± 0.50	$\pm 5^\circ$	
	X.X	± 0.25	$\pm 3^\circ$	
mm	X.XX	± 0.12	$\pm 1^\circ$	
				
			WWW.ATTEND.COM.TW	
DRAWN	Fros	2016/07/25	DRAWN NAME:	
CHECKED	Tim	2016/07/25	Nut, M2.5x0.45P, 5H, Reel	
APPROVED	Ken	2016/07/25	PRODUCT NO.	125-NUT-78
	SCALE	SHEET	SIZE	FILE NAME
	5/1	1/1	A4	125-NUT-78_B_1