

REV.	DESCRIPTION	DRAWN	DATE
1	INITIAL RELEASE	Willis	2013/12/09
2	Corrected Holddown material	Tim	2016/09/30

**SPECIFICATION:**

**1. ELECTRICAL**

- 1.1 Current Rating: 0.5A per pin
- 1.2 Voltage Rating: 50V DC
- 1.3 Contact Resistance: 5 5mΩ Max
- 1.4 Insulation Resistance: 500MΩ Min
- 1.5 Dielectric Withstanding Voltage: 300VAC

**2. MECHANICAL**

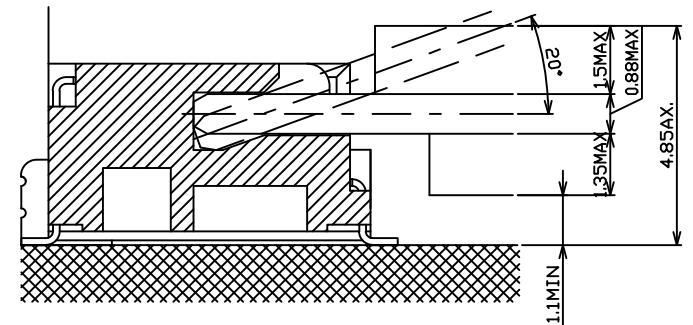
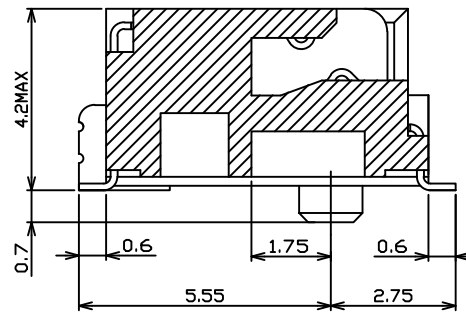
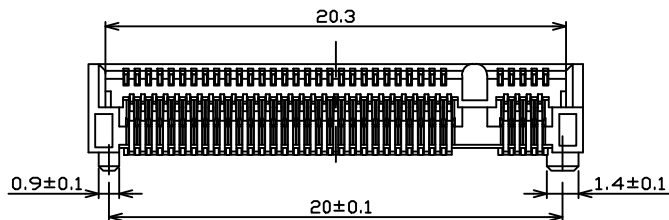
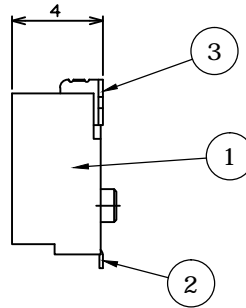
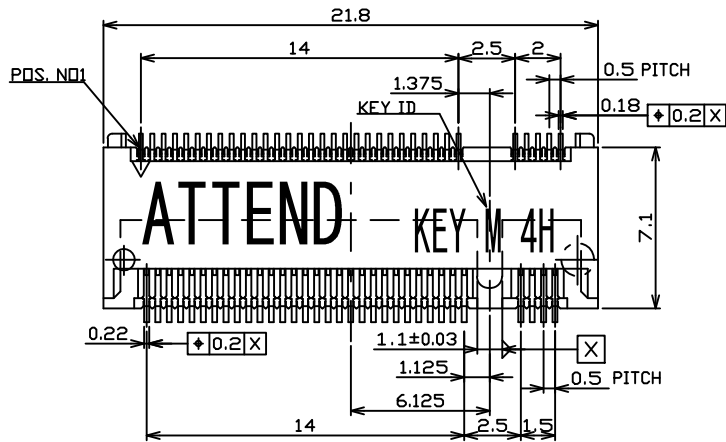
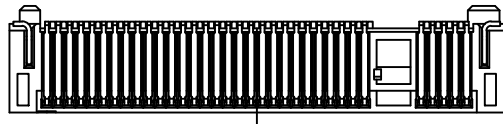
- 2.1 Durability: 200 Cycle
- 2.2 Insertion Force: 20N max.
- 2.3 Extraction Force: 25N max.


**3. ENVIRONMENTAL**

- 3.1 Operating temperature range: -40 °C~+85°C
- 3.2 Storage temperature range: -40 °C~+85°C

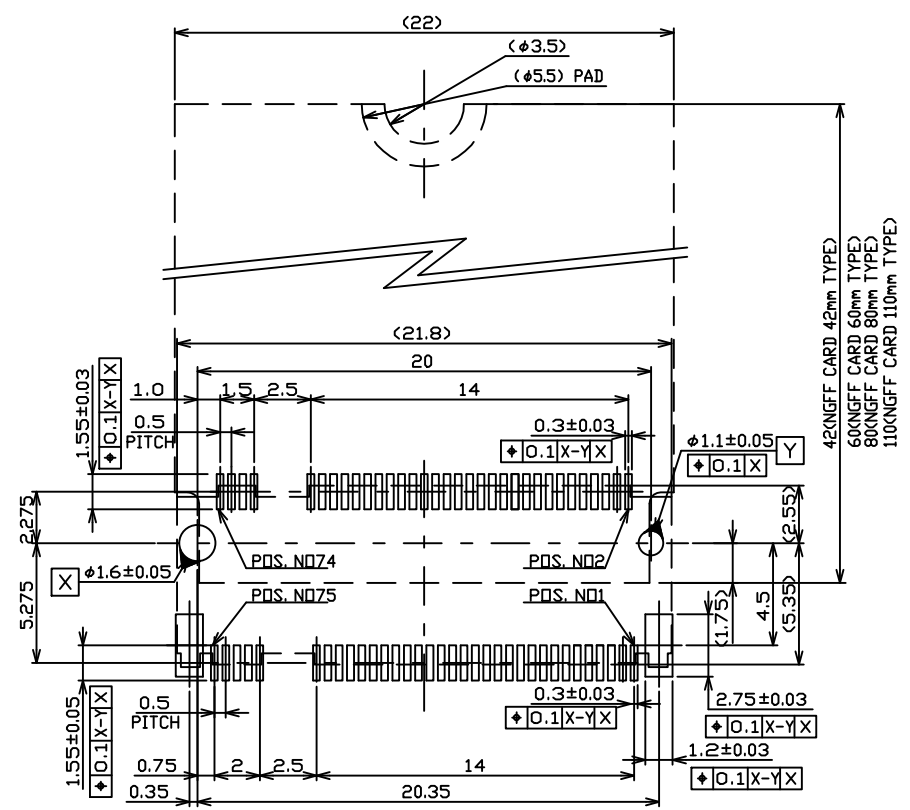
**4. SOLDER ABILITY**

- 4.1 Recommended IR-Reflow Temperature: 260°C 10Sec
- 4.2 Recommended PCB Thickness: 1.0mm

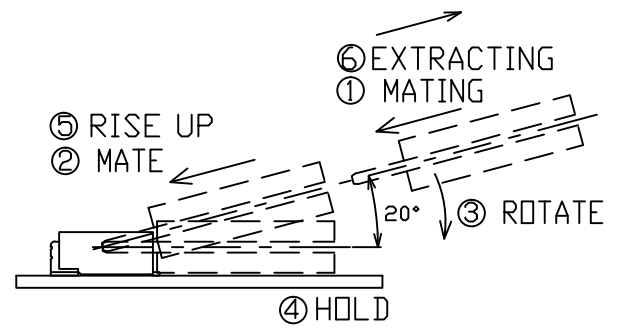
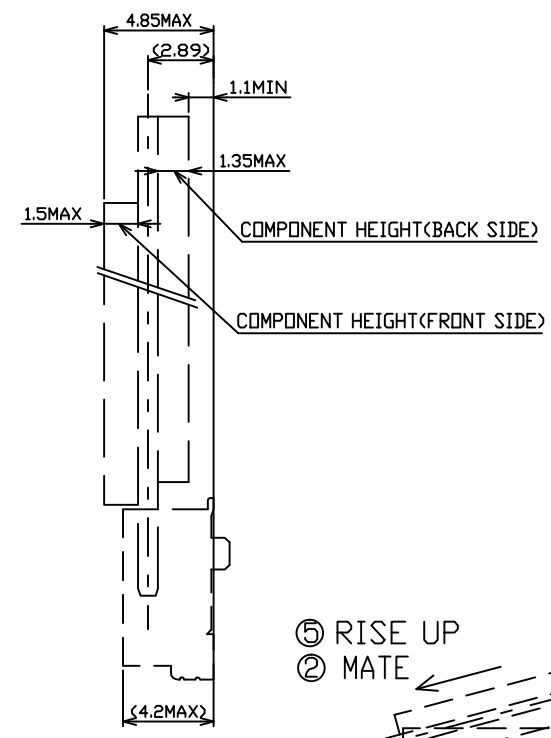



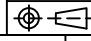
3	HOLDDOWN	Phosphor Bronze, Tin Plating over Nickel	
2	CONTACT	Phosphor Bronze, Gold plating over Nickel	
1	HOUSING	LCP, UL94V-0, Black	
NO. PART NAME		DESCRIPTION	
UNLESS OTHERWISE SPECIFIED TOLERANCE			
UNIT:	DECIMAL	LINEAR	ANGLES
	X.	±0.50	±5°
	X.X	±0.25	±3°
	X.XX	±0.12	±1°
			
		WWW.ATTEND.COM.TW	
DRAWN	Willis	2013/12/09	DRAWN NAME: M.2 Connector, M key, H4.2mm 0.5Pitch, Gold Flash
CHECKED	Angel	2013/12/09	
APPROVED	Ken	2013/12/09	
SCALE		SHEET	SIZE
3/1		1/4	A4
FILE NAME		123A-42MA0-R01_B_2	

REV.	DESCRIPTION	DRAWN	DATE
	see sheet one		

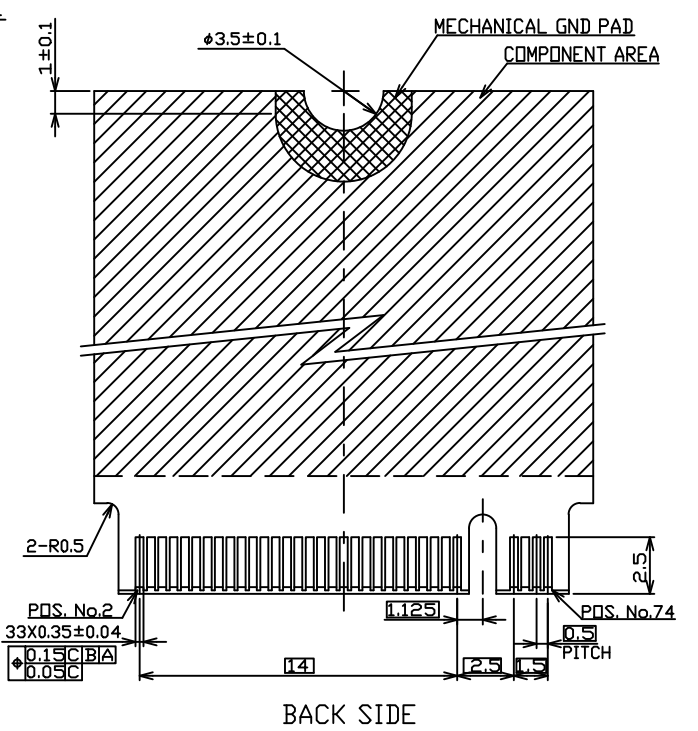
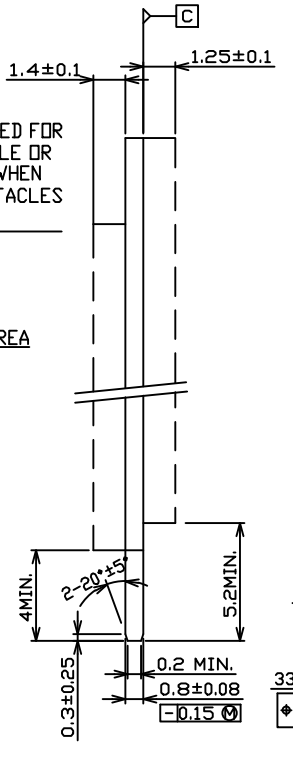
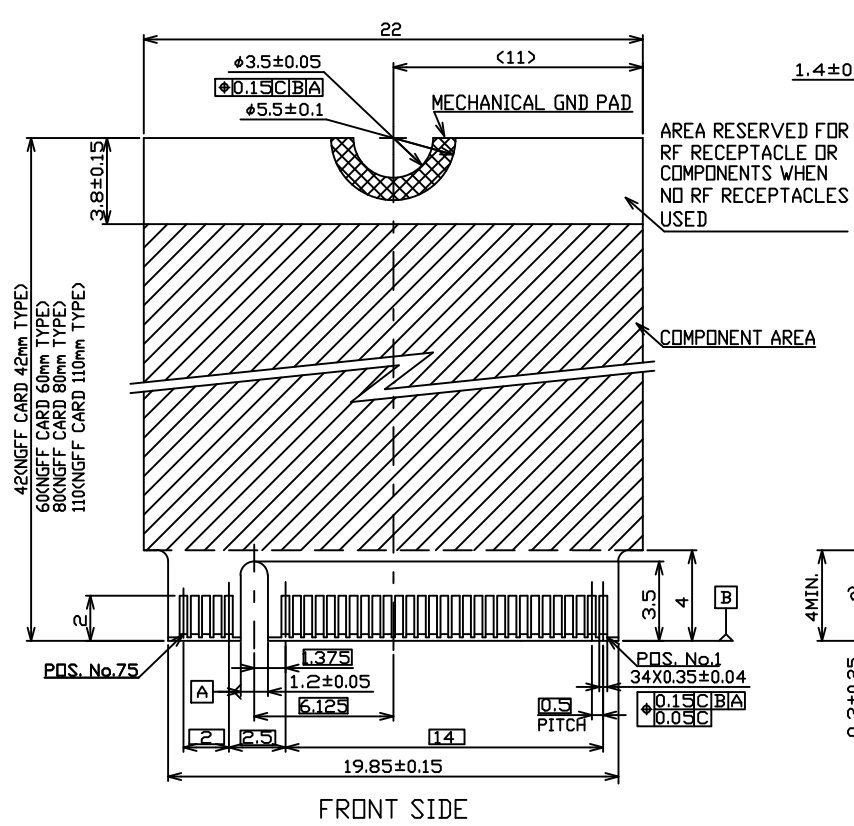


KEY ID "M"  
RECOMMENDED P.C.BOARD LAYOUT


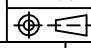


UNLESS OTHERWISE SPECIFIED TOLERANCE					
UNIT:	DECIMAL	LINEAR	ANGLES		
mm	X.	±0.50	±5°	WWW.ATTEND.COM.TW	
	X.X	±0.25	±3°		
	X.XX	±0.12	±1°		
DRAWN	Willis	2013/12/09	DRAWN NAME:		
CHECKED	Angel	2013/12/09	M.2 Connector, M key, H4.2mm 0.5Pitch, Gold Flash		
APPROVED	Ken	2013/12/09	PRODUCT NO.	123A-42MA0-R01	
	SCALE	SHEET	SIZE	FILE NAME	123A-42MA0-R01_B_2
	3/1	2/4	A4		

REV.	DESCRIPTION	DRAWN	DATE
	see sheet one		

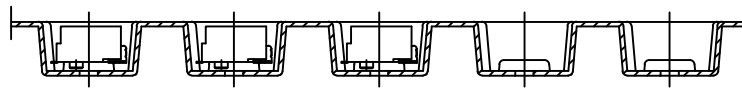
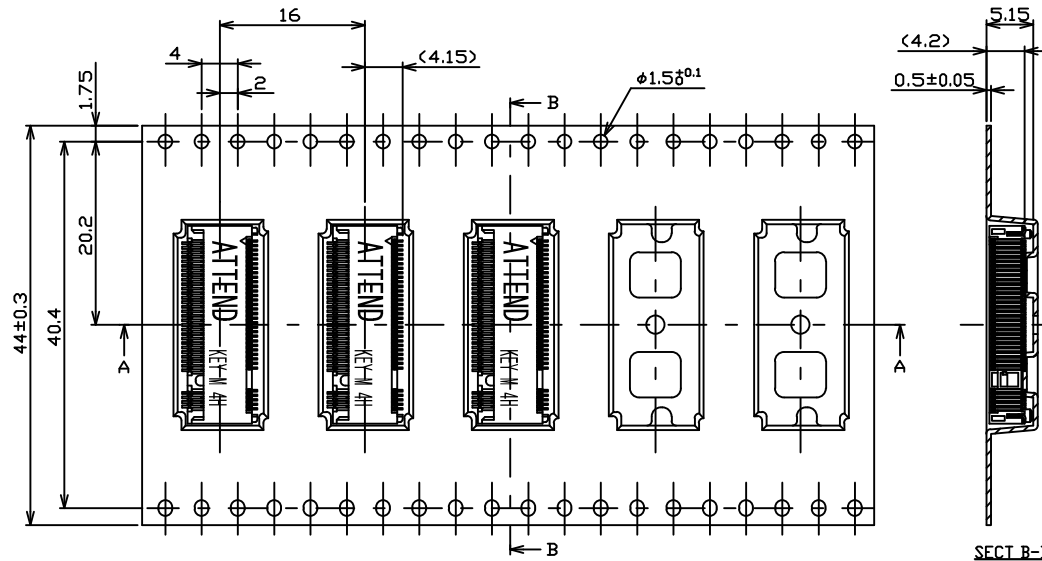
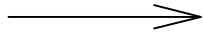


KEY ID "M"  
RECOMMENDED MODULE LAYOUT

UNLESS OTHERWISE SPECIFIED TOLERANCE				 WWW.ATTEND.COM.TW
UNIT:	DECIMAL	LINEAR	ANGLES	
mm	X.	±0.50	±5°	
	X.X	±0.25	±3°	
	X.XX	±0.12	±1°	
DRAWN	Willis	2013/12/09	DRAWN NAME:	
CHECKED	Angel	2013/12/09	M.2 Connector, M key, H4.2mm 0.5Pitch, Gold Flash	
APPROVED	Ken	2013/12/09	PRODUCT NO. 123A-42MA0-R01	
	SCALE 3/1	SHEET 3/4	SIZE A4	FILE NAME 123A-42MA0-R01_B_2

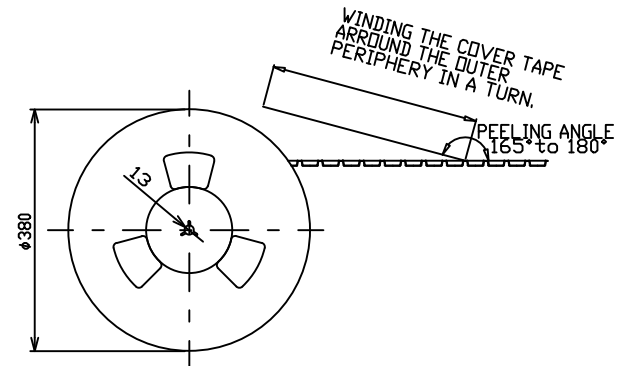
REV.	DESCRIPTION	DRAWN	DATE
	see sheet one		


DIRECTION OFF TOP OF REEL

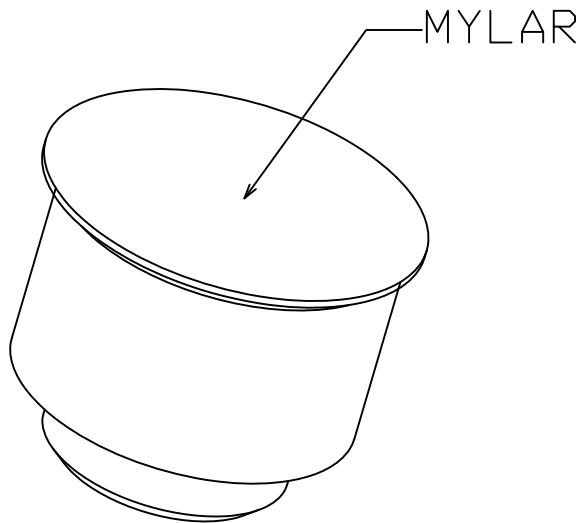
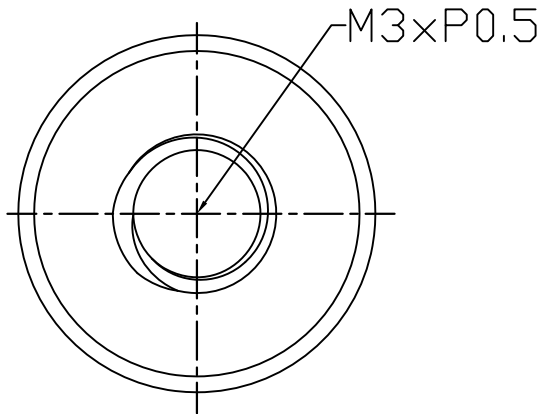


SECT A-A

- NOTES:
1. THE DIRECTION OF EACH CONNECTOR ON A EMBOSS IS REFERED TO THIS DRAWING.
  2. GENERAL TOLERANCE :  $\pm 0.5$  ,  $\pm 3^\circ$
  3. PACKAGED IN EMBOSS TAPE AND PLASTIC REEL 1000 PCS PRE REEL.

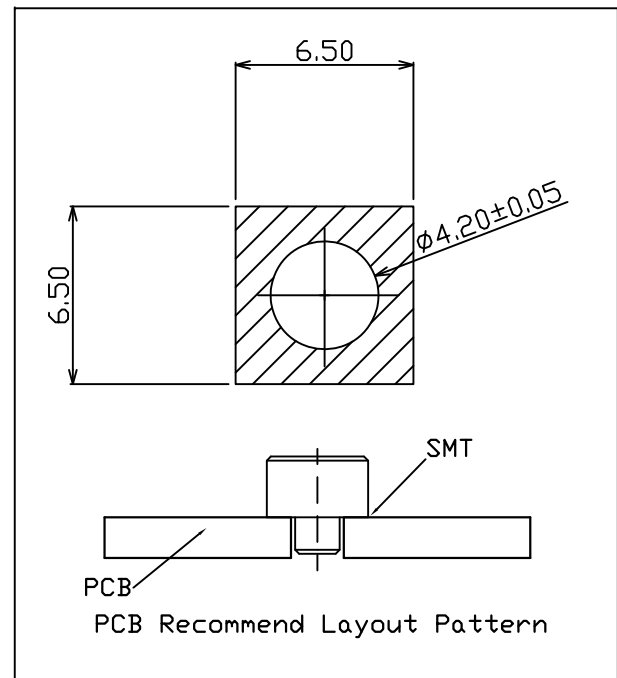
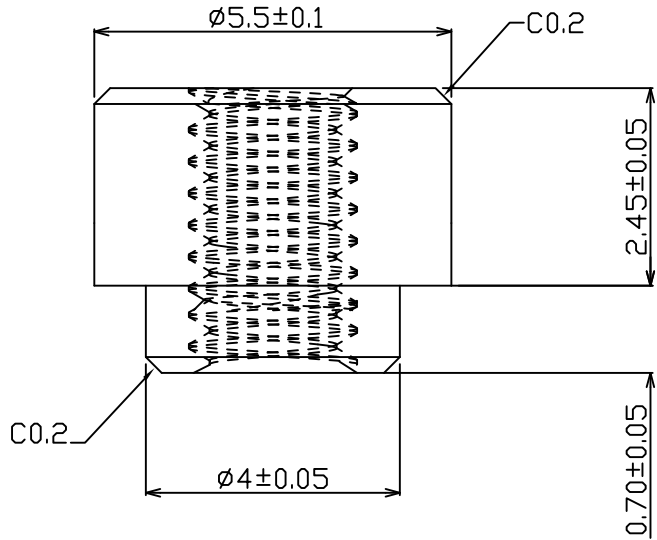


UNLESS OTHERWISE SPECIFIED TOLERANCE				 WWW.ATTEND.COM.TW		
UNIT:	DECIMAL	LINEAR	ANGLES			DRAWN NAME: M.2 Connector, M key, H4.2mm 0.5Pitch, Gold Flash
mm	X.	$\pm 0.50$	$\pm 5^\circ$			
	X.X	$\pm 0.25$	$\pm 3^\circ$			
	X.XX	$\pm 0.12$	$\pm 1^\circ$			
DRAWN	Willis	2013/12/09	PRODUCT NO. 123A-42MA0-R01			
CHECKED	Angel	2013/12/09	FILE NAME 123A-42MA0-R01_B_2			
APPROVED	Ken	2013/12/09	SCALE 3/1	SHEET 4/4	SIZE A4	



NOTE:

- 1.MATERIAL: Copper Alloy
- 2.Plating: Sn.



REV.	DESCRIPTION	DATE	REV.	DESCRIPTION	DATE
1			4		
2			5		
3			6		

UNLESS OTHERWISE SPECIFIED TOLERANCE		
ANGLES	ANG.	±5°
	0.	±0.3
LINEAR	0.0	±0.25
	0.00	±0.20
SCALE	AS SHOWN	UNIT: mm
DRAWN	Willis	2013/11/13
CHECKED	Angel	2013/11/13
APPROVED	Ken	2013/11/13
SIZE	A4	REV. 1.0



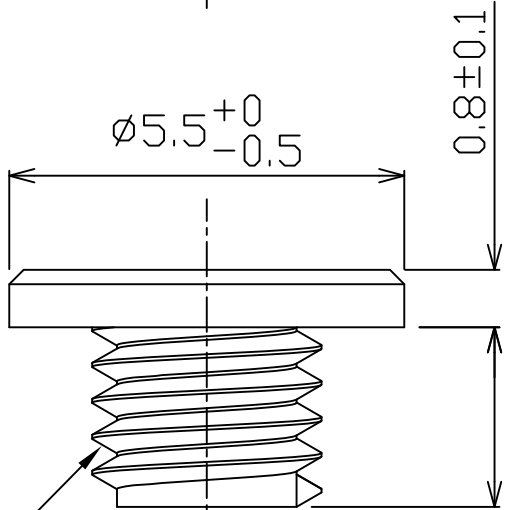
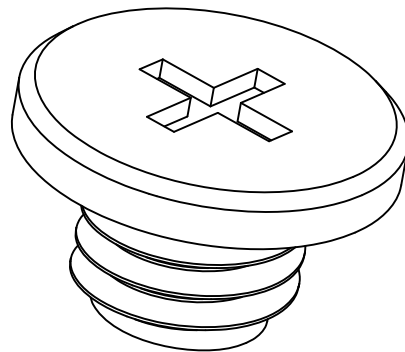
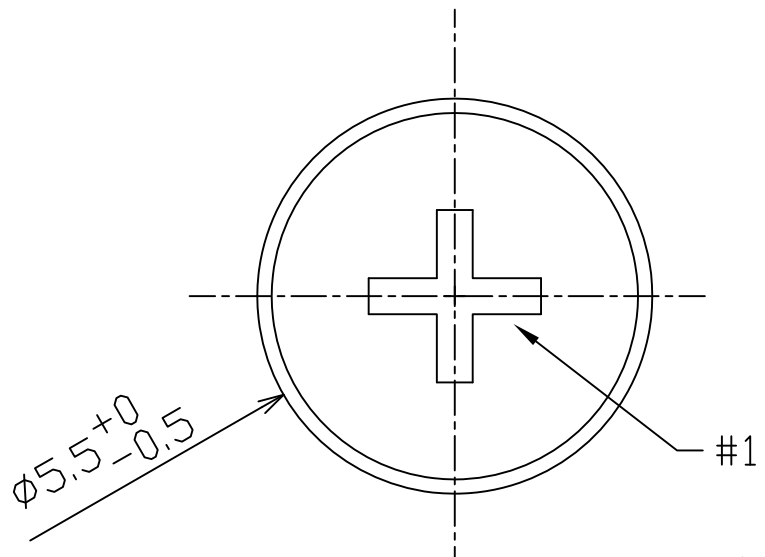
www.attend.com.tw

DRAWN NAME: M.2 Connector Stand Off

PRODUCT NO. 123A-NUT-42

FILE NAME 123A-NUT-42\_B\_1

△	Revise:				
△	Revise:				
△	Revise:				



M3.0\*P0.50

$2.5^{+0}_{-0.3}$

Note:  
 1. Material: Low-carbon steel  
 2. Plating: Nickel

REV.	DESCRIPTION	DATE	REV.	DESCRIPTION	DATE	UNLESS OTHERWISE SPECIFIED TOLERANCE			DRAWN NAME:	
						ANGLES	ANG.	$\pm 5^\circ$	 <a href="http://www.attend.com.tw">www.attend.com.tw</a>	
					LINEAR		0.	$\pm 0.3$		
							0.00	$\pm 0.25$		
						SCALE	AS SHOWN	UNIT: mm	M.2 Series Screw	
						DRAWN	Willis	2013/08/06		
						CHECKED	Angel	2013/08/06	PRODUCT NO. 123A-SCREW	
						APPROVED	Ken	2013/08/06		
								REV. 1.0	FILE NAME	123A-SCREW_B_1

A Revise:  
 Revise:  
 Revise:

A