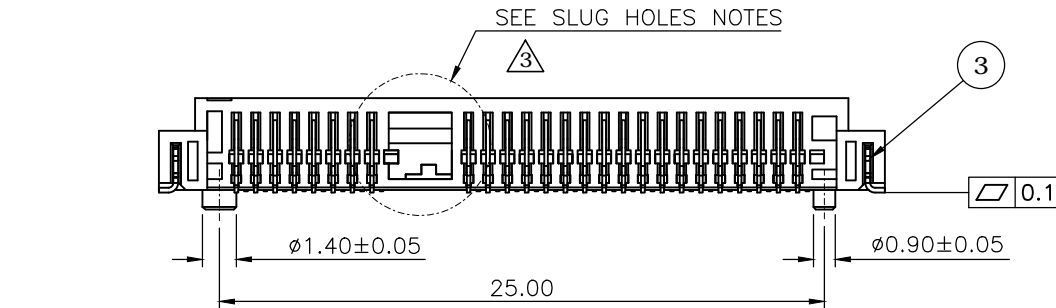
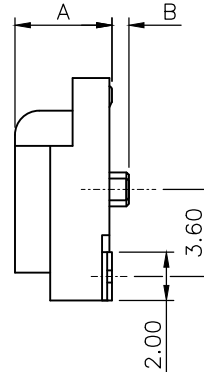


*SEE TABLE



NO.	DESCRIPTION	DRAWN	DATE
2	ADD PACKING & DIMENSIONS TABLE	FROS	2014/12/19
3	ADD PAGE 4, SLUG HOLE NOTES	FROS	2015/08/11
4	REVISED PACKING	FROS	2015/11/23


SPECIFICATION:

1. ELECTRICAL
 - 1.1 Current Rating: 0.5A per pin
 - 1.2 Voltage Rating: 50V DC
 - 1.3 Contact Resistance: 55mΩ Max
 - 1.4 Insulation Resistance: 500MΩ Min
 - 1.5 Dielectric Withstanding Voltage: 300VAC
2. MECHANICAL
 - 2.1 Durability: 100 Cycle
 - 2.2 Insertion Force: 2.3Kgf max.
 - 2.3 Extraction Force: 2.3Kgf max.
3. ENVIRONMENTAL
 - 3.1 Operating temperature range: -40°C~+85°C
 - 3.2 Storage temperature range: -40°C~+85°C
4. SOLDER ABILITY
 - 4.1 Recommended IR Reflow Temperature: 260°C 10Sec

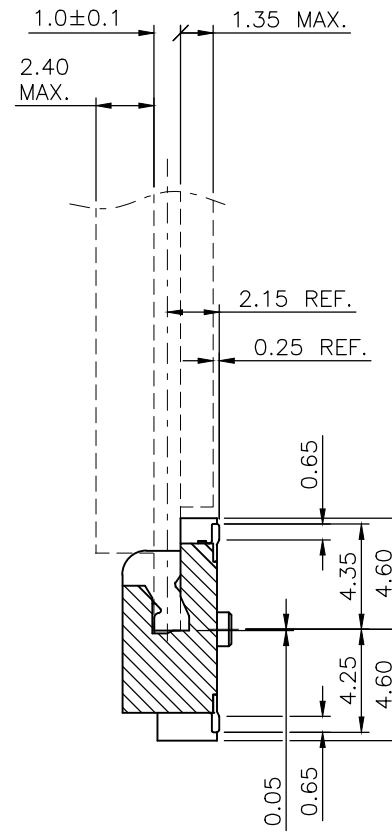
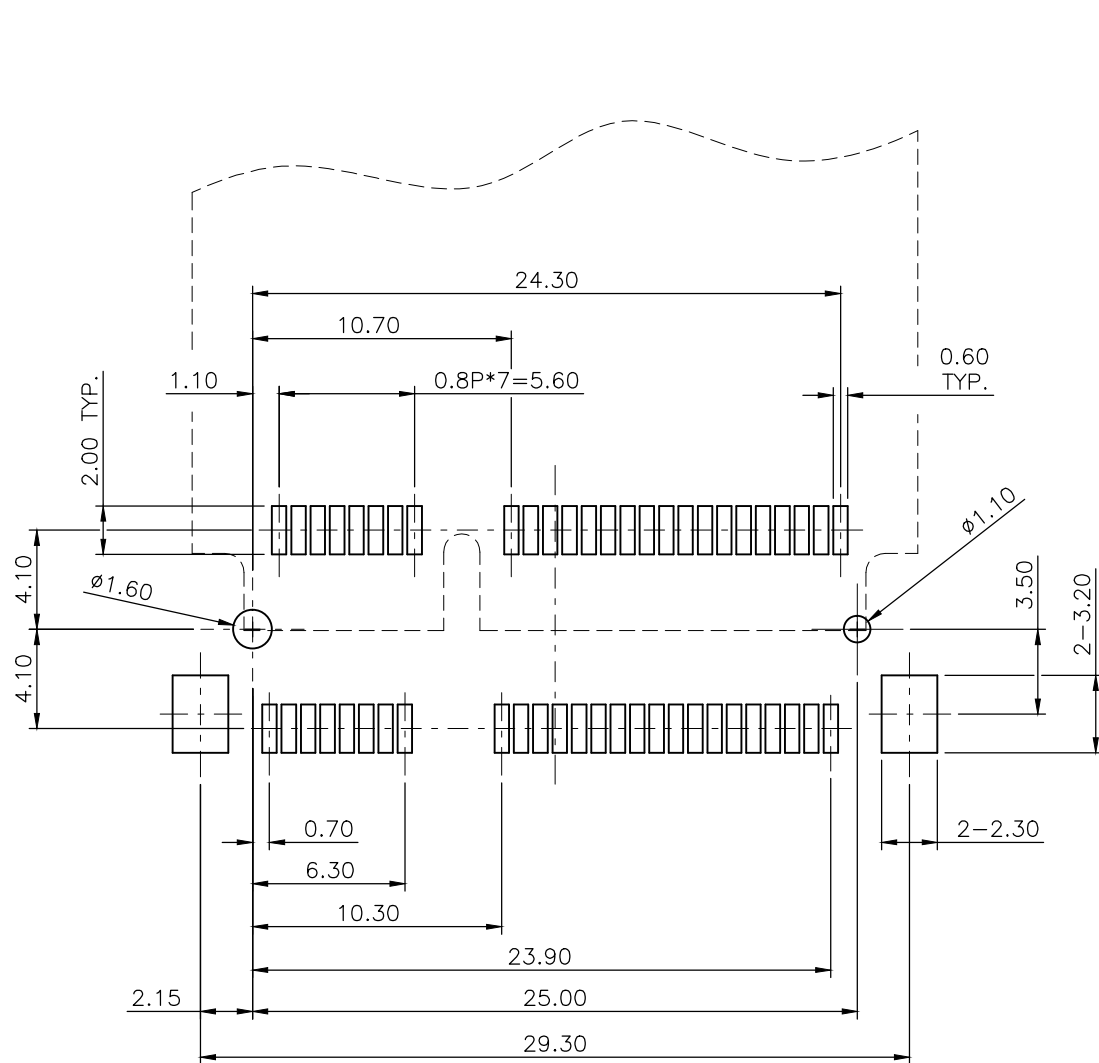
DIMENSIONS TABLE		
A	B	P/N
4.0	0.7	119A-40A00-R04
5.6	0.5	119A-56A00-R04

NOTE: 1
 DATE CODE: 3 3 4 1
 YEAR 2013 DAY 1 AT WEEK
 WEEK 34

3	HOLDDOWN	Brass C2680, Tin Plated
2	CONTACT	Phosphor Bronze C5210, Contact Area: Gold Flash Over Nickel
1	HOUSING	LCP UL94V-0, Black

NO. PART NAME		DESCRIPTION		
UNLESS OTHERWISE SPECIFIED TOLERANCE				
UNIT:	DECIMAL	LINEAR	ANGLES	
	X.	±0.50	±5°	
	X.X	±0.25	±3°	
	X.XX	±0.12	±1°	
 WWW.ATTEND.COM.TW				
DRAWN	Fros	2014/12/12	DRAWN NAME: Mini PCI Express Socket H:X.Xmm	
CHECKED	Ron	2014/12/12		
APPROVED	Albert	2014/12/12		
SCALE 3.2		SHEET 1/4	SIZE A4	PRODUCT NO. SEE P/N TABLE
FILE NAME		119A-XXA00-R04_B_4		


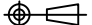
NO.	DESCRIPTION	DRAWN	DATE
	SEE SHEE 1		



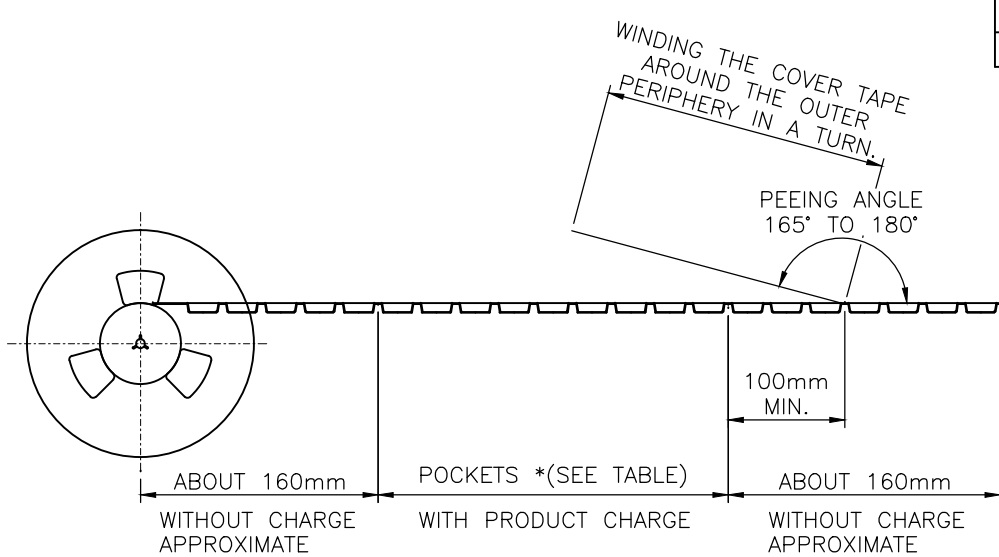
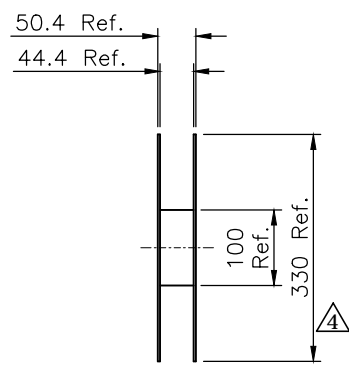
RECOMMEND PCB LAYOUT, TOP VIEW

----- IS CARD
 _____ IS PAD LAYOUT

GENERAL TOLERANCE: ±0.05

UNLESS OTHERWISE SPECIFIED TOLERANCE				 ATTEND WWW.ATTEND.COM.TW
UNIT:	DECIMAL	LINEAR	ANGLES	
mm	X.	±0.50	±5°	
	X.X	±0.25	±3°	
	X.XX	±0.12	±1°	
DRAWN	Fros	2014/12/12	DRAWN NAME:	
CHECKED	Ron	2014/12/12	Mini PCI Express Socket H:X.Xmm	
APPROVED	Albert	2014/12/12	PRODUCT NO. SEE P/N TABLE	
 SCALE 3.2	SHEET 2/4	SIZE A4	FILE NAME 119A-XXA00-R04_B_4	

NO.	DESCRIPTION	DRAWN	DATE
	SEE SHEE 1		

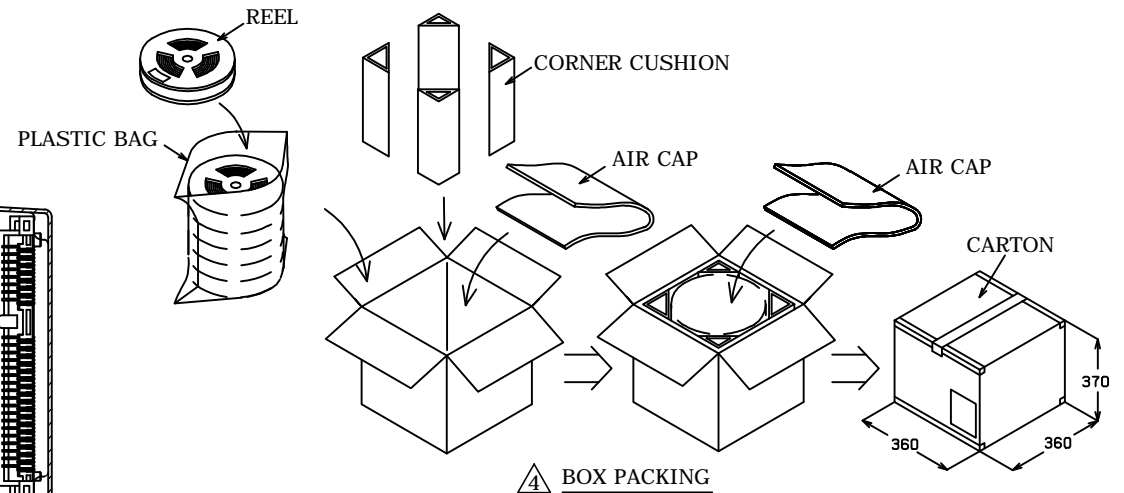
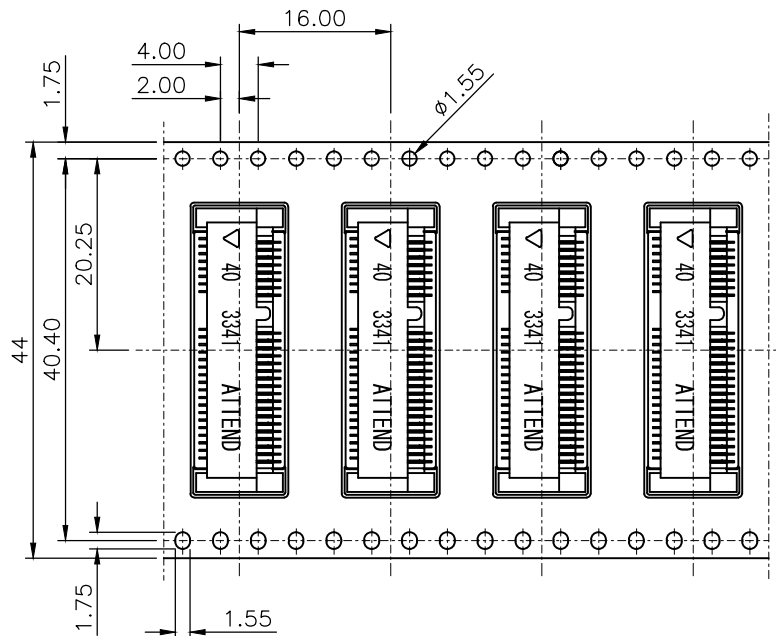


REEL DIMENSIONS
SCALE 1/10

NOTE:

1. PEELING RESISTANCE: 0.1N~0.13N (10gf~130gf)
PEELING ANGLE: 165°~180°
PEELING SPEED: 300mm/min.
2. PACKING STYLE
6 REEL/CARTON

PACKING TABLE		
P/N	Q'TY/ REEL	Q'TY/ CARTON
119A-40A00-R04	700 PCS	4,200 PCS
119A-56A00-R04	550 PCS	3,300 PCS



DIMENSIONS TABLE	
C	P/N
6.30	119A-40A00-R04
7.90	119A-56A00-R04

UNLESS OTHERWISE SPECIFIED TOLERANCE			
UNIT:	DECIMAL	LINEAR	ANGLES
mm	X.	±0.50	±5°
	X.X	±0.25	±3°
	X.XX	±0.12	±1°



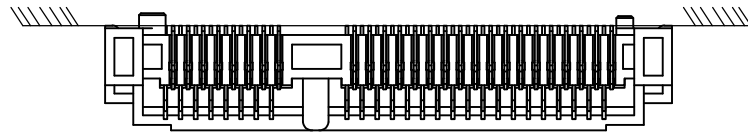
WWW.ATTEND.COM.TW

DRAWN	Fros	2014/12/12	DRAWN NAME: Mini PCI Express Socket H:X.Xmm
CHECKED	Ron	2014/12/12	
APPROVED	Albert	2014/12/12	PRODUCT NO. SEE P/N TABLE
SCALE	1.25	SHEET	3/4
SIZE	A4	FILE NAME	119A-XXA00-R04_B_4

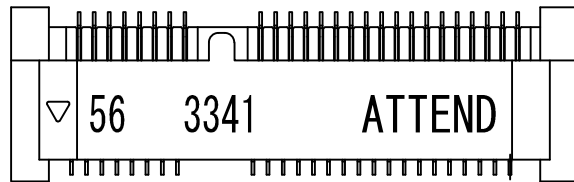
*SEE TABLE

NO.	DESCRIPTION	DRAWN	DATE
	see sheet one		

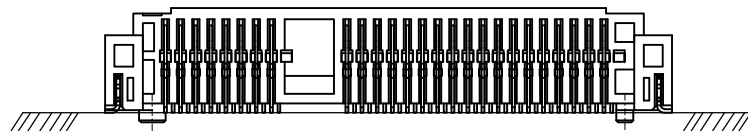
119A-56A00-R04



FRONT SIDE

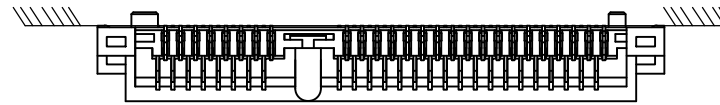


TOP VIEW

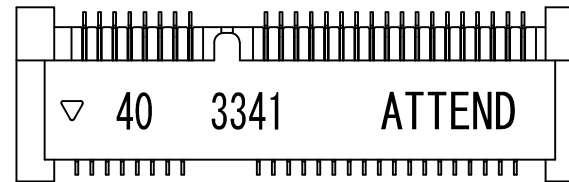


BACK SIDE

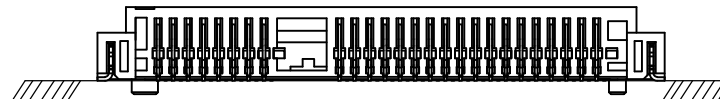
119A-40A00-R04



FRONT SIDE



TOP VIEW



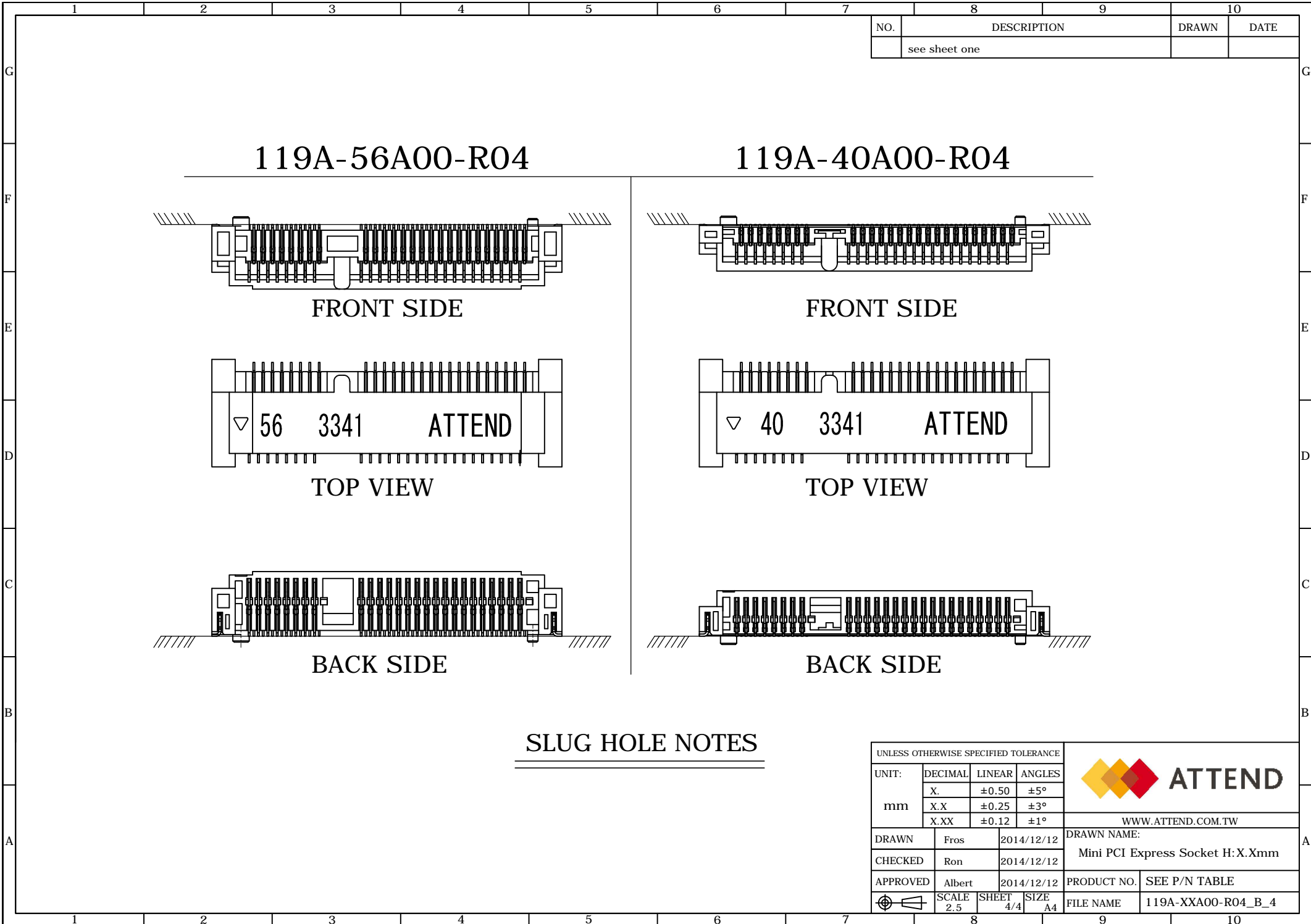
BACK SIDE

SLUG HOLE NOTES

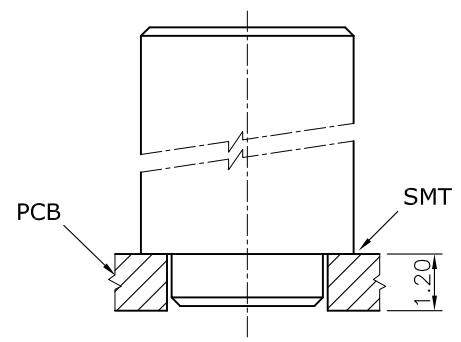
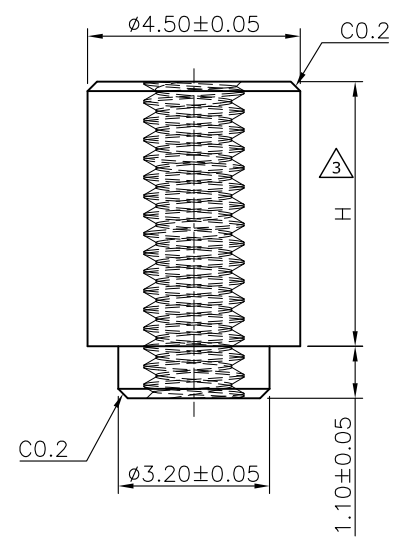
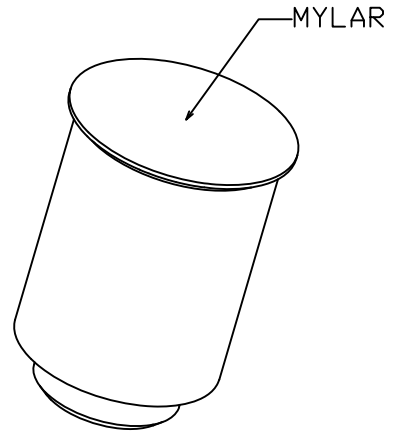
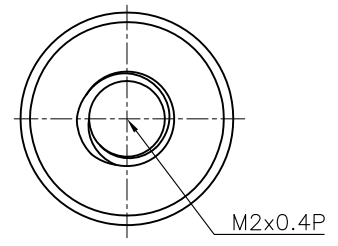
UNLESS OTHERWISE SPECIFIED TOLERANCE			
UNIT:	DECIMAL	LINEAR	ANGLES
mm	X.	±0.50	±5°
	X.X	±0.25	±3°
	X.XX	±0.12	±1°
DRAWN	Fros	2014/12/12	DRAWN NAME: Mini PCI Express Socket H:X.Xmm
CHECKED	Ron	2014/12/12	
APPROVED	Albert	2014/12/12	PRODUCT NO. SEE P/N TABLE
	SCALE 2.5	SHEET 4/4	SIZE A4
	FILE NAME	119A-XXA00-R04_B_4	



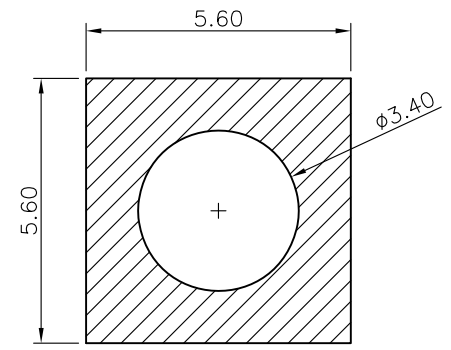
WWW.ATTEND.COM.TW



REV.	DESCRIPTION	DRAWN	DATE
1	INITIAL RELEASE	Willis	2012/12/10
2	Revised frame	Willis	2013/01/25
3	Revised frame & p/n table	FROS	2017/06/14




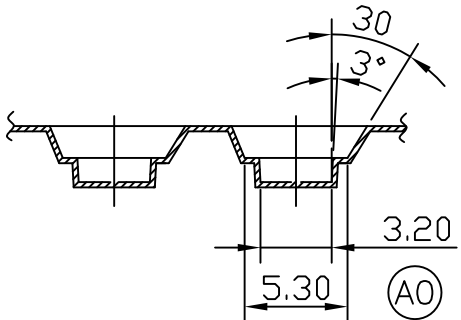
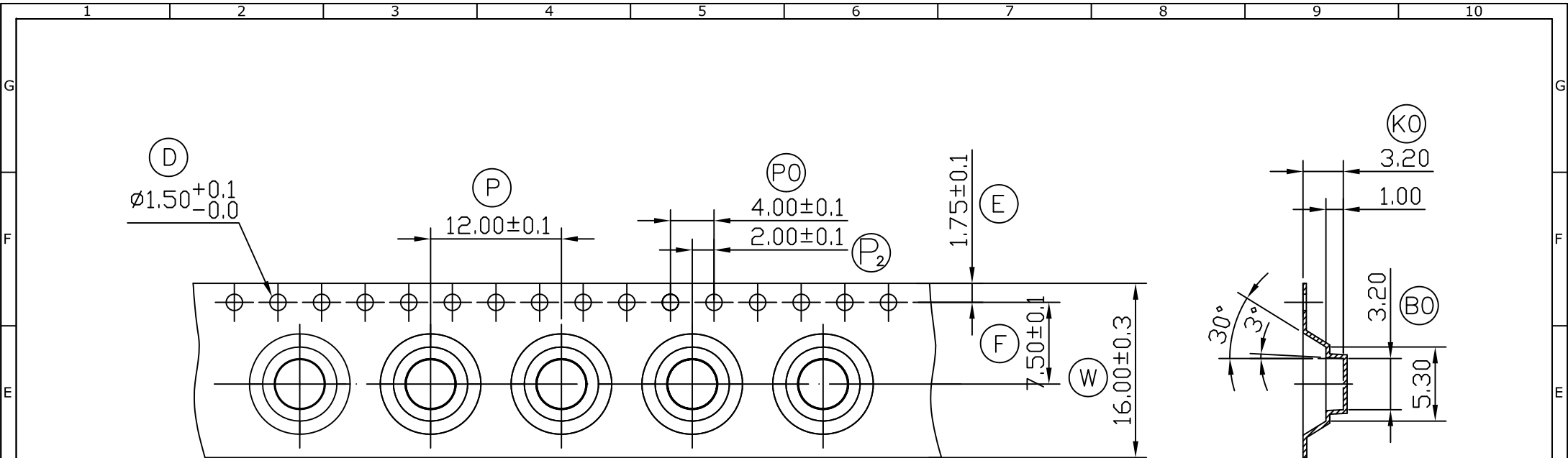
NOTE:
1.MATERIAL: Copper Alloy
2.Plating: Sn.



PCB Recommend Layout Pattern

NUT P/N	"H"±0.1	Mini PCI E P/N
119A-NUT-40-R02	1.6	119A-40A00-R02
119A-NUT-52-R02	2.8	119A-52A00-R02
119A-NUT-56-R02	3.2	119A-56A00-R02
119A-NUT-80-R02	5.6	119A-80A00-R02
119A-NUT-92-R02	6.8	119A-92A00-R02

UNLESS OTHERWISE SPECIFIED TOLERANCE				 WWW.ATTEND.COM.TW	
UNIT:	DECIMAL	LINEAR	ANGLES		
mm	X.	±0.50	±5°	DRAWN NAME: Mini PCI Express Stand Off	
	X.X	±0.25	±3°		
	X.XX	±0.12	±1°		
DRAWN	Willis	2012/12/10	DRAWN NAME: Mini PCI Express Stand Off		
CHECKED	Angel	2012/12/10	DRAWN NAME: Mini PCI Express Stand Off		
APPROVED	Ken	2012/12/10	PRODUCT NO.	see p/n table	
⊕	SCALE 6.25	SHEET 1/1	SIZE A4	FILE NAME	119A-NUT-XX-R02_B_3



- 1. Material: PS Black-Thickness : 0.35 ± 0.05 mm.
- 2. Packing Length Per 22" Reel : 68 Meters (1:3).
- 3. Component Load Per 13" Reel : 1800 Pcs.

ITEM	W	A ₀	B ₀	K ₀	K ₁	P	F	E	D	D ₁	P ₀	P ₂
DIM	16.0 ^{+0.30} _{-0.30}	3.20 ^{+0.20} _{-0.10}	3.20 ^{+0.20} _{-0.10}	3.20 ^{+0.20} _{-0.10}	0.00 ^{+0.20} _{-0.10}	8.00 ^{+0.10} _{-0.10}	7.50 ^{+0.10} _{-0.10}	1.75 ^{+0.10} _{-0.10}	1.50 ^{+0.10} _{-0.00}	0.00 ^{+0.25} _{-0.00}	4.00 ^{+0.10} _{-0.10}	2.00 ^{+0.10} _{-0.10}

UNLESS OTHERWISE SPECIFIED TOLERANCE		
ANGLES	ANG.	±5°
LINEAR	0.	±0.3
	0.0	±0.25
	0.00	±0.20
SCALE	AS SHOWN	UNIT: mm
DRAWN	Willis	2012/12/10
CHECKED	Angel	2012/12/10
APPROVED	Ken	2012/12/10



ATTEND

www.attend.com.tw

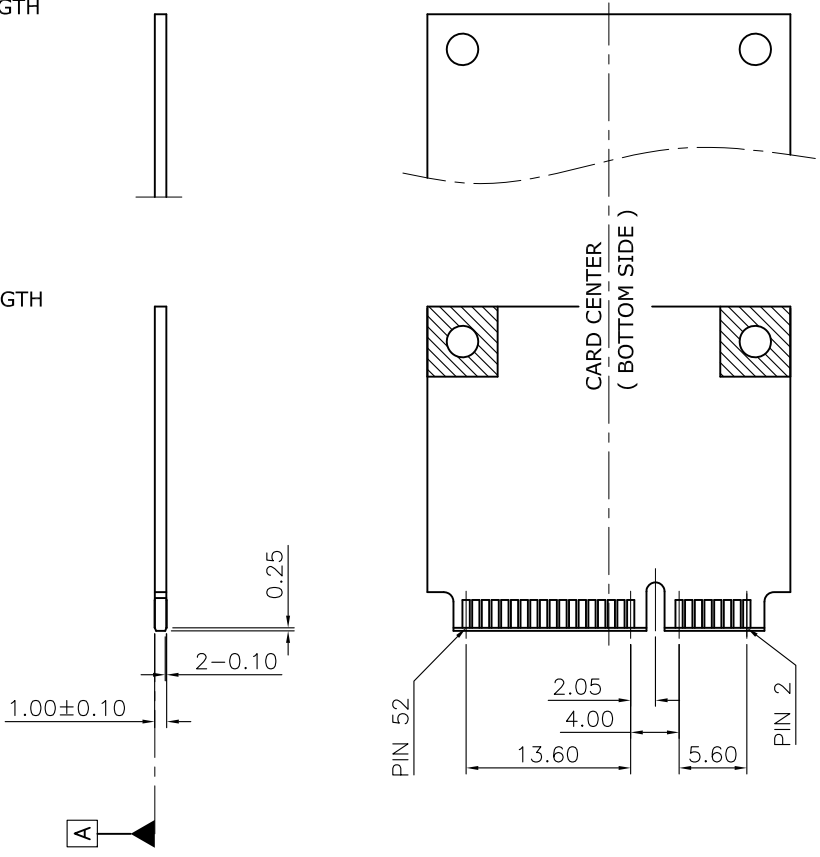
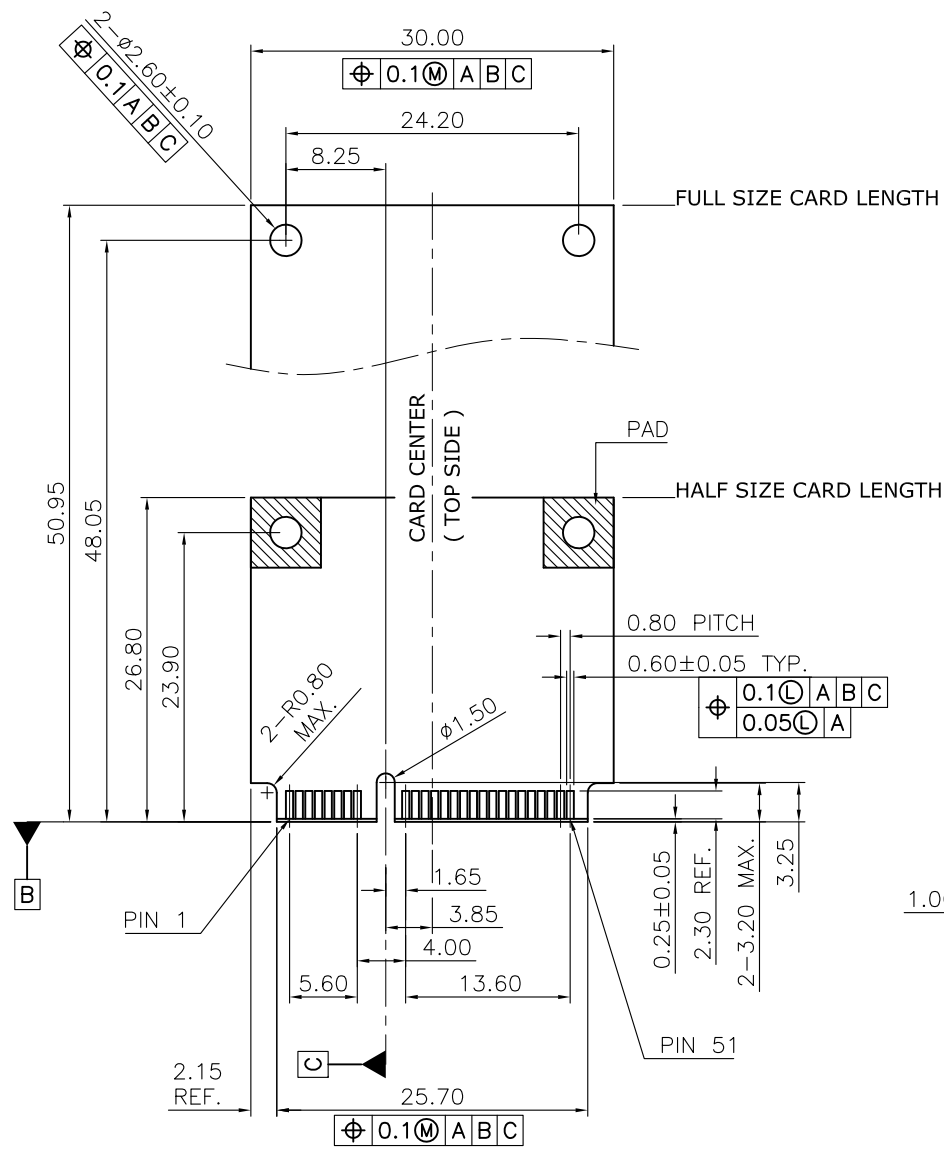
DRAWN NAME: Mini PCI Express Stand Off


PRODUCT NO. 119A-NUT-40-R02

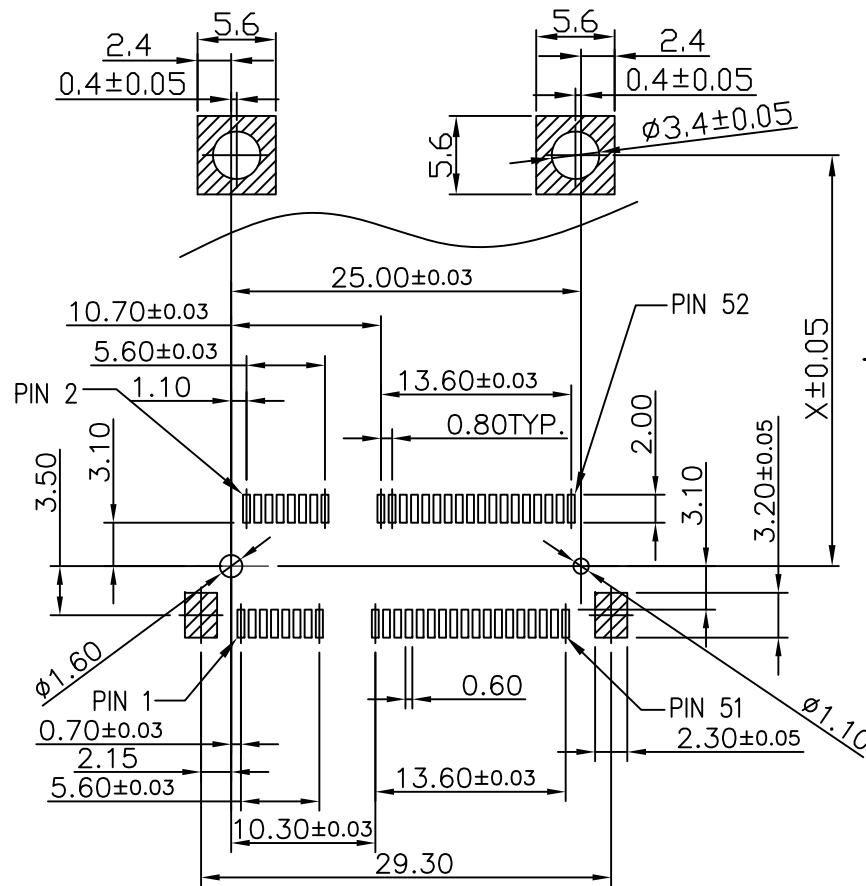
- △ Revise:
- △ Revise:
- △ Revise:

REV.	DESCRIPTION	DATE	REV.	DESCRIPTION	DATE	SIZE	REV.	FILE NAME
1			4			A4	1.0	119A-NUT-40-R02_D_2

REV.	DESCRIPTION	DRAWN	DATE
1	Initial Release	FROS	2014/12/03



UNLESS OTHERWISE SPECIFIED TOLERANCE					
UNIT:	DECIMAL	LINEAR	ANGLES		
mm	X.	±0.50	±5°	WWW.ATTEND.COM.TW	
	X.X	±0.25	±3°		
	X.XX	±0.12	±1°		
DRAWN	Fros	2014/12/03	DRAWN NAME:		
CHECKED	Ron	2014/12/03	PHYSICAL DIMENSIONS OF		
APPROVED	Albert	2014/12/03	PCI EXPRESS MINI CARD		
SCALE	1.6/1	SHEET	1/1	SIZE	A4
				PRODUCT NO.	
				FILE NAME	119A-CARD_1



Note:
 Standard Card: X=48.05mm
 (Card Length 50.95mm)

Short Card: X=23.90mm
 (Card Length 26.65mm)

Recommended P.C.Board Layout.

UNLESS OTHERWISE SPECIFIED TOLERANCE		
ANGLES	ANG.	±5°
LINEAR	0.	±0.3
	0.0	±0.25
	0.00	±0.20
SCALE	AS SHOWN	UNIT: mm
DRAWN	Willis	2012/08/03
CHECKED	Angel	2012/08/03
APPROVED	Ken	2012/08/03



www.attend.com.tw

REV.	DESCRIPTION	DATE	REV.	DESCRIPTION	DATE	SIZE	REV.	FILE NAME
1			4			A4	1.0	

DRAWN NAME:
 Mini PCI Express Socket Layout

PRODUCT NO.

