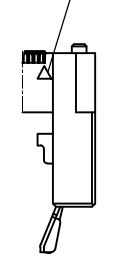
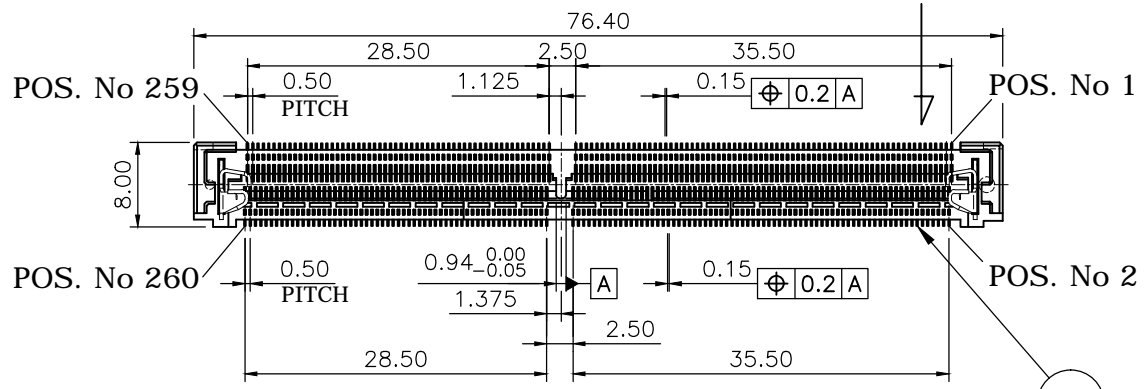


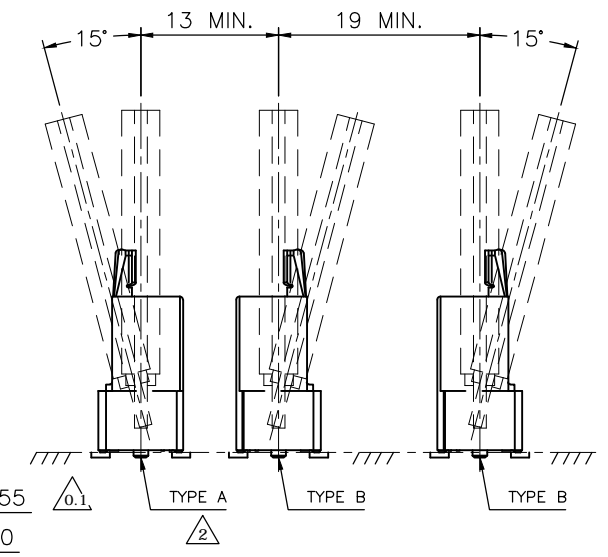
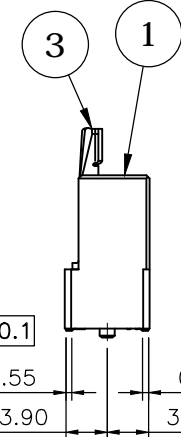
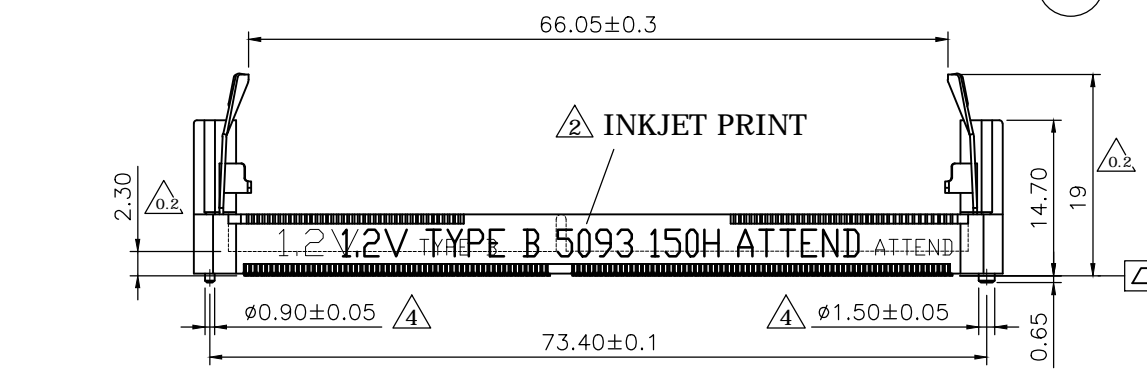
VIEW A PIN NO. 1 MARK



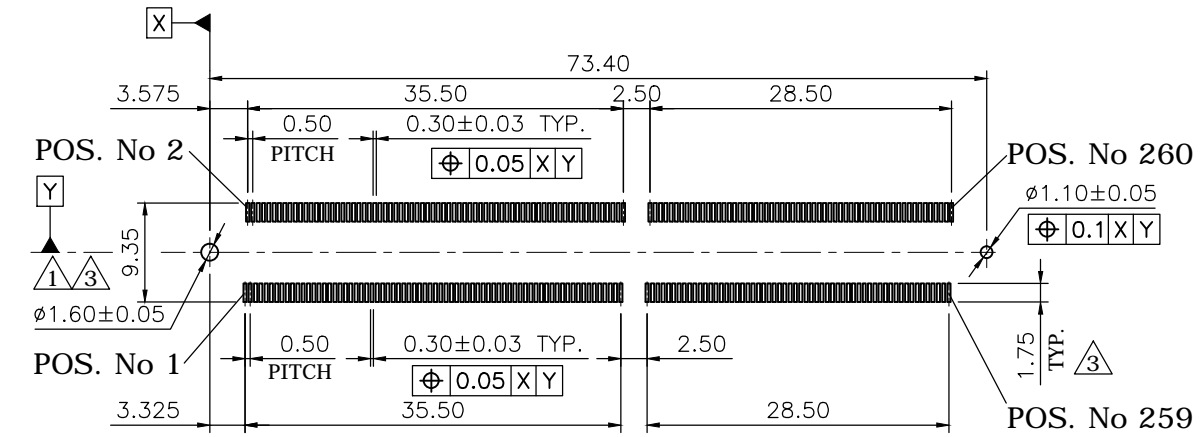
REV.	DESCRIPTION	DRAWN	DATE
2	Revised printing, misspelt word corrected.	FROS	2016/01/18
3	Revised layout 9.35 was 8.60	FROS	2016/05/30
4	Revised Peg & Mylar dims.	FROS	2016/07/25

PRINT: 1.2V TYPE B 5093 150H ATTEND


OPERATING VOLTAGE DATE CODE: 5093 (YWWD)
 Y : YEAR(2015)
 WW: WEEK (01-52)
 D : DAY (1-7)



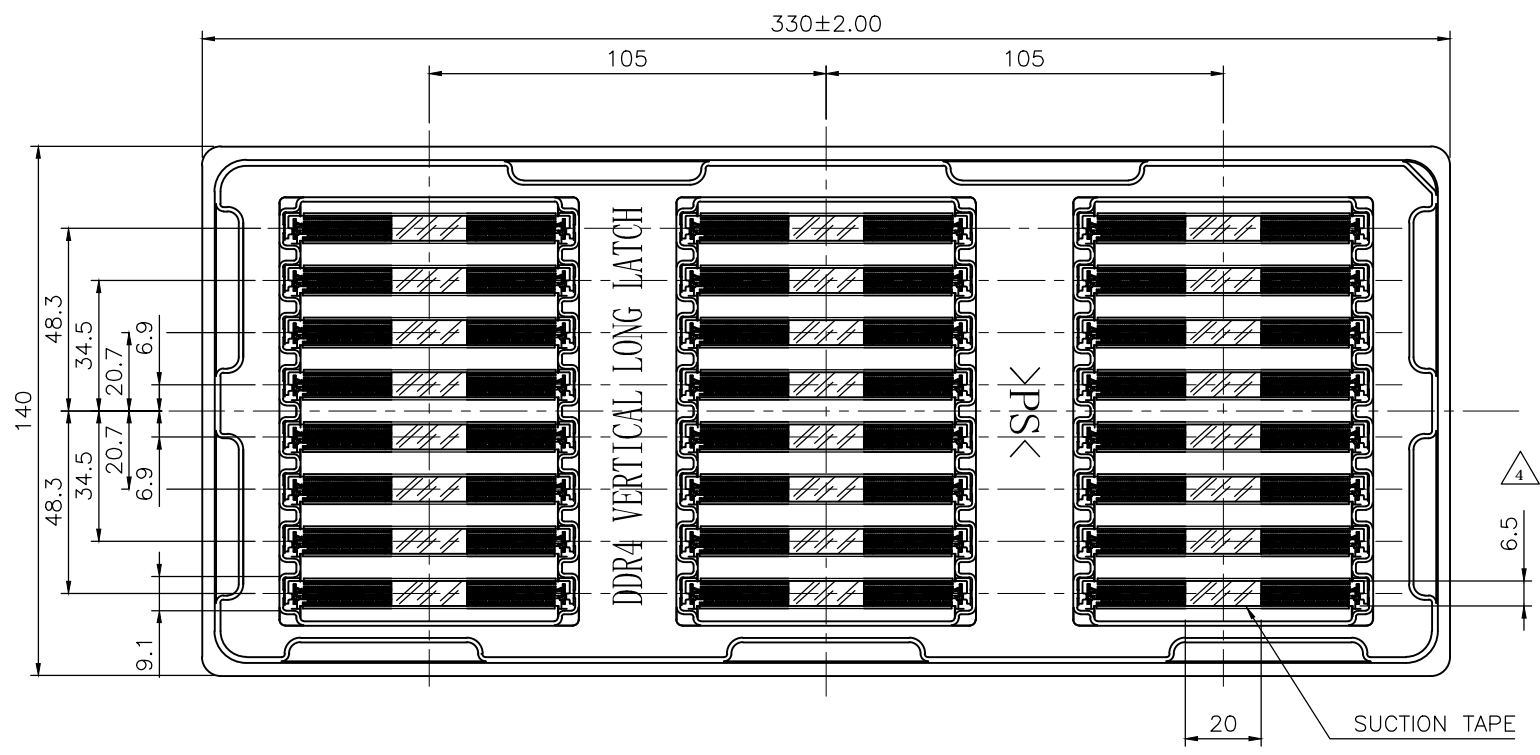
RECOMMENDED SOCKET MOUNTING LAYOUT



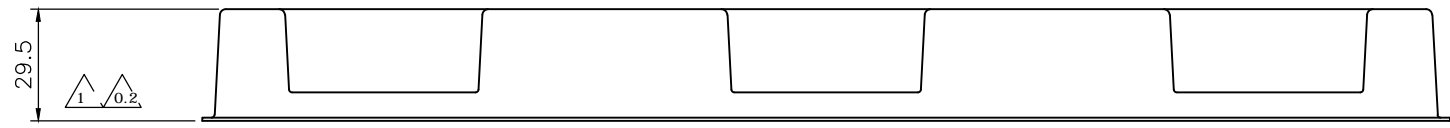
**RECOMMEND LAYOUT (TOP VIEW)
 GENERAL TOLERANCE: ±0.10**

3	LATCH	STAINLESS STEEL	
2	CONTACT	PHOSPHOR BRONZE, GOLD FLASH	
1	HOUSING	LCP, UL94V-0, BLACK	
NO.	PART NAME	DESCRIPTION	
UNLESS OTHERWISE SPECIFIED TOLERANCE			
UNIT:	DECIMAL	LINEAR	ANGLES
	X.	±0.50	±5°
	X.X	±0.25	±3°
	X.XX	±0.12	±1°
mm			
 WWW.ATTEND.COM.TW			
DRAWN	Fros	2015/02/16	DRAWN NAME:
CHECKED	Ron	2015/02/16	DDR4 VERTICAL SOCKET TYPE B FOR 260P DDR SO DIMM
APPROVED	Albert	2015/02/16	PRODUCT NO. 124B-150A10
SCALE	1.4	SHEET 1/2	SIZE A4
FILE NAME	124B-150A10_B_4		

REV.	DESCRIPTION	DRAWN	DATE
	SEE SHEET ONE		



NOTE:
 8X3= 24 PCS / TRAY
 4 TRAY / INNER BOX
 3 INNER BOX/ CARTON
 24X4X3= 288 PCS/ CARTON



UNLESS OTHERWISE SPECIFIED TOLERANCE					
UNIT:	DECIMAL	LINEAR	ANGLES		
mm	X.	±0.50	±5°		
	X.X	±0.25	±3°		
	X.XX	±0.12	±1°		
DRAWN	Fros	2015/02/16	DRAWN NAME: DDR4 VERTICAL SOCKET TYPE B FOR 260P DDR SO DIMM		
CHECKED	Ron	2015/02/16			
APPROVED	Albert	2015/02/16			
SCALE	1/2	SHEET	2/2	SIZE	A4
FILE NAME		124B-150A10_B_4			



WWW.ATTEND.COM.TW