

DIP PLUG Series

KLS1-205 DIP PLUG 2.54mm(0.100") /DC4(F.D)扁平电缆连接器

Electrical Characteristics:

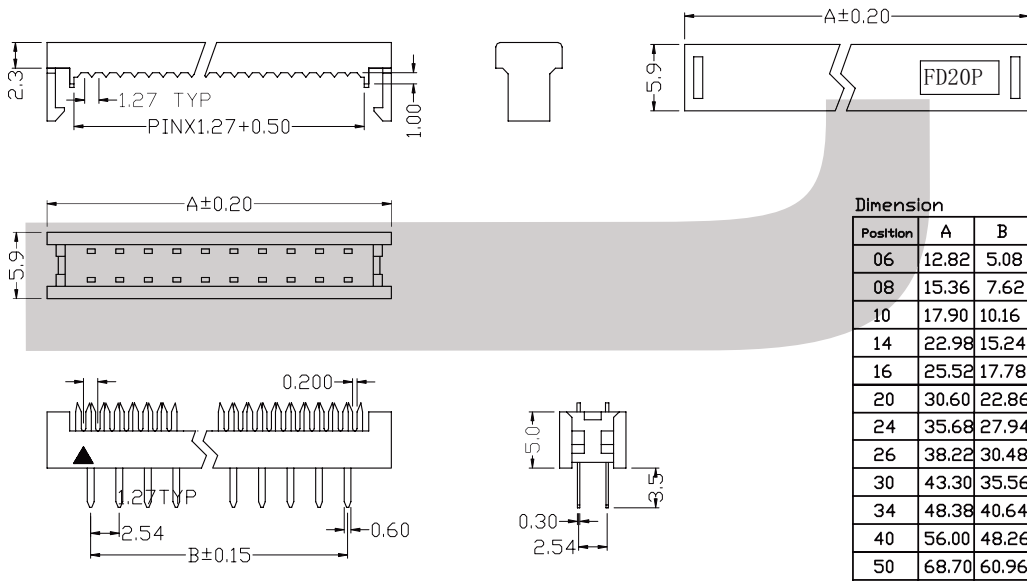
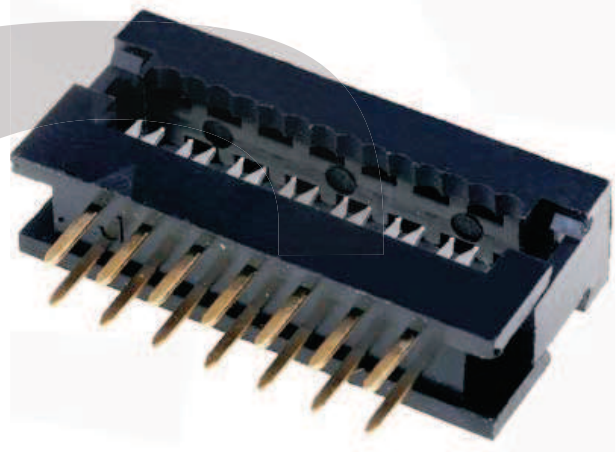
Current Rating: 1 AMP
Insulator Resistance: 5000MΩmin. at DC 500V
Contact Resistance: 20mΩmax. at DC 100mA
Operating Temperature: -45°C~+105°C

Material:

Housing: 30% Glass filled PBT UL94V-0
Contacts: Brass or Phosphor Bronze
Plating: Selective gold plated: gold plated on mating area and nickel plated on wire cutting area
Gold plated: 2u". over 50u" nickel
Tin plated: 100u". over 50u" nickel
Cable: 1.27mm(0.050") pitch flat cable

Features:

- * Fast connection of flat cable to PC board.
- * Recommended 28AWG 1.27mm(0.05") flat cable.
- * Plug directly into 2.54mmX2.54mm PC board.



ORDER INFORMATION

Product No.: KLS1-205-XX-B

Pos. No. _____ Insulator Color: B=Black G=Gray
DIP PLUG 2.54mm Series _____ Number of Contacts: XX=06-50Pin