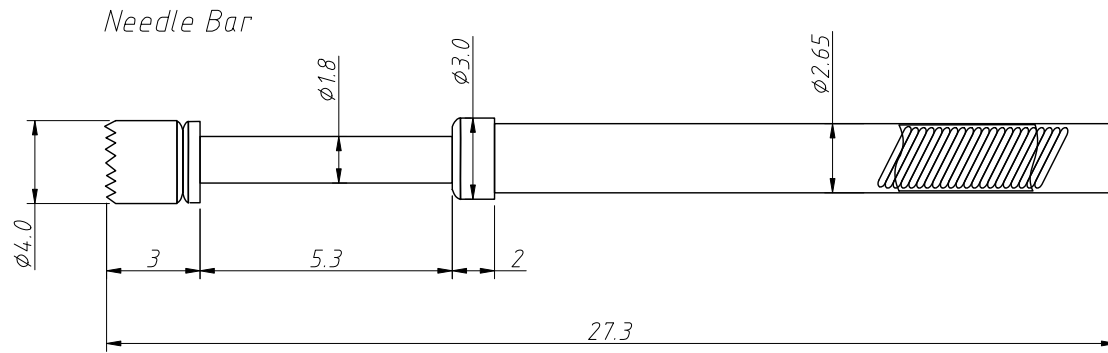


1  
RoHS Compliance



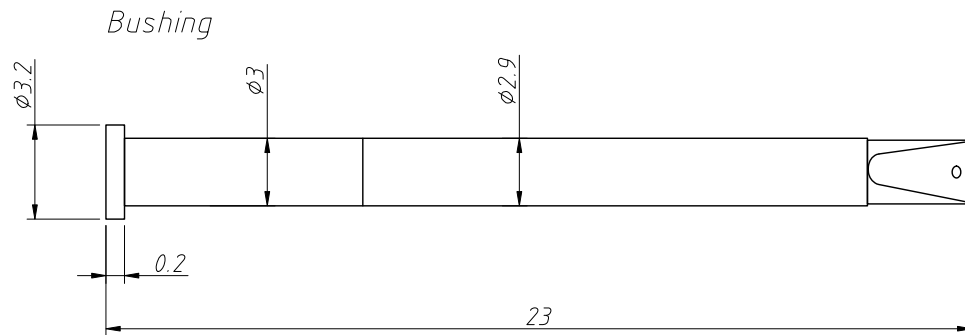
Notes:

1.Material:

Needle Bar:Beryllium Copper,Gold Plated  
 Needle Tubing:Phosphor Bronze,Gold Plated  
 Bushing:Brass,Gold Plated  
 Spring:Stainless Steel

2.Electric:

Drill Size:φ3.0mm  
 Rated Current:24A  
 Rated Resistance:20mΩ  
 Compaction Elasticity:450g  
 Max Travel:5.3mm  
 Work Temperature:-100°C~200°C



ANGLE TOLERANCE	PROJECTION	Description:	Probe Pin	
±3°				
GENERAL TOLERANCE	UNITS	mm	KLS P/N:	L-KLS1-S25-022-G
x.x ±0.30	SHEET SIZE	A4	XX	
x.xx ±0.20	Draw:	Daniel	2023-07-05	NingBo KLS ELECTRONIC CO.,L TD.
x.xxx ±0.10	Check:	Daniel	2023-07-05	