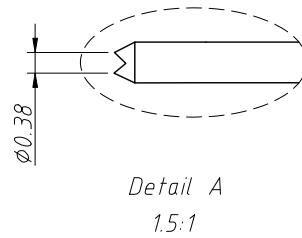
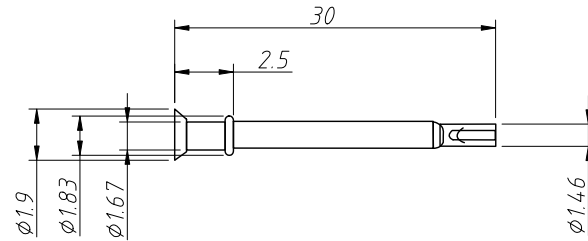
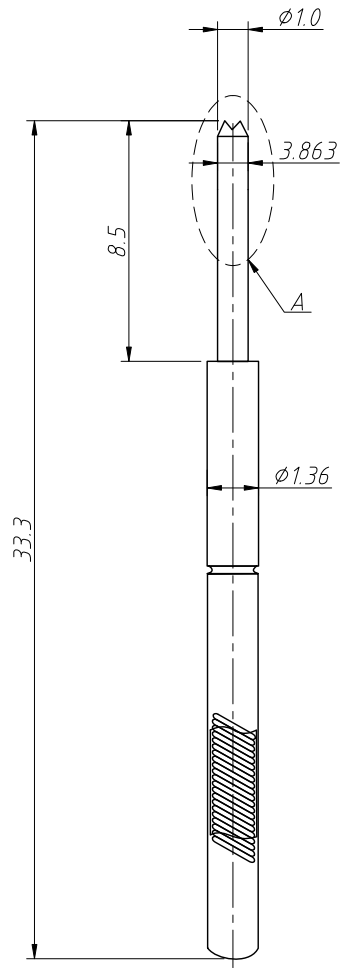


1
RoHS Compliance

Needle Bar

Bushing



Notes:

1.Material:

Needle Bar:

Imported Material: Beryllium Copper Plated
With Rhodium Or Gold

Domestic Material: Phosphor Bronze,
Nickel Plated Or Gold Plated

Needle Tubing: Phosphor Bronze, Gold Plated

Bushing: Brass, Gold Plated

Spring: Stainless Steel

2.Electric:

Drill Size: $\phi 1.70\text{mm}$

Rated Current: 3A

Rated Resistance: $50\text{m}\Omega$

Compaction elasticity: 180g(250g, 380g)

Max Travel: 6.50mm

ANGLE TOLERANCE	PROJECTION	Description:	Probe Pin	
$\pm 3^\circ$				
GENERAL TOLERANCE	UNITS	mm	KLS P/N:	L-KLS1-P25-1726-G
x.x ± 0.30	SHEET SIZE	A4	XX	NingBo KLS ELECTRONIC CO.,L TD.
x.xx ± 0.20	Draw:	Daniel	2023-07-05	
x.xxx ± 0.10	Check:	Daniel	2023-07-05	