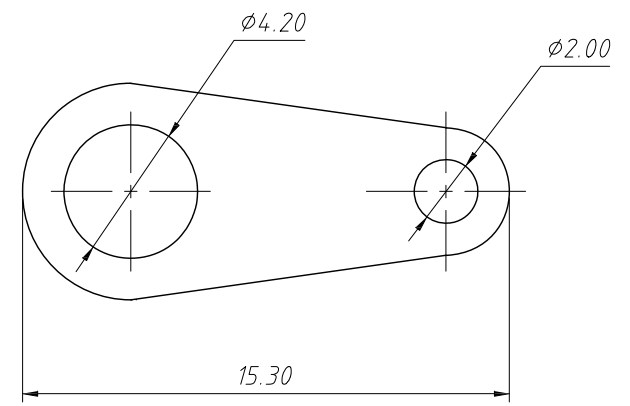
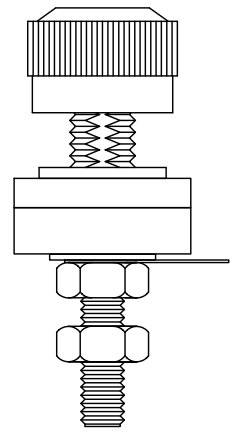
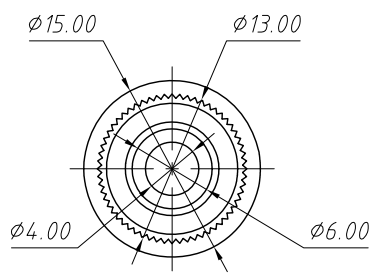
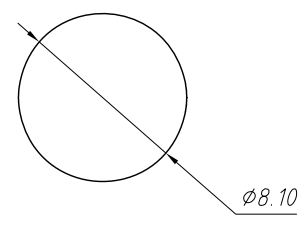
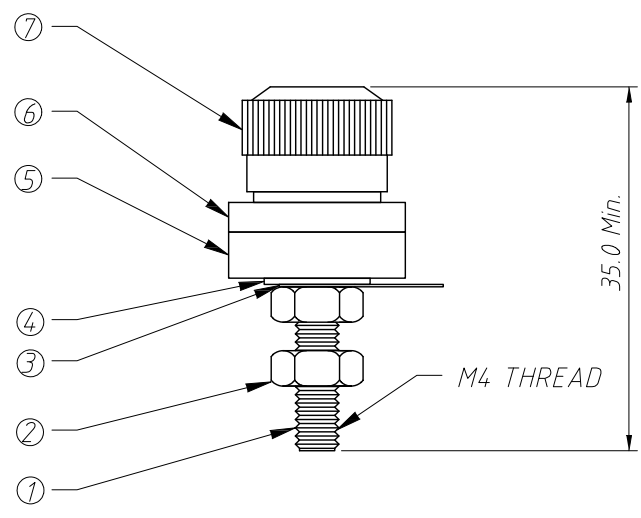


1
RoHS Compliance



Solder Terminal

Note:
RoHS JT-6130, Nickel Plated, Red



Panel Mount

Order Information:
L-KLS1-BIP-027-N-R
L: RoHS
Binding post
Serial number
Nickel Plated
Color:
B-Black R-Red

7	Block Shot	PBT+Steel	PCS	1
6	Bush 1	PBT	PCS	1
5	Bush 2	PBT	PCS	1
4	Washer	9.0x4.4x0.6mm,Steel,Zn plated	PCS	1
3	Solder Terminal	15.3x6.5x0.2mm,steel,Tin plated	PCS	1
2	NUT	Nut,M4,Nickel plated	PCS	2
1	Screw Body	Zn,Nickel plated	PCS	1
ITEM	PART NAME	Description	UNIT	Q'TY

GENERAL TOLERANCE	PROJECTION		Description:
.X ±0.50	UNITS	mm	M4x35mm, Binding Post Connector
.X ±0.25	SCALE	1:1.5	
.XX ±0.10	Draw by:	Jenny	KLS P/N: L-KLS1-BIP-027-N-R
ANGLE TOLERANCE	Check by:		
.X ±5°	Date	2021-04-15	NingBo KLS ELECTRONIC CO.,L TD.
.X ±3°	SHEET	1 OF 1	
.XX ±2°			