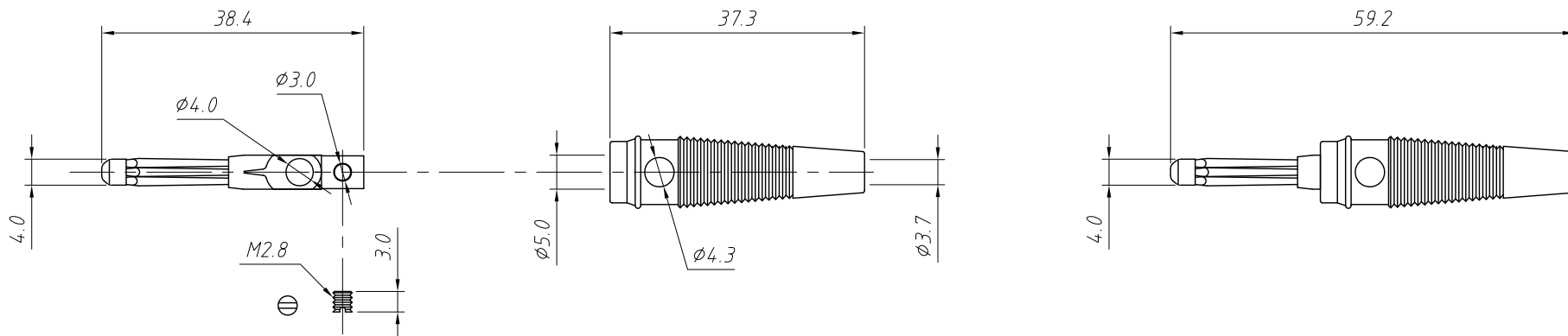
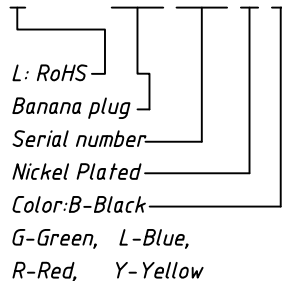


1  
RoHS Compliance



Order Information:  
L-KLS1-BAP-6033-N-R



Note:  
RoHS JT-6033, Nickel Plated, Bagged

GENERAL TOLERANCE	PROJECTION		Description:
.X ±0.50	UNITS	mm	4mm Banana plug
.X ±0.25	SCALE	1:1	
.XX ±0.10	Draw by:	Jenny	KLS P/N: L-KLS1-BAP-6033-N-R
ANGLE TOLERANCE	Check by:		NingBo KLS ELECTRONIC CO.,L TD.
.X ±5°	Date	2021-04-15	
.X ±3°	SHEET	1 OF 1	
.XX ±2°			