

SPECIFICATION

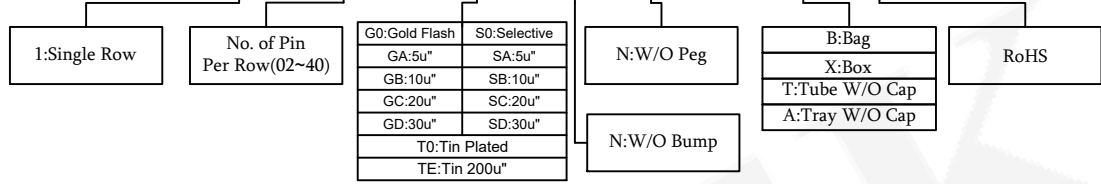
Current Rating: 3 AMP
 Insulation Resistance: 1000MΩ Min.
 Contact Resistance: 20mΩ Max.
 Dielectric Voltage: 500V AC for one minute
 Operation Temperature:-40°C to +105°C

MATERIAL

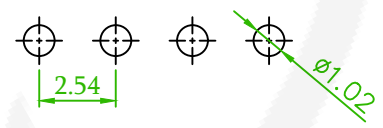
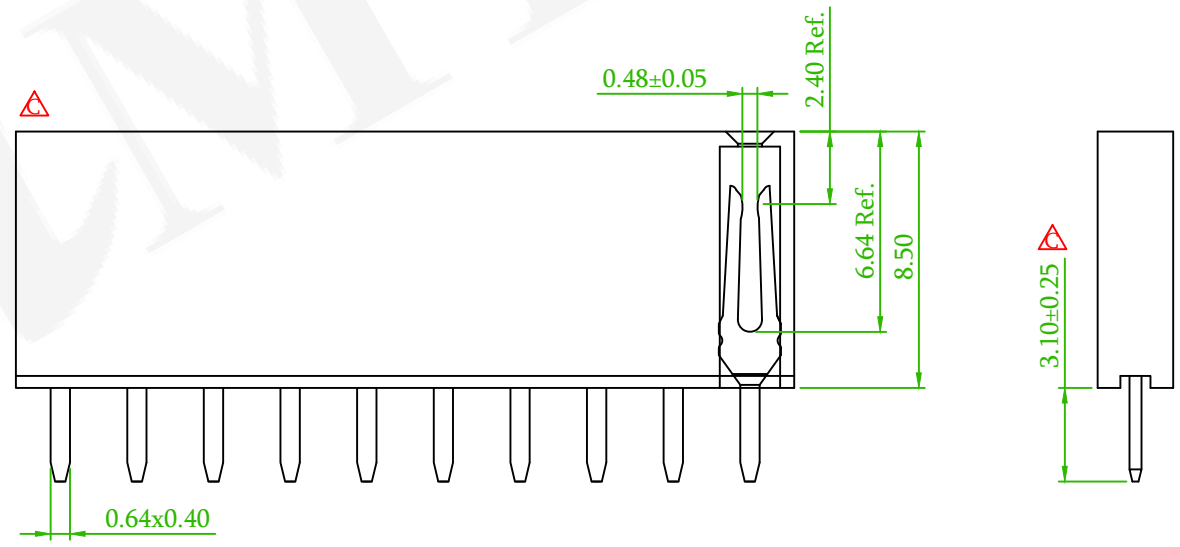
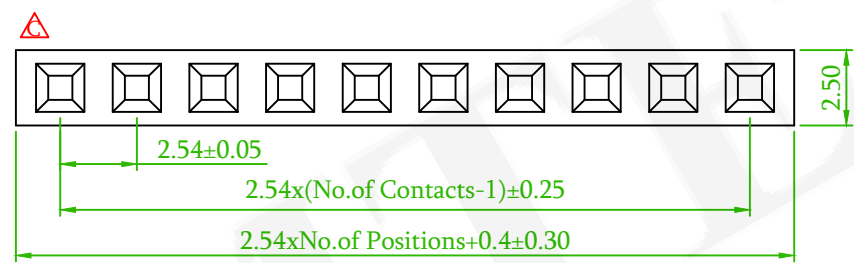
Insulator:PBT, UL94V-0, Black
 Contact Pin:Copper Alloy

ORDER INFORMATION


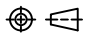
5 P S 1 S D D 8 5 - 1 X X X X N N N X L - 0 0



AMTEK 耀德
 2021.03.25
 Released DCC



△ Recommended PCB Layout
 (PCB TOLERANCE ±0.05)

 耀德精密有限公司 Amtek Technology Co., Ltd. TEL: 886-2-2260-6878 FAX: 886-2-2260-8030	品名 TITLE	FEMALE HEADER 2.54mm			頁數 Page	1/1
	品號 PART NO.	5PS1SDD85-1XXXXNNNXL-00			繪圖 DRAWN	Roy 2017/07/28
	圖號 DRAWING NO.	GN110-RL899	版本 REV.	C	核對 CHECKED	Carol 2017/07/28
	客戶品號 CUSTOMER P/N		比例 SCALE	None	承認 APPROVED	Jason 2017/07/28
	公差 TOLERANCE	.X ± 0.38 .XX ± 0.25	單位 UNIT	mm	THIRD ANGLE PROJECTION	

△X4	ECN NO.:210308 Revise the Drawing	Alice	2021/04/09
△X1	Add a A:Tray W/O Cap	Andy	2017/09/18
REV.	ECN NO. OR DESCRIPTION	REVISED	DATE