

Numbering system:
 0919 5XX X82X 741

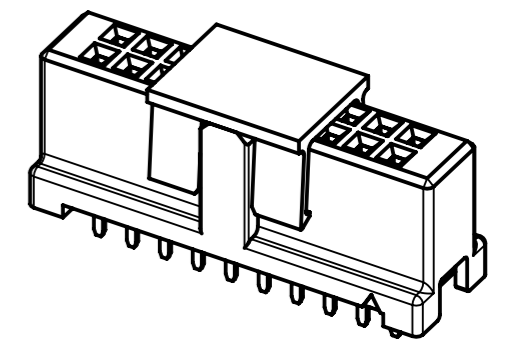
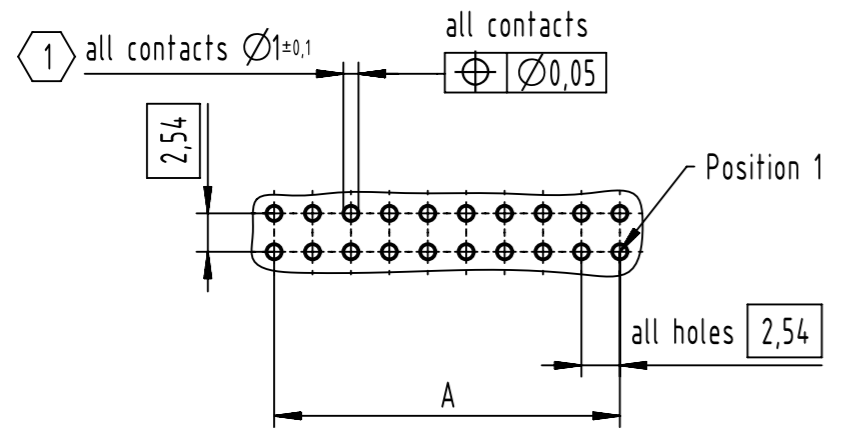
— Contact length:
 2: contact length= 4,5mm
 4: contact length= 2,9mm

— Performance level:
 6=PL2
 7=PL3
 5=S4(NM30)

— Number of contacts

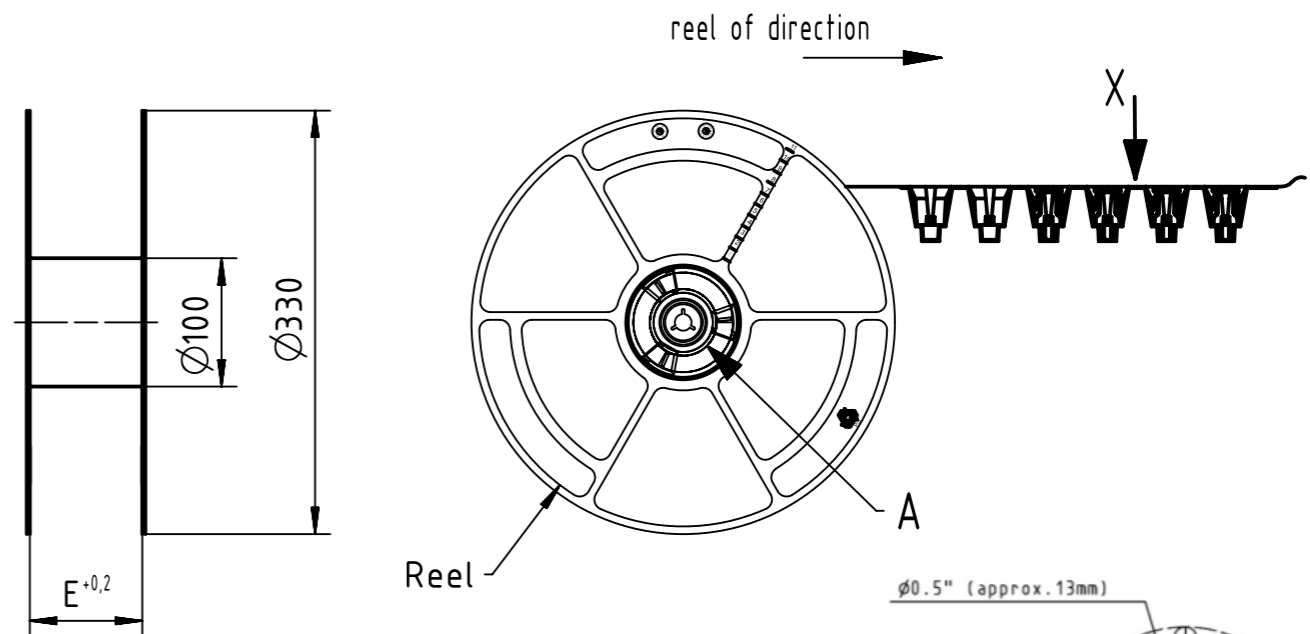
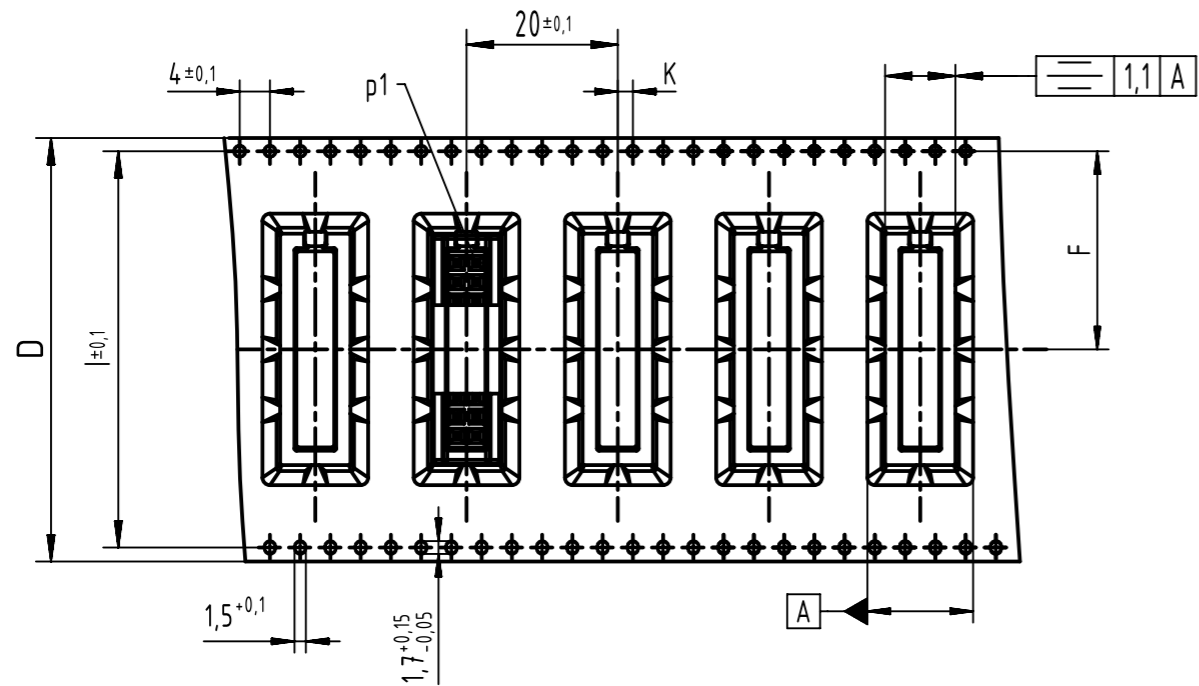
Number of contacts(P)	Part number	Dim A	Dim B	Dim C	Packing quantity	
6	0919 506 X824 741	5,08	12,42	2,9	160pcs/reel	
10	0919 510 X824 741	10,16	17,5		160pcs/reel	
14	0919 514 X824 741	15,24	22,58		160pcs/reel	
16	0919 516 X824 741	17,78	25,12		160pcs/reel	
20	0919 520 X824 741	22,86	30,2		160pcs/reel	
26	0919 526 X824 741	30,48	37,82		160pcs/reel	
30	0919 530 X824 741	35,56	42,9		160pcs/reel	
34	0919 534 X824 741	40,64	47,98		160pcs/reel	
40	0919 540 X824 741	48,26	55,6		160pcs/reel	
50	0919 550 X824 741	60,96	68,3		160pcs/reel	
60	0919 560 X824 741	73,66	81		160pcs/reel	
64	0919 564 X824 741	78,74	86,08		160pcs/reel	
6	0919 506 X822 741	5,08	12,42		4,5	160pcs/reel
10	0919 510 X822 741	10,16	17,5			160pcs/reel
14	0919 514 X822 741	15,24	22,58	160pcs/reel		
16	0919 516 X822 741	17,78	25,12	160pcs/reel		
20	0919 520 X822 741	22,86	30,2	160pcs/reel		
26	0919 526 X822 741	30,48	37,82	160pcs/reel		
30	0919 530 X822 741	35,56	42,9	160pcs/reel		
34	0919 534 X822 741	40,64	47,98	160pcs/reel		
40	0919 540 X822 741	48,26	55,6	160pcs/reel		
50	0919 550 X822 741	60,96	68,3	160pcs/reel		
60	0919 560 X822 741	73,66	81	160pcs/reel		
64	0919 564 X822 741	78,74	86,08	160pcs/reel		

PCB layout, component side

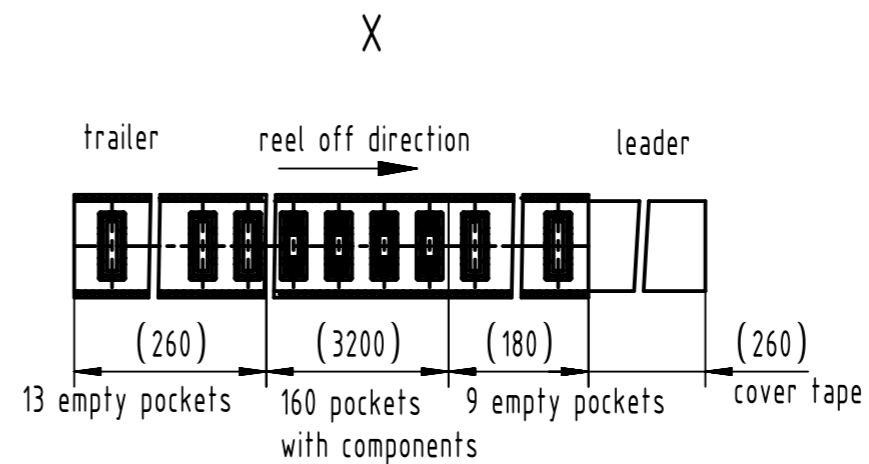


1 Recommended configuration of plated through holes and further information see product data sheet

	All rights reserved	Created by SHENGJ	Inspected by WANGSTE	Standardisation 302077	Date 2021-05-24	State Final Release
	Department EL PD	Title SEK 19 Fe solder straight THR tape&reel - mezzanine		Doc-Key / ECM-Nr. 100919598/UGD/001/A 500000194173		
HARTING D-32339 Espelkamp		Type TB	Number 09195XXX82X741		Rev. A	Page 1/2



Number of contacts	Tape dimensions:				Reel dimensions:
	D	F	I	K	E
06	32,0±0,3	14,2±0,1	28,4	2±0,1	32,4
10					
14	44,0±0,3	20,2±0,15	40,4	2±0,15	44,4
16					
20	56,0±0,3	26,2±0,15	52,4	2±0,15	56,4
26					
30	72,0±0,3	34,2±0,3	68,4	2±0,2	72,4
34					
40					
50	88,0±0,3	42,2±0,3	84,4	2±0,2	88,4
60					
64	104,0±0,3	50,2±0,35	100,4		104,4



	All rights reserved Department EL PD	All Dimensions in mm Original Size DIN A3		Scale 1:1	Free size tol. complementary IEC 60603-13	Ref. Sub.
		Created by SHENGJ Inspected by WANGSTE Standardisation 302077 Date 2021-05-24 State Final Release	Title SEK 19 Fe solder straight THR tape&reel - mezzanine Type TB Number 09195XXX82X741		Doc-Key / ECM-Nr. 100919598/UGD/001/A 500000194173 Rev. A Page 2/2	