



Female Header 2.54mm Straight / Straight With Bump / Triple Contact Straight / Dual Entry Type

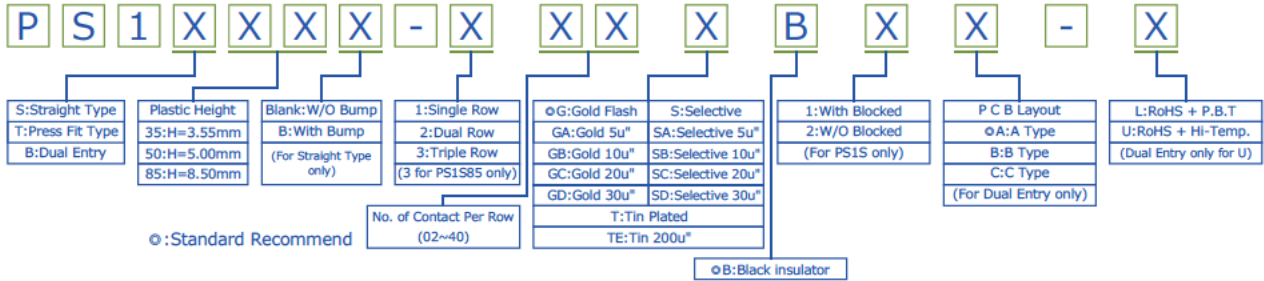
Specifications

Current Rate: 3 AMP
 Insulation Resistance: 1000MΩ Min.
 Contact Resistance: 20mΩ Max.
 Dielectric Voltage: 1000V AC for one minute
 Operation Temperature: -40°C to +105°C

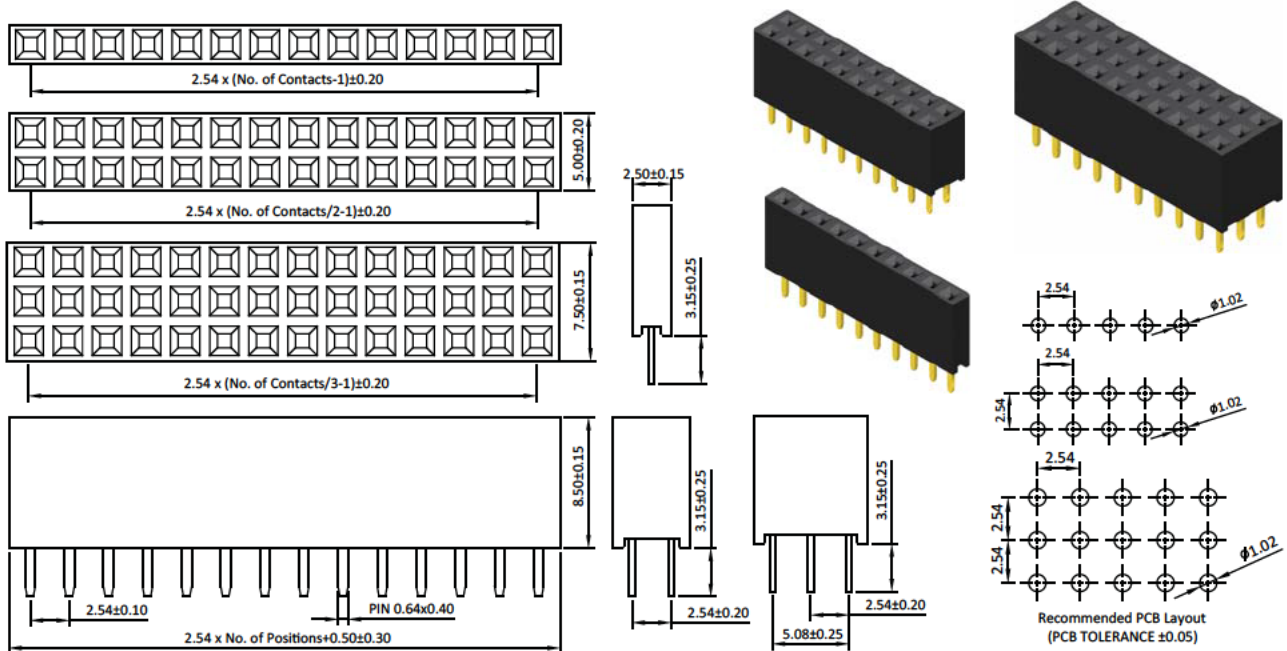
Material

Insulator: P.B.T or Hi-Temp. Thermoplastic, UL 94V-0
 Terminal: Copper Alloy
 Plating: Gold Plated

ORDER INFORMATION

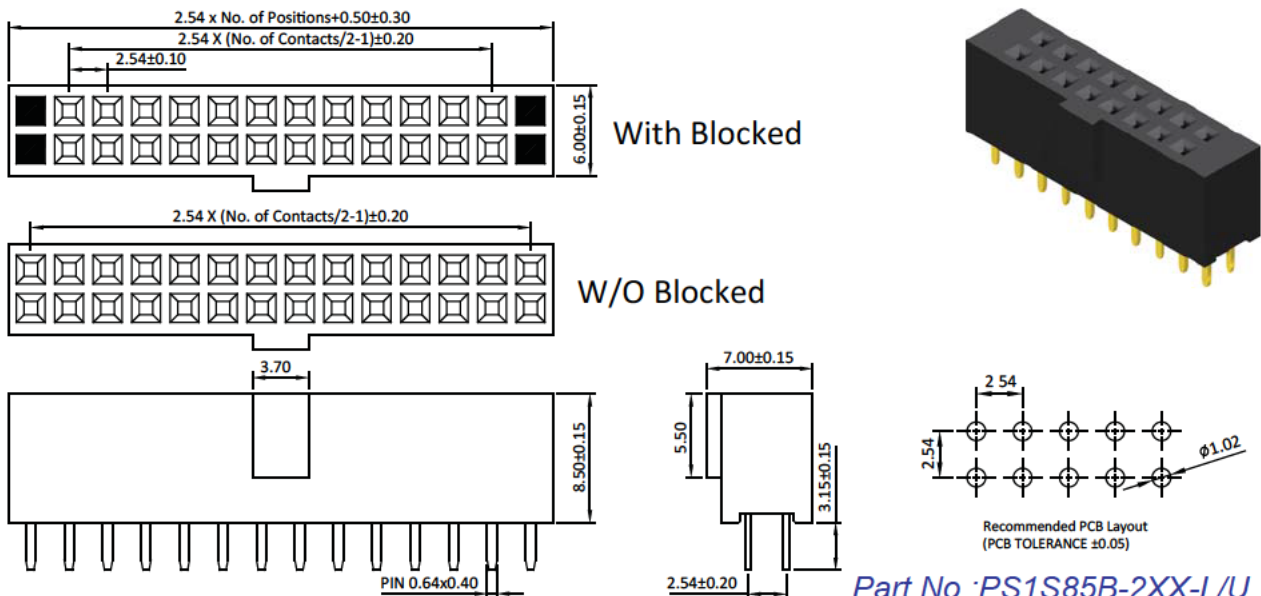


Female Header 2.54mm 1 & 2 & 3 Row H=8.5mm Straight Type



Part No.: PS1S85-1/2/3XX-L/U

Female Header 2.54mm 2 Row H=8.5mm With Bump Straight Type



Part No.: PS1S85B-2XX-L/U

Female Header 2.54mm

RoHS