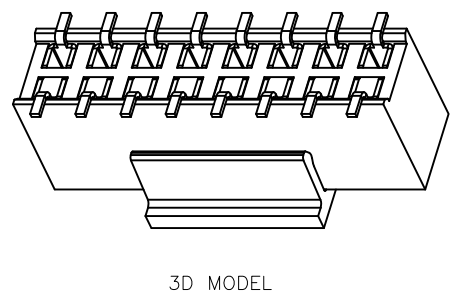
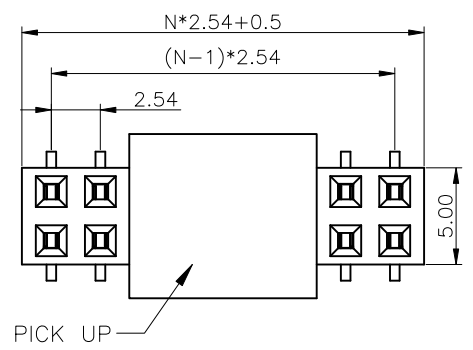
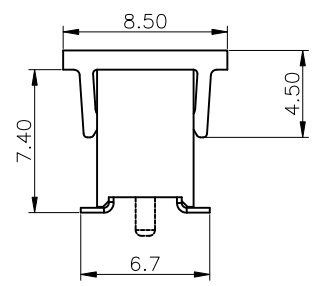
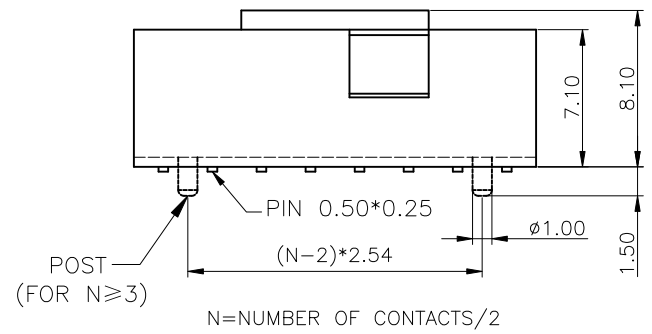


REV.	DESCRIPTION	DRAWN	CHECKED	APPROVED
A	NEW RELEASE	YCH 01/24/08'	~	LJC 01/24/08'
B	Arrange Drawing	JLZ 05/16/15'	~	LJC 05/16/15'
C	DRAWING UPDATE	JLZ 03/02/17'	~	



NOTES:

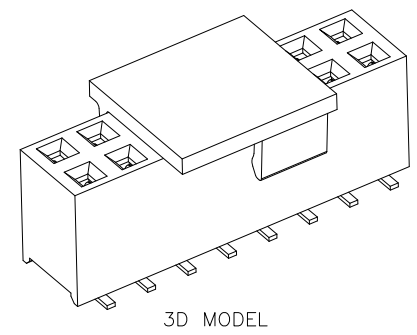
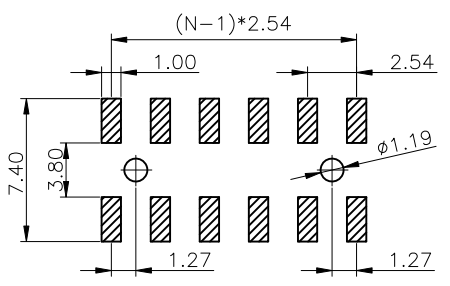
- MATERIAL
  - INSULATOR MATERIAL:THERMOPLASTIC(UL 94V-0).
  - CONTACT MATERIAL:COPPER ALLOY.
- SPECIFICATION
  - TEMPERATURE: -40°C~+105°C.
  - DIELECTRIC WITHSTANDING VOLTAGE:AC 500V AC.
  - INSULATION RESISTANCE:1000MΩ min.
  - CONTACT RESISTANCE:20mΩ max.
  - CURRENT RATING:3A.
- PART NUMBER: DS1023-11



4. PRODUCT NUMBER CODE:

DS1023-11 - X X X X X X

- POST SUPPORT  
S:W/ POST  
X:W/O POST
- PACKING TYPE  
R:TAPE ON REEL  
B:TUBE
- PICK UP SUPPORT  
S: W/  
X: W/O
- CONTACT PLATING  
8: FULL GLOD FLASH
- HOUSING COLOR  
B: BLACK
- No. of Contacts  
2\*2 - 2\*40



GENERAL TOLERANCE		ANGLE TOLERANCE		PROJECTION		TITLE	FEMALE HEADER PITCH	
X.	±0.60	X.	±5°	UNITS	mm		2.54mm SMT TYPE H=7.1mm	
.X	±0.38	.X	±3°	SHEET SIZE	A4	SERIES	DS1023-11 SERIES	
.XX	±0.25	.XX	±2°	<b>晨翔电子有限公司</b> <b>CONFLY CONFLY ELECTRONIC CO. LTD</b>				
DRAWING TYPE		CUSTOMER						
SCALE	1:1	SHEET	1 OF 1					
DRAWING NO.		C-DS1023-11-XXXXXX-C						