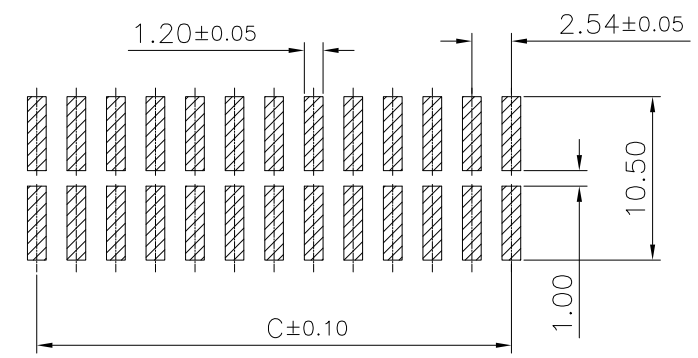


Specifications:
 Current Rating:3.0A AC,DC
 Voltage Rating:250V AC, DC
 Contact Resistance:20m ohm Max
 Insulation Resistance:1,000M ohm Min
 Withstanding Voltage:600V AC/minute
 Operating Temperature Range:-40°C ~ +105°C

Materials:
 Insulator:High Temp. Plastic (Nylon 6T UL94V-0)
 Insulator Color:Black
 Terminal:pper Alloy
 Finish:Gold Plated Over Nickel

Dimensions:

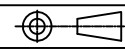
Pos	Dim A	Dim B	Dim C	Pos	Dim A	Dim B	Dim C
6	15.24	12.94	5.08	26	40.64	38.34	30.48
8	17.78	15.48	7.62	30	45.72	43.42	35.56
10	20.32	18.02	10.16	34	50.80	48.52	40.64
12	22.86	20.56	12.70	40	58.46	56.14	48.26
14	25.10	23.10	15.21	50	71.12	60.96	68.82
16	27.94	25.64	17.78	60	83.82	73.66	81.52
20	33.02	30.72	22.86	64	88.90	78.74	86.60
24	38.10	35.80	27.94				

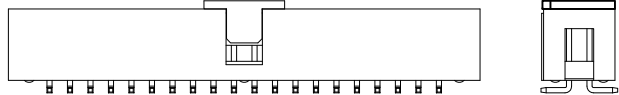
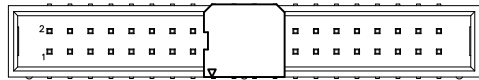


Recommended PCB Layout

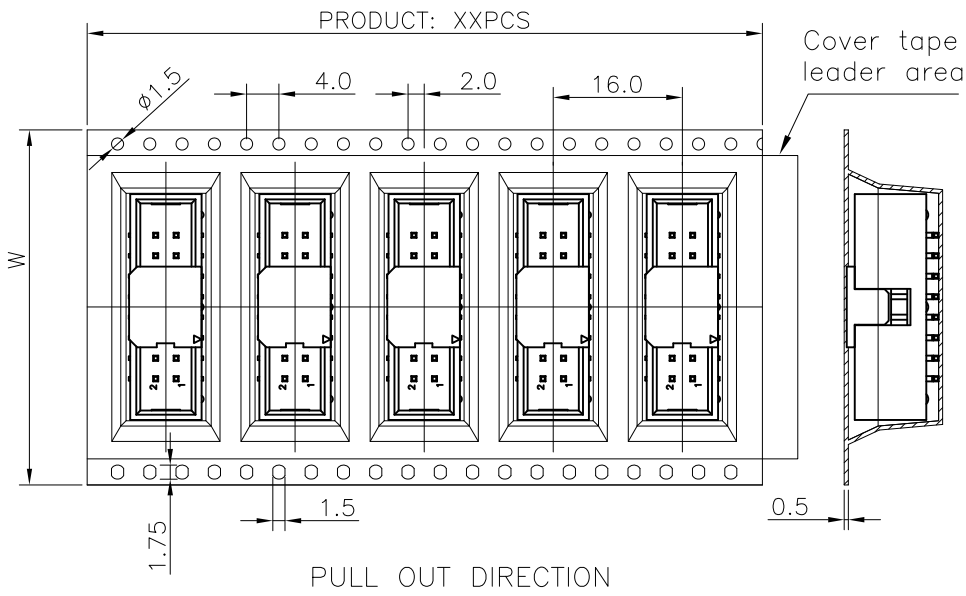
RoHS Compliant

				DRAWN:	GENERAL TOLERANCE: .X=±0.20 .XX=±0.15	<h1 style="color: red; text-align: center;">CnC Tech</h1> <p style="text-align: center;">Industrial Cable and Connector Technology</p>	
				CHECKED:	UNIT: MM		
B	06-May-2019	Modify Cap			SCALE:1:1	IDC BOX HEADER,0.100"(2.54mm),SMT	SIZE
A	09-May-2016			APPROVAL:	SHEET: 1 / 2	PART NO:	A4
REV	DATE	FILE	BY		PROJECTION:	3020-XX-0300-00-TR	

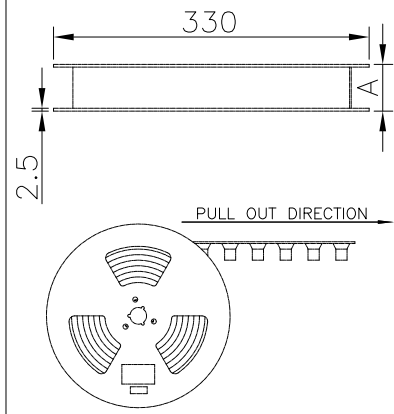




2316SM-XXX-CR



For Reel width (dimension W) 32,44,56,72mm ,Double rows hole



- Note:
- 1.All dimensions meet EIA-481-3 requirements.
 - 2.Material: Black Conductive Polystyrene Alloy 100% recyclable.
 - 3.Thickness: 0.50±0.05mm
 - 4.Component load per 13" reel :300 pcs.
 - 5.Carton Size:350*350*296(MM)
 - 6.產品有開口方向在卷裝拉出時開口方向朝外面

Pin No	W	A	PCS/R	R/CTN	Q'TY
06	32	37	300	7	2100
08	32	37	300	7	2100
10	44	49	300	5	1500
12	44	49	300	5	1500
14	44	49	300	5	1500
16	44	49	300	5	1500
20	56	61	300	4	1200
24	56	61	300	4	1200
26	72	77	300	3	900
30	72	77	300	3	900
34	72	77	300	3	900
40	72	77	300	3	900

RoHS Compliant

REV	DATE	FILE	BY
B	06-May-2019	Modify Cap	
A	09-May-2016	(P0001)	

DRAWN:
CHECKED:
APPROVAL:

GENERAL TOLERANCE:
.X=±0.2
.XX=±0.15
UNIT: MM
SCALE:
SHEET: 2 / 2
PROJECTION:

CnC Tech
Industrial Cable and Connector Technology
DESCRIPTION:
IDC BOX HEADER,0.100"(2.54mm),SMT
PART NO:
3020-XX-0300-00-TR

SIZE
A4