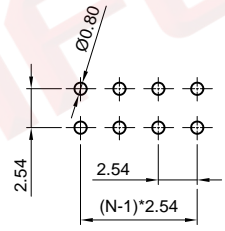
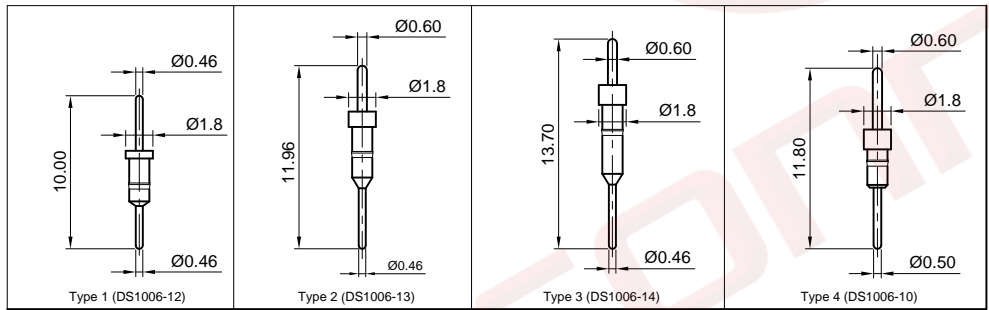
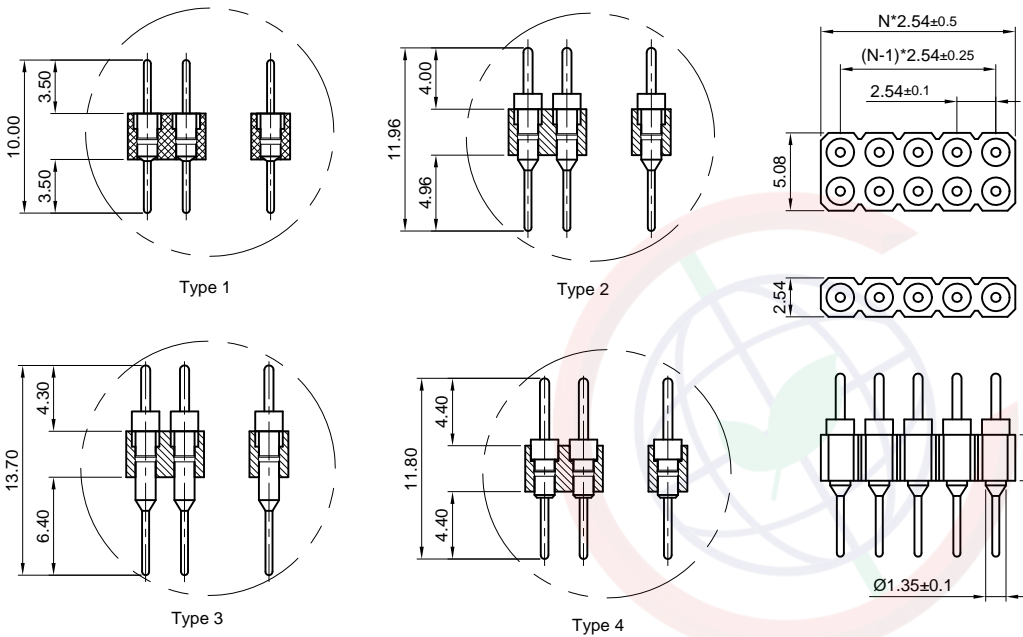


Dept	
Qty	
DC	1
ED	1
IE	1
ISO	1
PD	1
R&D	1
SD	1
QA	1
QC	1
QF	1

The information provided herein is from CONNELY Electronic Co., Ltd. and is confidential. Any disclosure to a party other than the recipient is prohibited. The intellectual properties and its rights contained herein, including but not limited to, trademarks, patents, copyrights, trade secrets, and technical know-how, are owned exclusively by CONNELY or its affiliates. Unauthorized use or reproduction of any part of this document is strictly prohibited. CONNELY may enforce its intellectual property rights at its own discretion, failures or delays to exercise such rights does not constitute a waiver of such rights.

REV.	DESCRIPTION	DRAWN	CHECKED	APPROVED
A	NEW RELEASE	LJH 03/30/06'	~	LJC 03/30/06'
B	DRAWING UPDATE	YCH 10/18/10'	~	LJC 10/18/10'
C	DRAWING UPDATE	JLZ 07/23/18'		

- NOTES:
- Electrical characteristics:
    - Contact resistance: 20mΩ Max. Initial.
    - Dielectric withstanding voltage: 500V AC(rms) for 1 minute.
    - Insulation resistance: 1000MΩ Min.
  - Environment characteristics:
    - Temperature: -40°C~+105°C.
  - Part number: DS1004
  - Product number code:  
 DS1004 - X X X  
 Contact type  
 1: Type 1      3: Type 3  
 2: Type 2      4: Type 4  
 Contact plating  
 F1: Full gold flash  
 No.of contacts  
 1x1 - 1x40  
 2x2 - 2x40



Recommened PCB layout  
(Tolerance:±0.05)


N=No.of contacts(Single row)  
N=No.of contacts/2(Double row)



(Series Image-Reference Only)

GENERAL TOLERANCE		ANGLE TOLERANCE		PROJECTION	TITLE	
X.	±0.60	X.	±5°	UNITS	mm	
.X	±0.38	.X	±3°	SHEET SIZE	A4	
.XX	±0.25	.XX	±2°	DRAWING NO. C-DS1004-XXXXX-C		
DRAWING TYPE		CUSTOMER		DRAWING NO. C-DS1004-XXXXX-C		
SCALE		1:1		SHEET 1 OF 1		

PROJECTION		TITLE	
UNITS		mm	
SHEET SIZE		A4	
SERIES		DS1004 SERIES	

 **晨翔电子有限公司**  
CONNFLY CONNELY ELECTRONIC CO. LTD