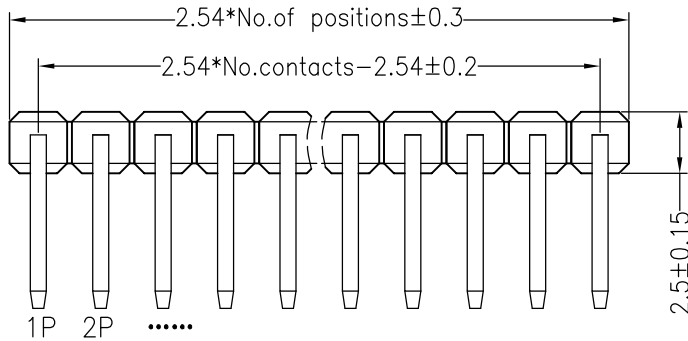


1 2 3 4 5 6 7 8 9

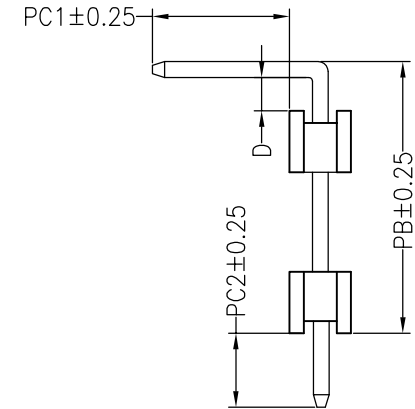
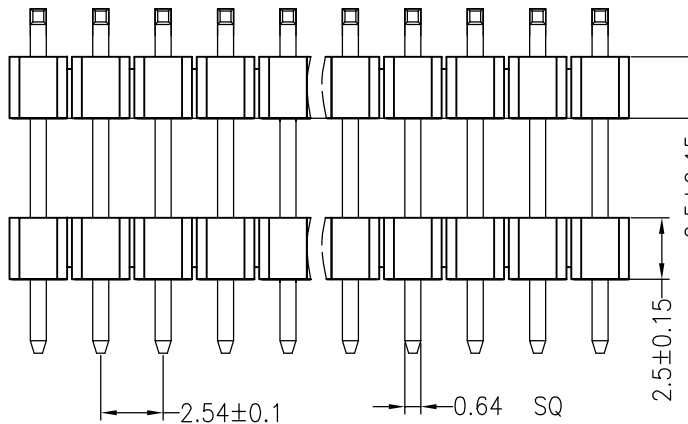
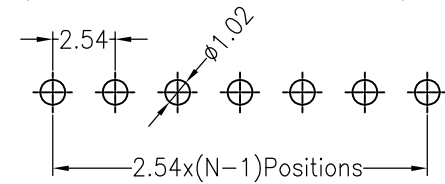
G
F
E
D
C
B
A

SPECIFICATIONS
 Rated Current:3.0AMP
 Contact Resistance:20mΩ Max
 Withstand Voltage:1000V AC/DC
 Insulation Resistance:1000MΩ Min
 Operation Temperature:-40°c to +105°c

Contact Material:Brass
 Contact Plating:Au Over Ni
 Insulator Material:Polyester(UL94V-0)
 Standard: PA6T
 Max.Processing Temp: 230°C for 30-6e0 seconds
 (260°C for 10 seconds)



Recommended P.C.B Layout(Top Side)
 (PCB BOARD TOLERANCE±0.05)



Dimension antitheses list					
ITEM	PC2	PC1	PB	D	L
Alternate	3.60	5.85	7.40	1.16	17.50

G
F
E
D
C
B
A

				OPERATION		DRAW	JinChengXin	18.12.17	SCALE	FIT	NINGBO KLS ELECTRONIC CO.,LTD		
				X.X	±0.30				UNIT	mm			
				X.XX	±0.20	CHECK	SIZE	A4	PART NO.	L-KLS1-218-1-04-R2-5.85*3.6*7.08			
				X.XXX	±0.10		SHEET	1/1	TITLE:	2.54mm Pin Header 2.5mm双塑 90°反弯			
AO	2018.12.17	NEW DRAWING		Angle	±3°	APPROVE			PROJ.	客户:			
REV	DATE	MODIFICATION DESCRIPTION		DIM	TOL								

1 2 3 4 5 6 7 8 9