

**SPECIFICATION**

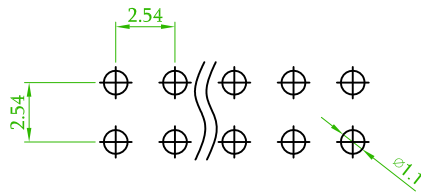
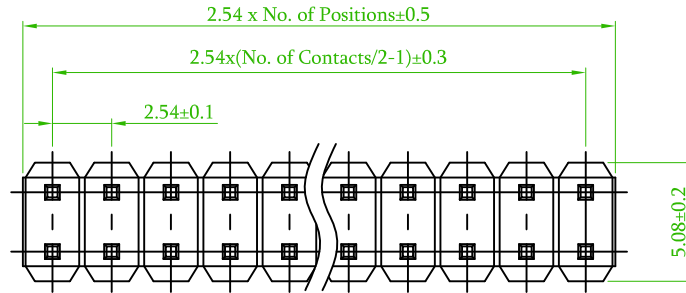
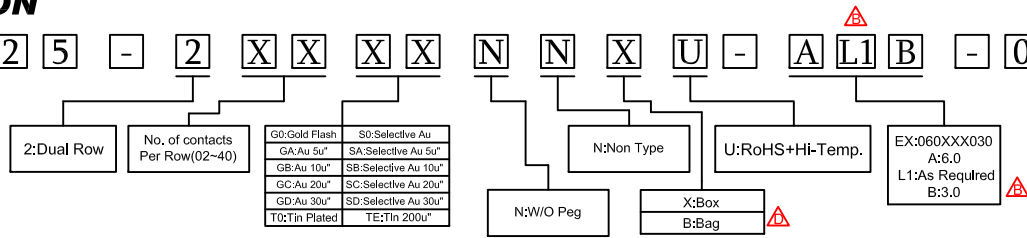
Current Rating: 3 AMP  
 Insulation Resistance: 1000MΩ Min.  
 Contact Resistance: 20mΩ Max.  
 Dielectric Voltage: 500V AC for one minute  
 Operation Temperature: -40°C to +105°C

**MATERIAL**

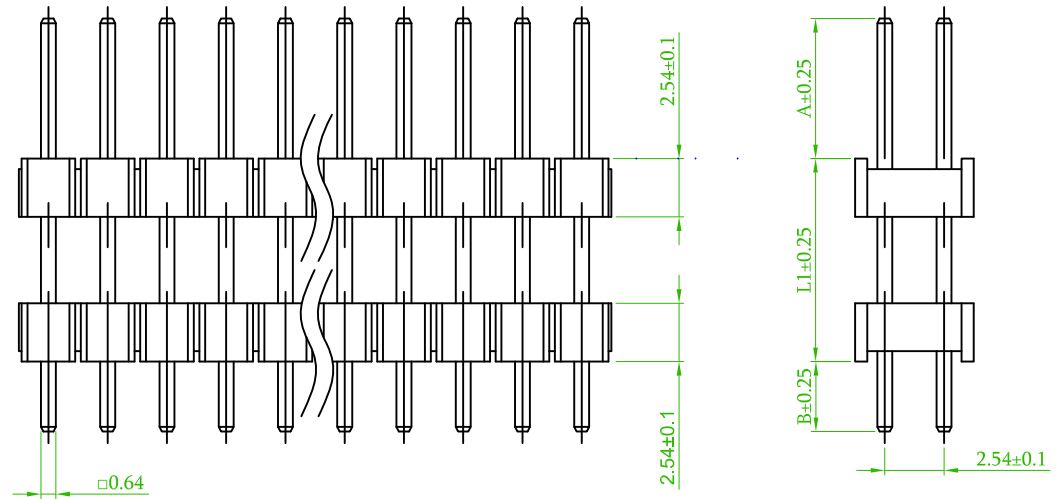
Insulator: Hi-Temp. Thermoplastic, UL94V-0, Black  
 Contact Pin: Copper Alloy

**ORDER INFORMATION**

5 P H 1 D D A 2 5 - 2 X X X X N N X U - A L 1 B - 0 0



Recommended PCB Layout  
 (PCB TOLERANCE ±0.1)



Old Part No. : PH1D25-2XX-U

△	ECN No.:180310, Remove the Cap & Revise the Package option .	Roy	2018/03/22
△	ECN No.:171201, Revise the Cap.	Roy	2017/12/01
△	Modify order information	Gary	2017/01/23
REV.	ECN NO. OR DESCRIPTION	REVISED	DATE

 耀德精密有限公司 Amtek Technology Co., Ltd. TEL: 886-2-2260-6878 FAX: 886-2-2260-8030	品名 TITLE	PIN HEADER 2.54mm D/R V/T DIP TYPE			頁數 Page	1/1
	品號 PART NO.	5PH1DDA25-2XXXXNXXU -XXXXXXXXXX-00			繪圖 DRAWN	Mia 2015/08/17
	圖號 DRAWING NO.	GN016-GA114	版本 REV.	D	核對 CHECKED	Josh 2018/03/22
	客戶品號 CUSTOMER P/N		比例 SCALE	None	承認 APPROVED	Jason 2018/03/22
	公差 TOLERANCE	.X ± 0.38 .XX ± 0.25	.X° ± 3	單位 UNIT	mm	THIRD ANGLE PROJECTION