

**SPECIFICATION**

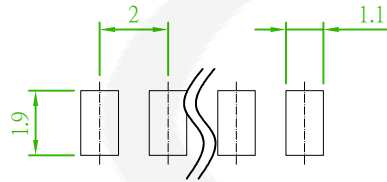
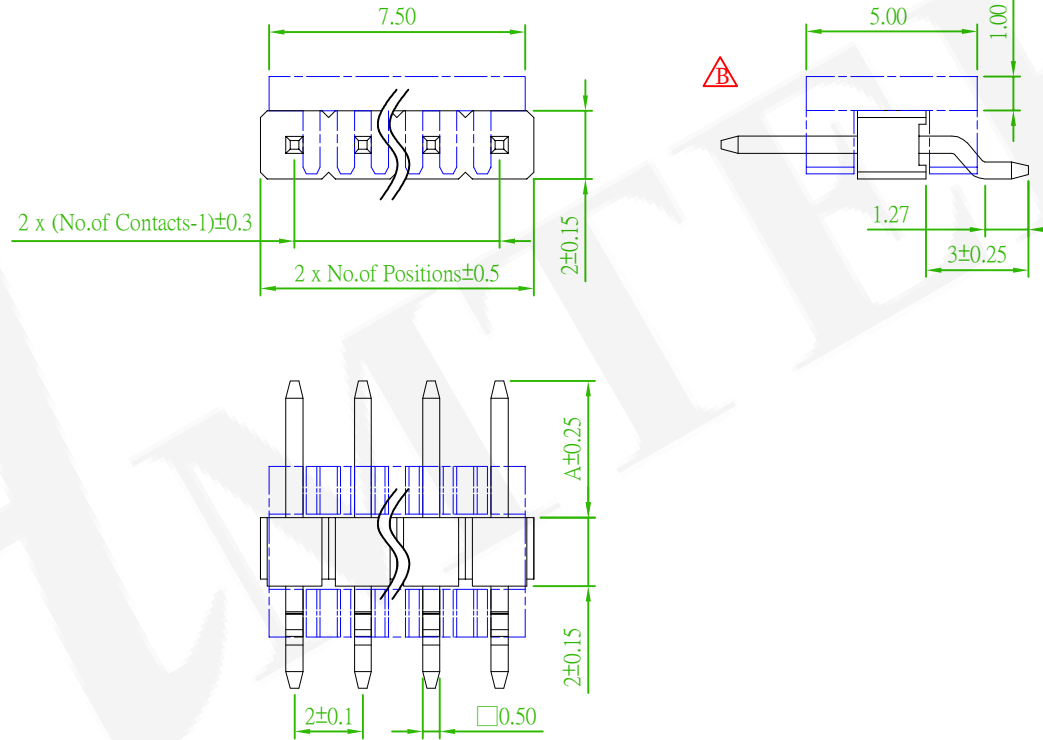
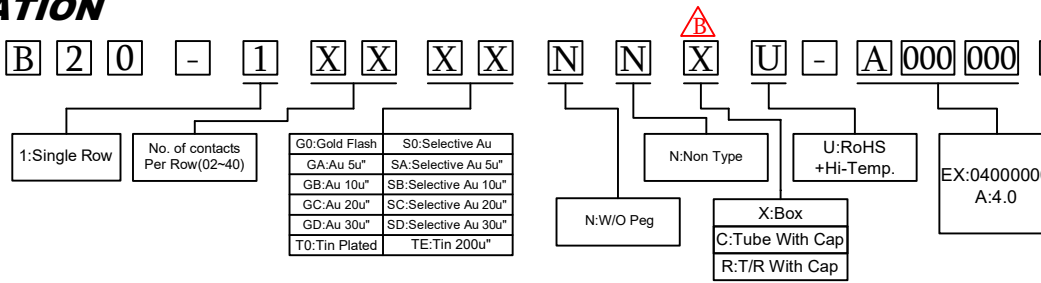
Current Rating: 2 AMP  
 Insulation Resistance: 1000M Ω Min.  
 Contact Resistance: 20m Ω Max.  
 Dielectric Voltage: 500V AC for one minute  
 Operation Temperature: -40°C to +105°C

**MATERIAL**

Insulator: Hi-Temp. Thermoplastic, UL 94V-0, Black  
 Contact Pin: Copper Alloy

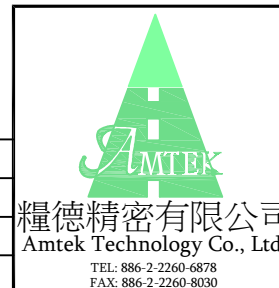
**ORDER INFORMATION**

5 P H 2 M R B 2 0 - 1 X X X X N N X U - A 000 000 - 0 0



Recommended PCB Layout  
 (PCB TOLERANCE ±0.1)

Old Part No. :PH2MR20-1XX-U



品名 TITLE	PIN HEADER 2.0mm S/R R/A SMT TYPE			頁數 Page	1/1
品號 PART NO.	5PH2MRB-1XXXXNXXU- XXX000000-00			繪圖 DRAWN	Roy 2018/09/20
圖號 DRAWING NO.	GW091-RR807	版本 REV.	B	核對 CHECKED	Josh 2018/09/20
客戶品號 CUSTOMER P/N		比例 SCALE	None	承認 APPROVED	Jason 2018/09/20
公差 TOLERANCE	.X ±0.38 .XX ±0.25	單位 UNIT	mm	THIRD ANGLE PROJECTION	

REV.	ECN NO. OR DESCRIPTION	REVISION	DATE
	Add the Packing	David	2021/10/20