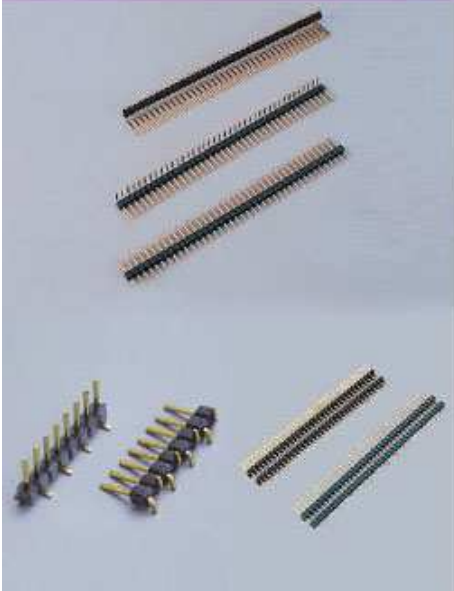


C2100 Series 2.54mm Pin Header H=2.5mm Single Row

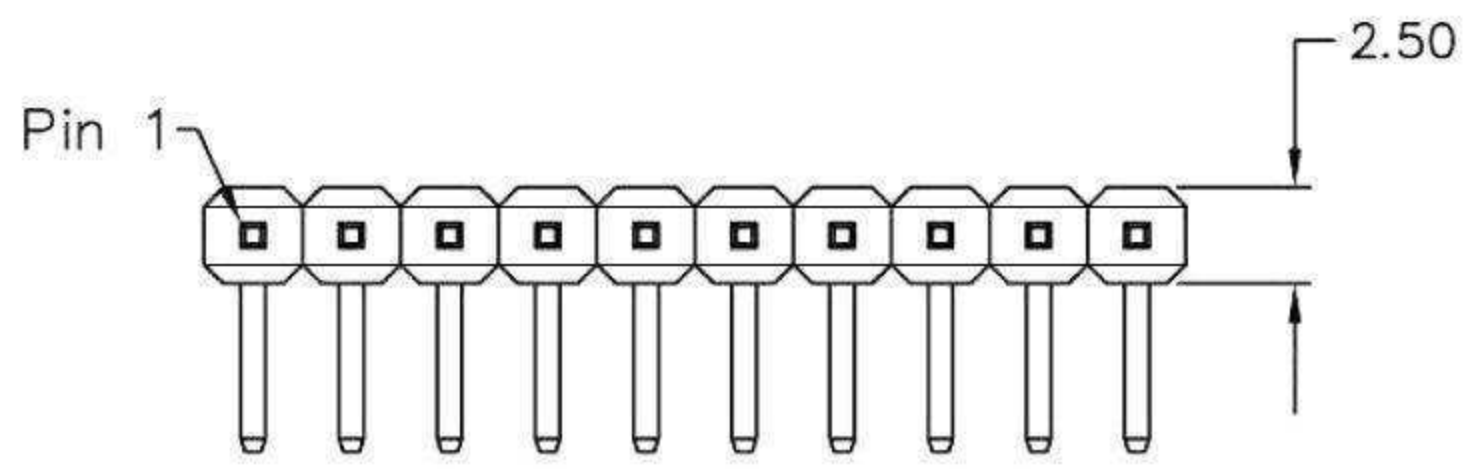


C	2100	—	40	A	S	G	AS	0	R
1	2		3	4	5	6	7	8	9

- | | | | |
|--|---|---|---|
| <p>1. PRODUCTS:
C: Connector</p> <p>2. SERIES NO.:
2100</p> <p>3. CONTACT NO.:
02(1x2)~40(1x40)</p> <p>4. ROW TYPE:
A: Single Row
E: Single Row/
Dual Insulators</p> | <p>5. CONTACT TYPE:
S: Straight
R: Right Angle(A Type)
C: Right Angle(B Type)
G: Right Angle(C Type-
Dual Insulators)</p> <p>6. CONTACT PLATING:
T: Tin
S: Selective Gold
G: Gold Flash</p> | <p>A: Gold 5U"
B: Gold 10U"
C: Gold 15U"
D: Gold 30U"</p> <p>7. PIN LENGTH(mm):
AS(180°)—C:6.00mm
—D:3.00mm
AR(90°—A Type)
—C:3.00mm
—D:6.00mm
—E:3.18mm</p> | <p>AC(90° -B Type)—C:6.00mm
—D:3.00mm
—E:1.18mm</p> <p>AT(S.M.T.)—C:6.0mm
—D:5.0mm
—E:3.3mm</p> <p>8. OTHERS:
O: No Option
T: Tube Packing
R: Reel Packing
P: PAD+Tube Packing
Q: PAD+Reel Packing
A: PAD+BOX Packing</p> <p>9. R: ROHS</p> |
|--|---|---|---|

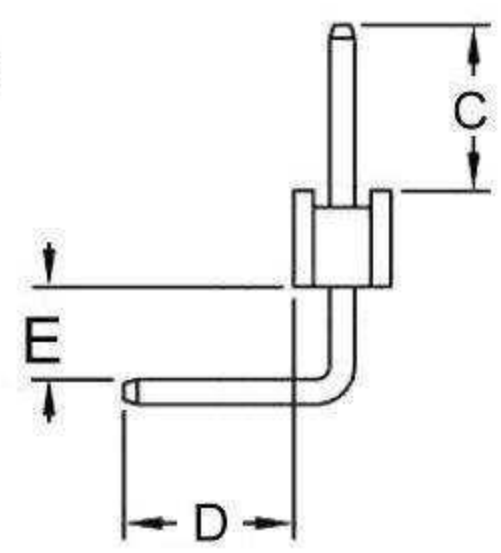
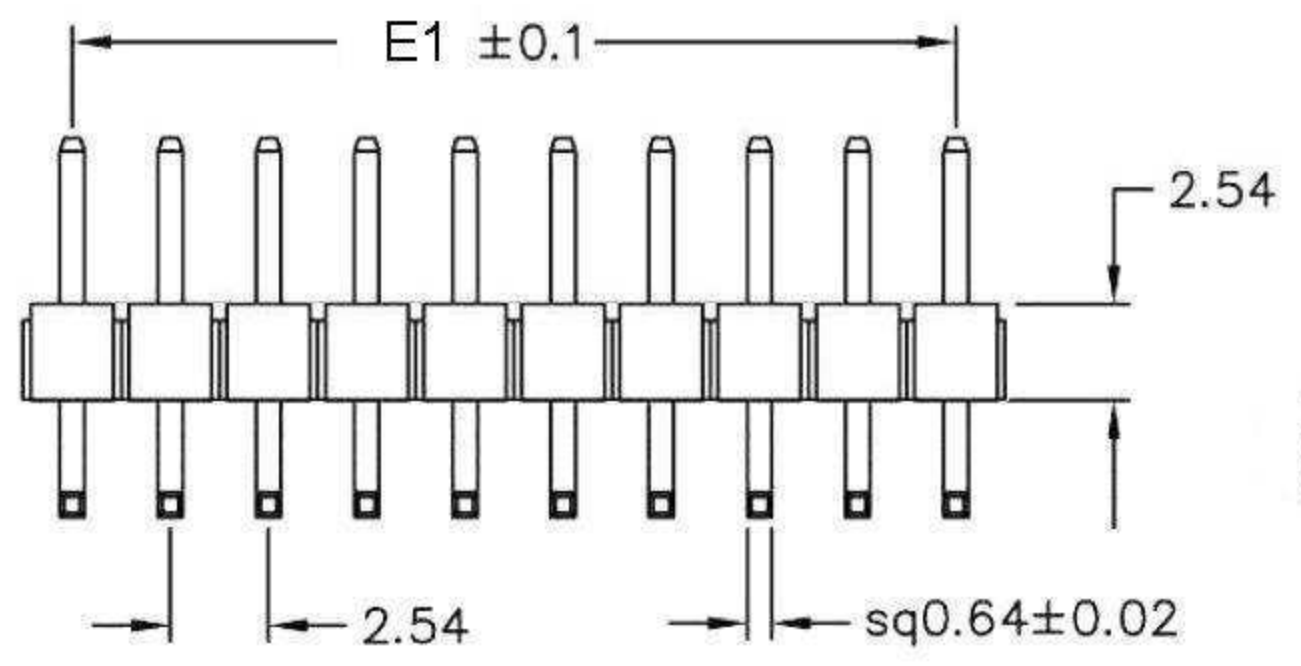
1 2 3 4 5 6 7 8

A
B
C
D
E
F
G
H



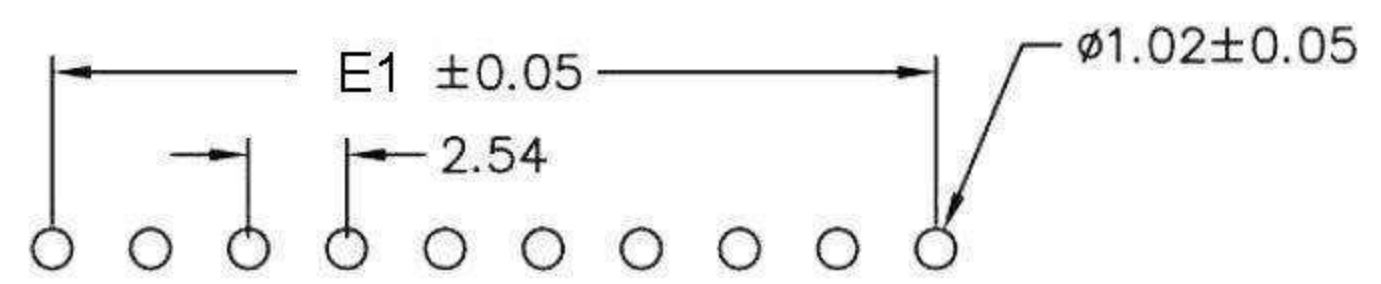
MATERIAL
 Insulator : 30% Glass fiber PBT
 Contact Pin : Brass

SPECIFICATION
 Current Rate : 3 AMP
 Insulation Resistance : 5000MΩMin. at DC 500V
 Contact Resistance : 20mΩMax. at DC 100mA
 Dielectric Voltage : AC 500V for one minute
 Operation Temperature : -40°C to + 105°C



C= 3.0 mm D= 6.0 mm E= 3.18 mm

POLES	DIM E1	POLES	DIM E1
		21	50.80
2	2.54	22	53.34
3	5.08	23	55.88
4	7.62	24	58.42
5	10.16	25	60.96
6	12.70	26	63.50
7	15.24	27	66.04
8	17.78	28	68.58
9	20.32	29	71.12
10	22.86	30	73.66
11	25.40	31	76.20
12	27.94	32	78.74
13	30.48	33	81.28
14	33.02	34	83.82
15	35.56	35	86.36
16	38.10	36	88.90
17	40.64	37	91.44
18	43.18	38	93.98
19	45.72	39	96.52
20	48.26	40	99.06



Recommended P.C.B Layout

RoHS Compliant		HSM 玄茂科技股份有限公司 HSUAN MAO TECHNOLOGY CO., LTD.	
APPD. 核准 HELEN	SCALE 比例 參考	TOLERANCE 容許公差 .0 ± 0.3 .00 ± 0.2 ANG. ±	PART NAME 品名 2.54mm PIN HEADER SINGLE ROW 1XXXP RIGHT ANGLE TYPE (C=3mm D=6mm E=3.18mm) ROHS
DWG. 製圖 ABBY	UNIT 單位 MM	SIZE 紙張尺寸 A4	PART NO. 料號 C2100-XXARXAR0R
DATE 制表日 2013/05/30	PAGE 張數 1 OF 1	REV. 版次 C	

1 2 3 4 5 6 7 8