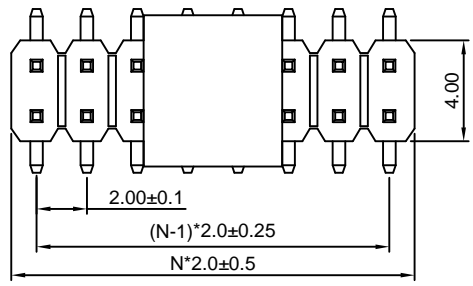
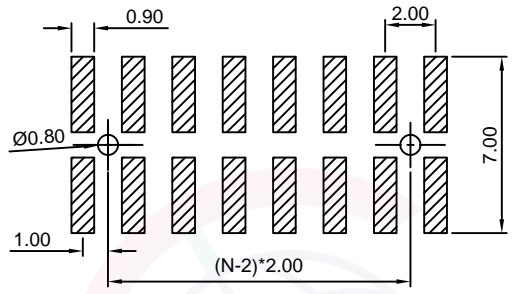


Dept	Qty
DC	1
ED	1
IE	1
ISO	1
PD	1
R&D	1
SD	1
QA	1
QC	1
QE	1

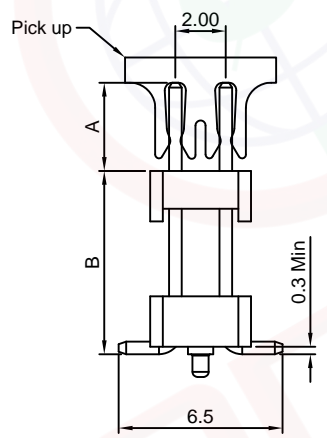
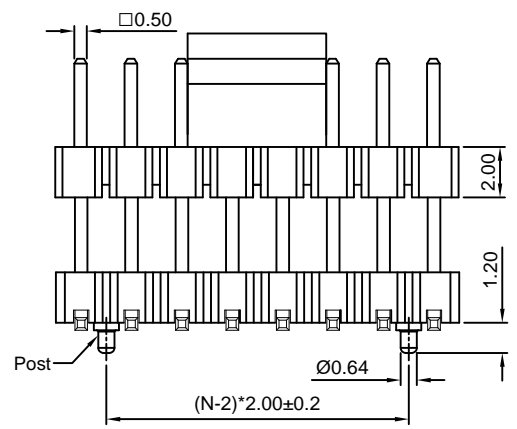
The information provided herein is from CONNELY Electronic Co., Ltd. and is confidential. Any disclosure to a party other than the recipient is prohibited. The intellectual properties and its rights contained herein, including but not limited to, trademarks, patents, copyrights, trade secrets, and technical know-how, are owned exclusively by CONNELY or its affiliates. Unauthorized use or reproduction of any part of this document without the prior written consent of CONNELY may constitute a violation of intellectual property rights. CONNELY may enforce its intellectual property rights at its own discretion, failures or delays to exercise such rights does not constitute a waiver of such rights. This document is for internal use only and is not to be distributed outside of the organization.



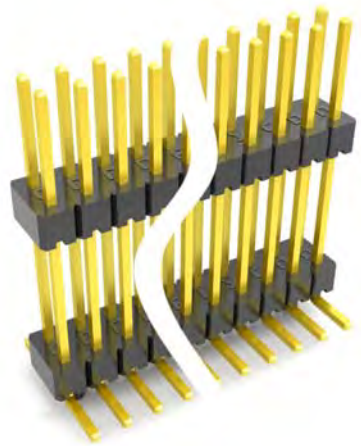
N: Number of contacts/2



Recommend PCB layout  
(Tolerance: ±0.05)



Type	DIM A	DIM B
1	6.00	6.00
2	3.00	9.50
3	4.00	8.00



(Series Image-Reference Only)

REV.	DESCRIPTION	DRAWN	CHECKED	APPROVED
A	NEW RELEASE	LJH 04/27/05'		LJC 04/27/05'
B	DRAWING UPDATE	JLZ 12/04/17'	HZW 12/04/17'	LJC 12/04/17'
C	DRAWING UPDATE	JLZ 03/10/20'		

Notes:

Specifications:

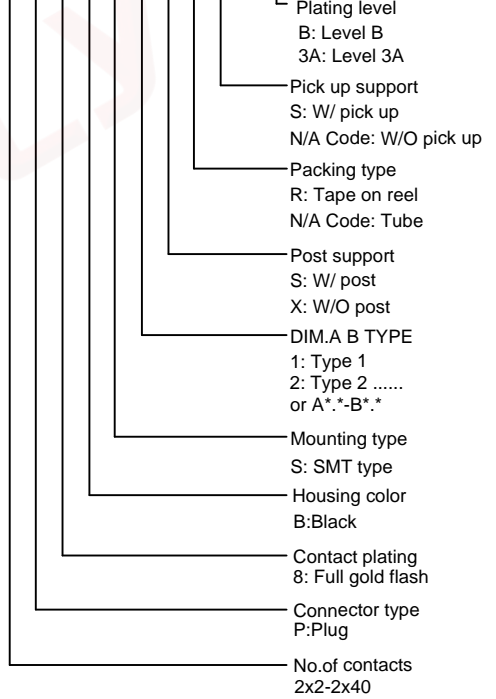
- Contact Resistance: 20mΩ Max.
- Insulation Resistance: 1000MΩ Min.
- Dielectric Withstanding Voltage: 500V AC(rms) For 1 Minute.
- Current Rating: 1.5A.
- Voltage Rating: 250V AC rms.
- Temperature: -40°C~+105°C.

Materials:

- Contact Material: Copper Alloy.
- Contact Plating: Gold Plating Over Nickel.
- Insulator Materials: PA-9T, Black, UL94-V0.

Product Number Code:

DS1030-03 - X X X X X X X X - X



GENERAL TOLERANCE		ANGLE TOLERANCE	
X.	±0.60	X.	±5°
.X	±0.38	.X	±3°
.XX	±0.25	.XX	±2°

DRAWING TYPE	CUSTOMER		
SCALE	1:1	SHEET	1 OF 1
DRAWING NO.	C-DS1030-03-XXXXXXX-X-C		

PROJECTION		TITLE	2.0mm Pin Header Dual Row SMT Type	
UNITS	mm	SERIES	DS1030-03 SERIES	
SHEET SIZE	A4			

**晨翔电子有限公司**  
CONNELY ELECTRONIC CO., LTD