

ORDER INFORMATION

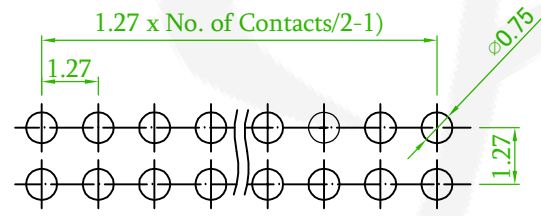
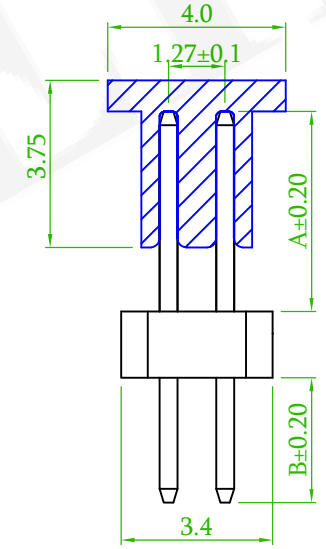
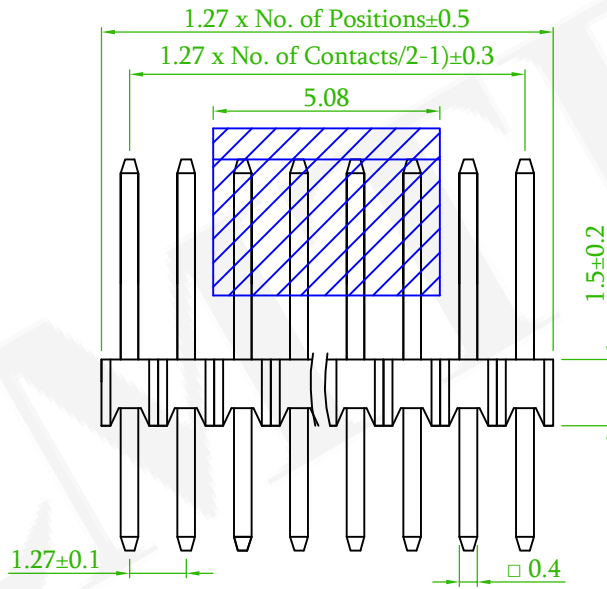
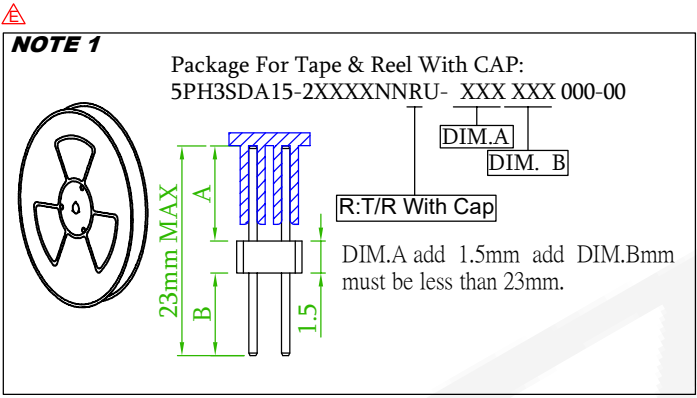
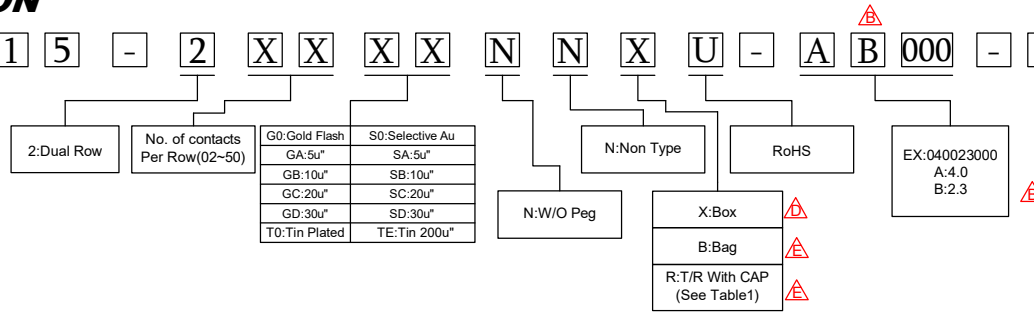
SPECIFICATION

Current Rating: 1 AMP
 Insulation Resistance: 1000MΩ Min.
 Contact Resistance: 20mΩ Max.
 Dielectric Voltage: 500V AC for one minute
 Operation Temperature: -40°C to +105°C

MATERIAL

Insulator: Hi-Temp. Thermoplastic, UL 94V-0, Black
 Contact Pin: Copper Alloy

5 P H 3 S D A 1 5 - 2 X X X X N N X U - A B 000 - 0 0



Recommended PCB Layout
 (PCB TOLERANCE ± 0.1)

Old Part No. : PH3S15-2XX-U

 糧德精密有限公司 Amtek Technology Co., Ltd. TEL: 886-2-2260-6878 FAX: 886-2-2260-8030	品名 TITLE	PIN HEADER 1.27mm D/R V/T DIP TYPE			頁數 Page	1/1
	品號 PART NO.	5PH3SDA15-2XXXXNNU -XXXXXX000-00			繪圖 DRAWN	Roy 2015/08/18
	圖號 DRAWING NO.	GN016-GA297	版本 REV.	F	核對 CHECKED	Josh 2018/03/23
	客戶品號 CUSTOMER P/N		比例 SCALE	None	承認 APPROVED	Jason 2018/03/23
	公差 TOLERANCE	.X ± 0.25 .XX ± 0.20	單位 UNIT	mm	THIRD ANGLE PROJECTION	

△x1	ECN No.:210619 Cancel the top view	Benson	2021/07/10
△x3	Add the T/R with Cap	Benson	2020/09/04
△x1	ECN No.:180310, Remove the Cap & Revise the Package option .	Roy	2018/03/23
REV.	ECN NO. OR DESCRIPTION	REVISED	DATE