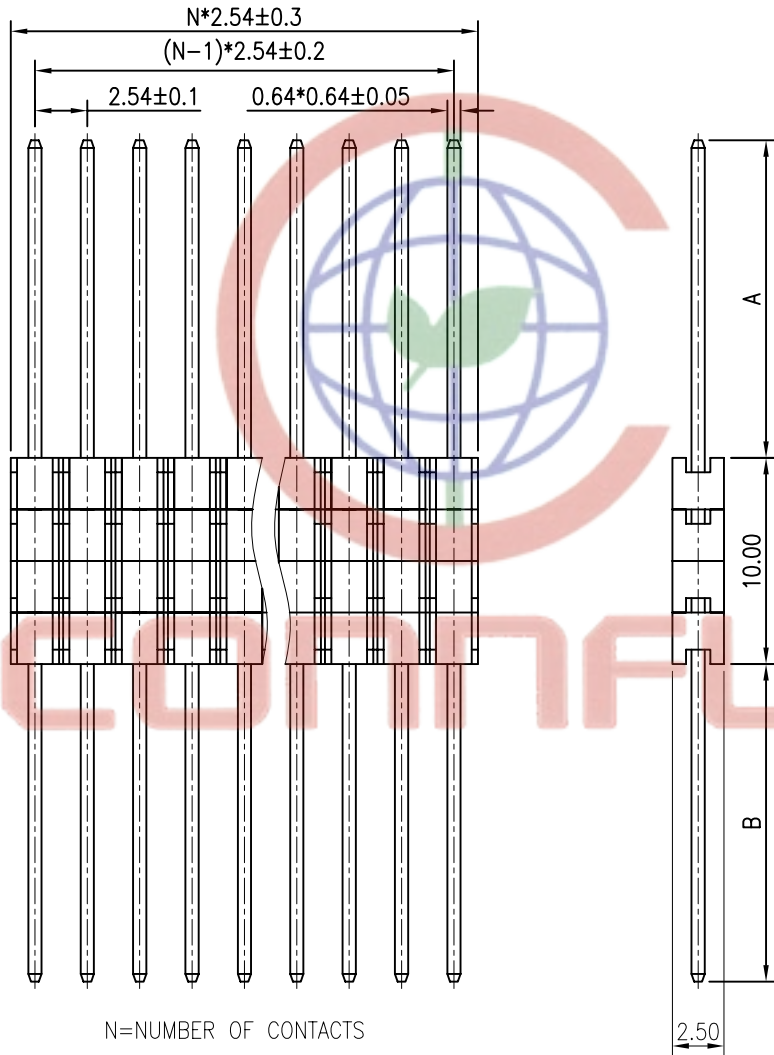


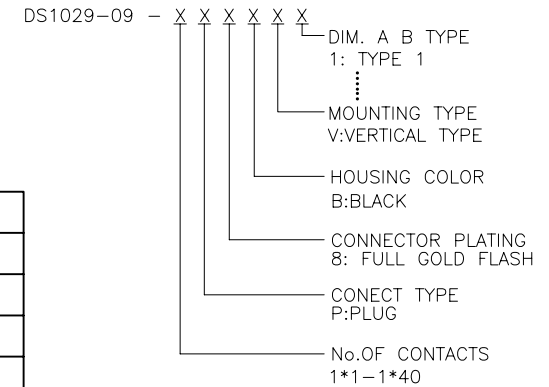
REV.	DESCRIPTION	DRAWN	CHECKED	APPROVED
A	NEW RELEASE	ych 11/05/08'	~	



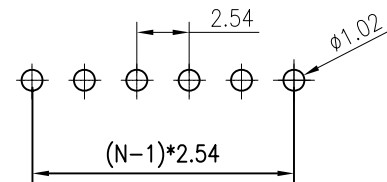
NOTES:

- MATERIAL
  - INSULATOR:THERMOPLASTIC(UL94 V-0).
  - CONTACT MATERIAL:COPPER ALLOY.
- SPECIFICATION
  - CURRENT RATING:1.5 Amp.
  - INSULATION RESISTANCE:1000MΩ Min.
  - DIELECTRIC WITHSTANDING:600VAC.
  - CONTACT RESISTANCE:50mΩ Max.
  - OPERATING TEMPERATURE:-40°C TO+105°C.

3. PRODUCT NUMBER CODE:



TYPE	A	B
1	15.40	15.40
2	15.90	15.90
3		
4		
5		
6		
7		
8		
9		
10		
11		



RECOMMEND PCB LAYOUT(TOLERANCE=±0.05)

GENERAL TOLERANCE		ANGLE TOLERANCE		PROJECTION		TITLE	BOARD SPACERS PIN HEADER PITCH 2.54mm					
X.	±0.60	X.	±5°	UNITS	mm	SHEET SIZE	A4	SERIES	DS1029-09 SERIES			
.X	±0.38	.X	±3°									
.XX	±0.25	.XX	±2°									
DRAWING TYPE		CUSTOMER		<b>晨翔电子有限公司</b> <b>CONNFLY CONNFLY ELECTRONIC CO. LTD</b>								
SCALE		1:1							SHEET		1 OF 1	
DRAWING NO.		C-DS1029-09-XXXXX										

Tel: 86-574-63508787  
 Fax: 86-574-63510817  
 E-mail: sale@zhenqin.com.cn  
 Http://www.connfly.com