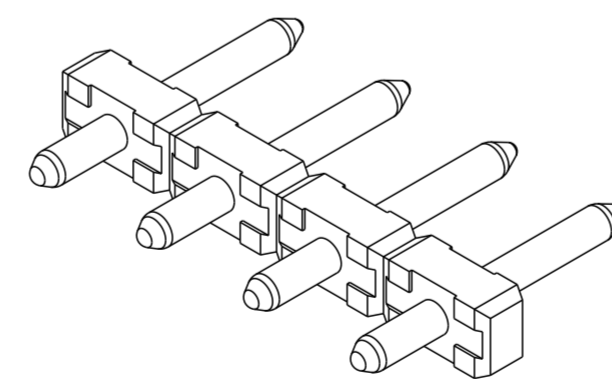
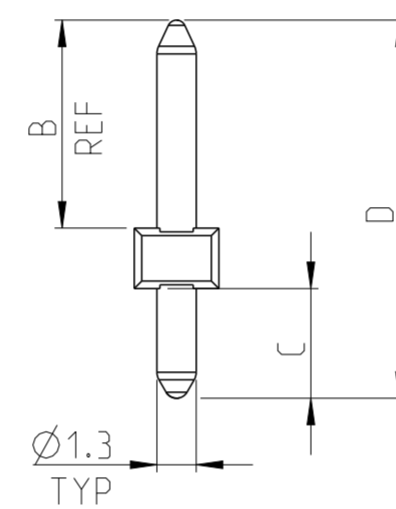
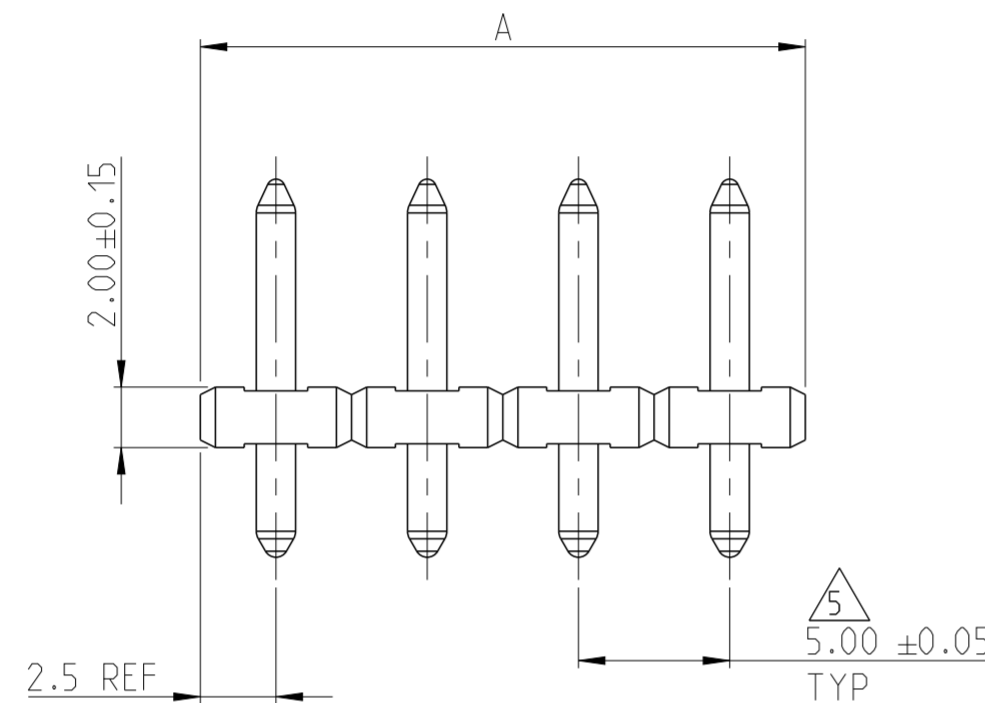
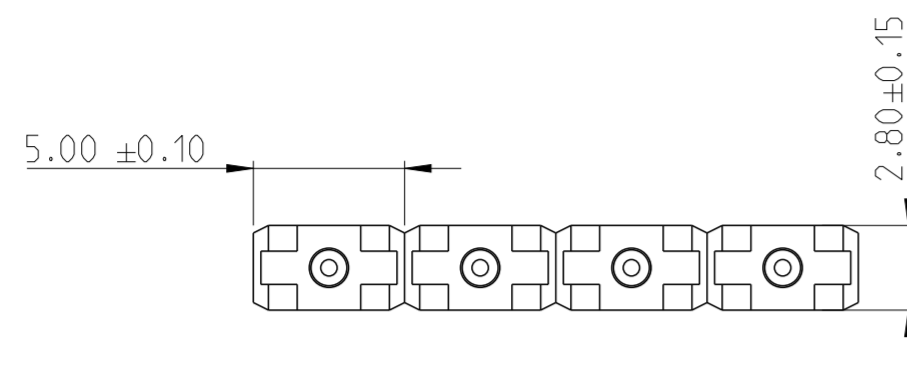
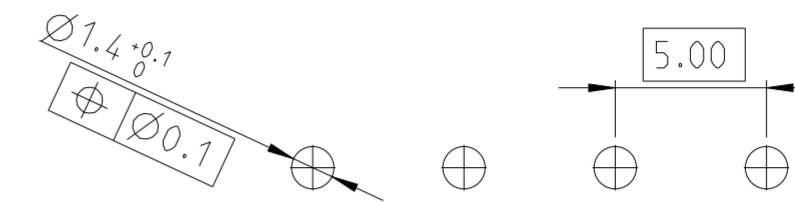


| REVISIONS | | | | | |
|-----------|-----|--|-----------|-----|------|
| P | LTR | DESCRIPTION | DATE | DWN | APVD |
| | H8 | PN 3-282832-9 IS RELEASED FOR PRODUCTION | 01JUL2019 | RK | PS |
| | | | | | |
| | | | | | |



282832-4 AS SHOWN



RECOMMENDED PC BOARD LAYOUT

| PRELIMINARY | TIN | 20.5 | 3.5 | 15.0 | 45.0 | 9 | 4-282832-1 |
|------------------|------|------|-----|------|-------|------------|-----------------------|
| | TIN | 20.5 | 4.5 | 14.0 | 30.0 | 6 | 4-282832-0 |
| | TIN | 20.5 | 3.5 | 15.0 | 20.0 | 4 | 3-282832-9 |
| PRELIMINARY | TIN | 20.5 | 3.5 | 15.0 | 15.0 | 3 | 3-282832-8 |
| | | 16.5 | 3.5 | 11.0 | 20.0 | 4 | 3-282832-7 |
| | | 20.5 | 4.5 | 14.0 | 15.0 | 3 | 3-282832-6 |
| OBSOLETE | TIN | 21.1 | | 15.6 | 20.0 | 4 | 3-282832-5 |
| | | | | | 15.0 | 3 | 3-282832-4 |
| OBSOLETE | GOLD | 16.5 | | 11.0 | 15.0 | 3 | 3-282832-3 |
| | | | | | 10.0 | 2 | 3-282832-2 |
| OBSOLETE | | | 3.5 | | 15.0 | 3 | 2-282832-7 |
| | | | | | 125.0 | 25 | 2-282832-6 |
| | | | | | 120.0 | 24 | 2-282832-5 |
| | | | | | 115.0 | 23 | 2-282832-4 |
| | | | | | 110.0 | 22 | 2-282832-3 |
| OBSOLETE | | 12.5 | | 7.0 | 105.0 | 21 | 2-282832-2 |
| | | | | | 100.0 | 20 | 2-282832-1 |
| | | | | | 95.0 | 19 | 2-282832-0 |
| | | | | | 90.0 | 18 | 1-282832-9 |
| | | | | | 85.0 | 17 | 1-282832-8 |
| | | | | | 80.0 | 16 | 1-282832-7 |
| | | | | | 75.0 | 15 | 1-282832-6 |
| OBSOLETE | TIN | | | | 70.0 | 14 | 1-282832-5 |
| | | | | | 65.0 | 13 | 1-282832-4 |
| | | 16.5 | 3.5 | 11.0 | 40.0 | 8 | 1-282832-3 |
| | | | | | 60.0 | 12 | 1-282832-2 |
| | | | | | 55.0 | 11 | 1-282832-1 |
| | | | | | 50.0 | 10 | 1-282832-0 |
| | | | | | 45.0 | 9 | 282832-9 |
| | | | | | 40.0 | 8 | 282832-8 |
| | | | | | 35.0 | 7 | 282832-7 |
| | | | | | 30.0 | 6 | 282832-6 |
| | | | | | 25.0 | 5 | 282832-5 |
| | | | | | 20.0 | 4 | 282832-4 |
| | | | | | 15.0 | 3 | 282832-3 |
| | | | | | 10.0 | 2 | 282832-2 |
| TERMINAL PLATING | | D | C | B | A | NO OF POSN | PART NUMBER |

- NOTES:
- MATERIALS AND FINISH:
HOUSING: PA 4T, UL 94-V0, COLOR GREEN
TERMINAL: COPPER ALLOY, PLATING: SEE TABLE.
 - MECHANICAL
MIN. PC BOARD HOLES DIAMETER : 1.4mm
MAX. PC BOARD THICKNESS : 2.4mm
 - ELECTRICAL
MAX. VOLTAGE : 300 V
MAX CURRENT : 12 A
CONTACT RESISTANCE : < 15 m Ohm
INSULATION RESISTANCE : > 1000 M Ohm (500V DC)
 - OPERATING TEMPERATURE RANGE: -40°C TO +105°C
 - TOLERANCE NOT CUMULATIVE.
 - END-TO-END STACKABLE WITHOUT LOSS OF CENTERLINE SPACING.
 - RECOGNIZED UNDER THE COMPONENT PROGRAM OF UNDERWRITERS LABORATORIES INC. FILE NO E60677.

THIS DRAWING IS A CONTROLLED DOCUMENT.

| | | | |
|--------------------|--|-------------------------------|------------------|
| DIMENSIONS: mm | TOLERANCES UNLESS OTHERWISE SPECIFIED: 0 PLC ± 1 PLC ±0.3 2 PLC ±0.25 3 PLC ± 4 PLC ± | APVD D. BIEVENOUR 14 AUG 2001 | NAME |
| MATERIAL SEE NOTES | FINISH SEE NOTES | APVD D. BIEVENOUR 14 AUG 2001 | PRODUCT SPEC |
| | | APVD D. BIEVENOUR 14 AUG 2001 | APPLICATION SPEC |
| | | APVD D. BIEVENOUR 14 AUG 2001 | WEIGHT |
| | | APVD D. BIEVENOUR 14 AUG 2001 | CUSTOMER DRAWING |

14 AUG 2001
E. ZANOLINI
14 AUG 2001
D. BIEVENOUR
14 AUG 2001
D. BIEVENOUR

STE TE Connectivity

TERMINAL BLOCK PIN HEADER
UNSHROUDED
5.0 mm PITCH

SIZE A2 CAGE CODE 100779 DRAWING NO C-282832 RESTRICTED TO

SCALE 4:1 SHEET 1 OF 1 REV H8