

4

3

2

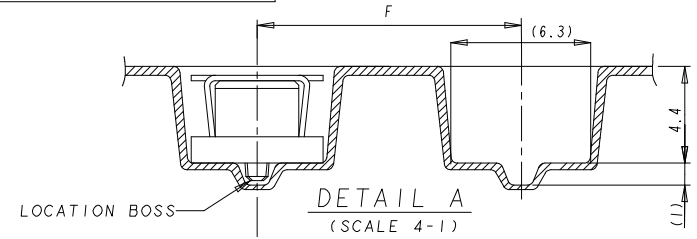
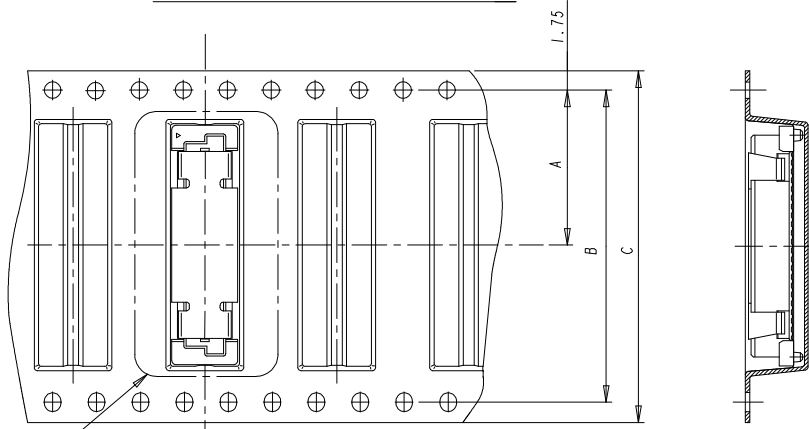
1

THIS DRAWING IS UNPUBLISHED. RELEASED FOR PUBLICATION
 © COPYRIGHT - TE Connectivity ALL RIGHTS RESERVED.

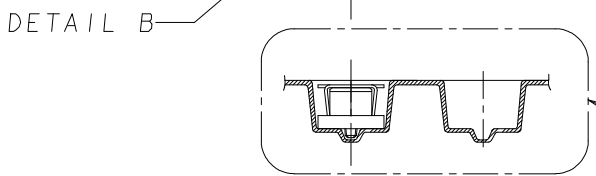
| REVISIONS | | | | | |
|-----------|-----|-------------------------------|-----------|-----|------|
| P | LTR | DESCRIPTION | DATE | DWN | APVD |
| R4 | | ADD NEW P/N PER ECR-19-014765 | 16SEP2019 | AL | HL |

LOW HALOGEN

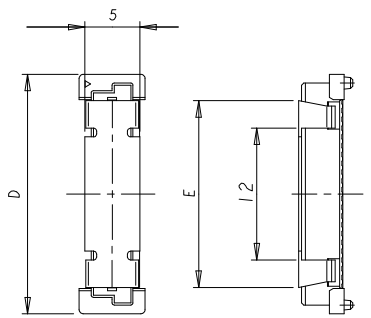
DIRECTION OFF TOP OF REEL



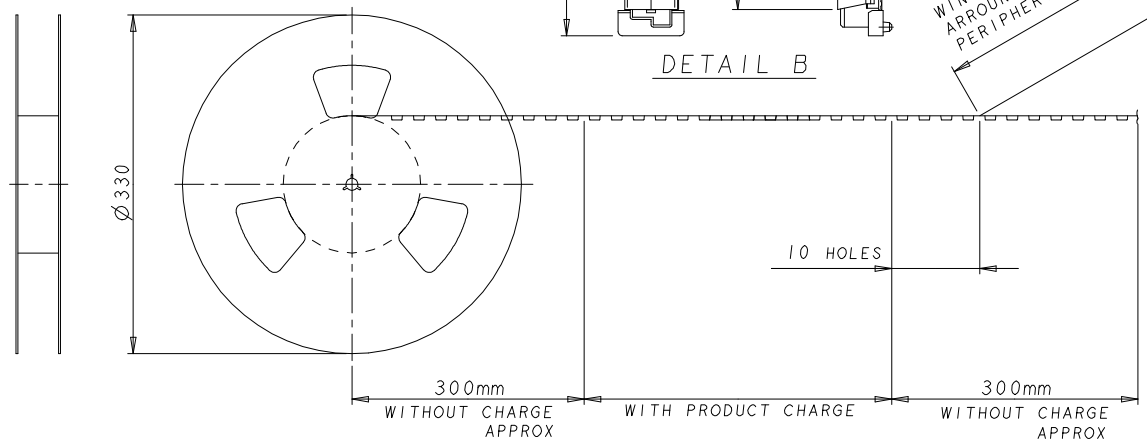
- NOTES :
- ① MATERIAL: HOUSING: LCP,HIGH TEMP THERMOPLASTIC UL 94V-0,NATURAL.
CONTACT: COPPER ALLOY.
 - ② FINISH: 0.0013 MIN ALL OVER NICKEL
CONTACT AREA: 0.00038 MIN GOLD
SOLDERING AREA: 0.002 MIN MATTE TIN.
 - ③ POSITION SERIES: SEE TABLE.
 - ④ CONN STACK HEIGHT COMBINE OF
PLUG "Y"H VS REC "X"H.
STACK HEIGHT = Y+X-5
 - ⑤ FINISH: 0.0013 MIN ALL OVER NICKEL
CONTACT AREA: 0.00038 MIN GOLD
SOLDERING AREA: 0.002 MIN MATTE TIN.
 - ⑥ CONNECTOR WITH BLACK COLOR AND POLYIMIDE COVER
 - ⑦ FINISH: 0.0013 MIN ALL OVER NICKEL
CONTACT AREA: GOLD FLASH
SOLDERING AREA: 0.002 MIN MATTE TIN.



STEEL COVER



WINDING THE COVER TAPE
AROUND THE OUTER
PERIPHERY IN A TURN.



| FINISH | QTY | F | E | D | C | B | A | POS | PART NO. | | | |
|-------------------|---------|-----|------|------|-------|-------|-------|-------|----------|-----|----|----|
| GOLD FLASH -Sn | ⑦ | 700 | 16 | 69.8 | 88 | 84.4 | 42.2 | 160 | 9- | -8 | | |
| | | | | 53.8 | 72 | 68.4 | 34.2 | 120 | 9- | -5 | | |
| | | | | 45.8 | 72 | 68.4 | 34.2 | 100 | 9- | -4 | | |
| | ① | ↑ | ↑ | 37.8 | 56 | 52.4 | 26.2 | 80 | 9- | -3 | | |
| | | | | 29.8 | 44 | 40.4 | 20.2 | 60 | 9- | -2 | | |
| | | | | 21.8 | 32 | 28.4 | 14.2 | 40 | 9- | -1 | | |
| | 15Au-Sn | ⑤ | 1000 | 12 | 17 | 85.8 | 104 | 100.4 | 50.2 | 200 | 2- | -0 |
| | | | | | | 77.8 | 104 | 100.4 | 50.2 | 180 | 1- | -9 |
| | | | | | | 70.1 | 88 | 84.4 | 42.2 | 160 | 1- | -8 |
| | | ② | ↑ | ↑ | 61.8 | 88 | 84.4 | 42.2 | 140 | 1- | -6 | |
| | | | | | 53.8 | 72 | 68.4 | 34.2 | 120 | 1- | -5 | |
| | | | | | 45.8 | 72 | 68.4 | 34.2 | 100 | 1- | -4 | |
| ③ | | ↑ | ↑ | 37.8 | 56 | 52.4 | 26.2 | 80 | 1- | -3 | | |
| | | | | 29.8 | 44 | 40.4 | 20.2 | 60 | 1- | -2 | | |
| | | | | 21.8 | 32 | 28.4 | 14.2 | 40 | 1- | -1 | | |
| 08Au-Sn | | ④ | ↑ | ↑ | 85.8 | 104 | 100.4 | 50.2 | 200 | 1- | -0 | |
| | | | | | 77.8 | 104 | 100.4 | 50.2 | 180 | 1- | -9 | |
| | | | | | 69.8 | 88 | 84.4 | 42.2 | 160 | 1- | -8 | |
| | ② | ↑ | ↑ | 21.8 | 32 | 28.4 | 14.2 | 40 | 1- | -7 | | |
| | | | | 61.8 | 88 | 84.4 | 42.2 | 140 | 1- | -6 | | |
| | | | | 53.8 | 72 | 68.4 | 34.2 | 120 | 1- | -5 | | |
| | ③ | ↑ | ↑ | 37.8 | 56 | 52.4 | 26.2 | 80 | 1- | -4 | | |
| | | | | 29.8 | 44 | 40.4 | 20.2 | 60 | 1- | -2 | | |
| | | | | 21.8 | 32 | 28.4 | 14.2 | 40 | 1- | -1 | | |
| | ④ | ↑ | ↑ | 85.8 | 104 | 100.4 | 50.2 | 200 | 1- | -0 | | |
| | | | | 77.8 | 104 | 100.4 | 50.2 | 180 | 1- | -9 | | |
| | | | | 69.8 | 88 | 84.4 | 42.2 | 160 | 1- | -8 | | |
| ② | ↑ | ↑ | 21.8 | 32 | 28.4 | 14.2 | 40 | 1- | -7 | | | |
| | | | 61.8 | 88 | 84.4 | 42.2 | 140 | 1- | -6 | | | |
| | | | 53.8 | 72 | 68.4 | 34.2 | 120 | 1- | -5 | | | |
| ③ | ↑ | ↑ | 37.8 | 56 | 52.4 | 26.2 | 80 | 1- | -4 | | | |
| | | | 29.8 | 44 | 40.4 | 20.2 | 60 | 1- | -2 | | | |
| | | | 21.8 | 32 | 28.4 | 14.2 | 40 | 1- | -1 | | | |
| ④ | ↑ | ↑ | 85.8 | 104 | 100.4 | 50.2 | 200 | 1- | -0 | | | |
| | | | 77.8 | 104 | 100.4 | 50.2 | 180 | 1- | -9 | | | |
| | | | 69.8 | 88 | 84.4 | 42.2 | 160 | 1- | -8 | | | |
| ② | ↑ | ↑ | 21.8 | 32 | 28.4 | 14.2 | 40 | 1- | -7 | | | |
| | | | 61.8 | 88 | 84.4 | 42.2 | 140 | 1- | -6 | | | |
| | | | 53.8 | 72 | 68.4 | 34.2 | 120 | 1- | -5 | | | |
| ③ | ↑ | ↑ | 37.8 | 56 | 52.4 | 26.2 | 80 | 1- | -4 | | | |
| | | | 29.8 | 44 | 40.4 | 20.2 | 60 | 1- | -2 | | | |
| | | | 21.8 | 32 | 28.4 | 14.2 | 40 | 1- | -1 | | | |
| ④ | ↑ | ↑ | 85.8 | 104 | 100.4 | 50.2 | 200 | 1- | -0 | | | |
| | | | 77.8 | 104 | 100.4 | 50.2 | 180 | 1- | -9 | | | |
| | | | 69.8 | 88 | 84.4 | 42.2 | 160 | 1- | -8 | | | |
| ② | ↑ | ↑ | 21.8 | 32 | 28.4 | 14.2 | 40 | 1- | -7 | | | |
| | | | 61.8 | 88 | 84.4 | 42.2 | 140 | 1- | -6 | | | |
| | | | 53.8 | 72 | 68.4 | 34.2 | 120 | 1- | -5 | | | |
| ③ | ↑ | ↑ | 37.8 | 56 | 52.4 | 26.2 | 80 | 1- | -4 | | | |
| | | | 29.8 | 44 | 40.4 | 20.2 | 60 | 1- | -2 | | | |
| | | | 21.8 | 32 | 28.4 | 14.2 | 40 | 1- | -1 | | | |
| ④ | ↑ | ↑ | 85.8 | 104 | 100.4 | 50.2 | 200 | 1- | -0 | | | |
| | | | 77.8 | 104 | 100.4 | 50.2 | 180 | 1- | -9 | | | |
| | | | 69.8 | 88 | 84.4 | 42.2 | 160 | 1- | -8 | | | |
| ② | ↑ | ↑ | 21.8 | 32 | 28.4 | 14.2 | 40 | 1- | -7 | | | |
| | | | 61.8 | 88 | 84.4 | 42.2 | 140 | 1- | -6 | | | |
| | | | 53.8 | 72 | 68.4 | 34.2 | 120 | 1- | -5 | | | |
| ③ | ↑ | ↑ | 37.8 | 56 | 52.4 | 26.2 | 80 | 1- | -4 | | | |
| | | | 29.8 | 44 | 40.4 | 20.2 | 60 | 1- | -2 | | | |
| | | | 21.8 | 32 | 28.4 | 14.2 | 40 | 1- | -1 | | | |
| ④ | ↑ | ↑ | 85.8 | 104 | 100.4 | 50.2 | 200 | 1- | -0 | | | |
| | | | 77.8 | 104 | 100.4 | 50.2 | 180 | 1- | -9 | | | |
| | | | 69.8 | 88 | 84.4 | 42.2 | 160 | 1- | -8 | | | |
| ② | ↑ | ↑ | 21.8 | 32 | 28.4 | 14.2 | 40 | 1- | -7 | | | |
| | | | 61.8 | 88 | 84.4 | 42.2 | 140 | 1- | -6 | | | |
| | | | 53.8 | 72 | 68.4 | 34.2 | 120 | 1- | -5 | | | |
| ③ | ↑ | ↑ | 37.8 | 56 | 52.4 | 26.2 | 80 | 1- | -4 | | | |
| | | | 29.8 | 44 | 40.4 | 20.2 | 60 | 1- | -2 | | | |
| | | | 21.8 | 32 | 28.4 | 14.2 | 40 | 1- | -1 | | | |
| ④ | ↑ | ↑ | 85.8 | 104 | 100.4 | 50.2 | 200 | 1- | -0 | | | |
| | | | 77.8 | 104 | 100.4 | 50.2 | 180 | 1- | -9 | | | |
| | | | 69.8 | 88 | 84.4 | 42.2 | 160 | 1- | -8 | | | |
| ② | ↑ | ↑ | 21.8 | 32 | 28.4 | 14.2 | 40 | 1- | -7 | | | |
| | | | 61.8 | 88 | 84.4 | 42.2 | 140 | 1- | -6 | | | |
| | | | 53.8 | 72 | 68.4 | 34.2 | 120 | 1- | -5 | | | |
| ③ | ↑ | ↑ | 37.8 | 56 | 52.4 | 26.2 | 80 | 1- | -4 | | | |
| | | | 29.8 | 44 | 40.4 | 20.2 | 60 | 1- | -2 | | | |
| | | | 21.8 | 32 | 28.4 | 14.2 | 40 | 1- | -1 | | | |
| ④ | ↑ | ↑ | 85.8 | 104 | 100.4 | 50.2 | 200 | 1- | -0 | | | |
| | | | 77.8 | 104 | 100.4 | 50.2 | 180 | 1- | -9 | | | |
| | | | 69.8 | 88 | 84.4 | 42.2 | 160 | 1- | -8 | | | |
| ② | ↑ | ↑ | 21.8 | 32 | 28.4 | 14.2 | 40 | 1- | -7 | | | |
| | | | 61.8 | 88 | 84.4 | 42.2 | 140 | 1- | -6 | | | |
| | | | 53.8 | 72 | 68.4 | 34.2 | 120 | 1- | -5 | | | |
| ③ | ↑ | ↑ | 37.8 | 56 | 52.4 | 26.2 | 80 | 1- | -4 | | | |
| | | | 29.8 | 44 | 40.4 | 20.2 | 60 | 1- | -2 | | | |
| | | | 21.8 | 32 | 28.4 | 14.2 | 40 | 1- | -1 | | | |
| ④ | ↑ | ↑ | 85.8 | 104 | 100.4 | 50.2 | 200 | 1- | -0 | | | |
| | | | 77.8 | 104 | 100.4 | 50.2 | 180 | 1- | -9 | | | |
| | | | 69.8 | 88 | 84.4 | 42.2 | 160 | 1- | -8 | | | |
| ② | ↑ | ↑ | 21.8 | 32 | 28.4 | 14.2 | 40 | 1- | -7 | | | |
| | | | 61.8 | 88 | 84.4 | 42.2 | 140 | 1- | -6 | | | |
| | | | 53.8 | 72 | 68.4 | 34.2 | 120 | 1- | -5 | | | |
| ③ | ↑ | ↑ | 37.8 | 56 | 52.4 | 26.2 | 80 | 1- | -4 | | | |
| | | | 29.8 | 44 | 40.4 | 20.2 | 60 | 1- | -2 | | | |
| | | | 21.8 | 32 | 28.4 | 14.2 | 40 | 1- | -1 | | | |
| ④ | ↑ | ↑ | 85.8 | 104 | 100.4 | 50.2 | 200 | 1- | -0 | | | |
| | | | 77.8 | 104 | 100.4 | 50.2 | 180 | 1- | -9 | | | |
| | | | 69.8 | 88 | 84.4 | 42.2 | 160 | 1- | -8 | | | |
| ② | ↑ | ↑ | 21.8 | 32 | 28.4 | 14.2 | 40 | 1- | -7 | | | |
| | | | 61.8 | 88 | 84.4 | 42.2 | 140 | 1- | -6 | | | |
| | | | 53.8 | 72 | 68.4 | 34.2 | 120 | 1- | -5 | | | |
| ③ | ↑ | ↑ | 37.8 | 56 | 52.4 | 26.2 | 80 | 1- | -4 | | | |
| | | | 29.8 | 44 | 40.4 | 20.2 | 60 | 1- | -2 | | | |
| | | | 21.8 | 32 | 28.4 | 14.2 | 40 | 1- | -1 | | | |
| ④ | ↑ | ↑ | 85.8 | 104 | 100.4 | 50.2 | 200 | 1- | -0 | | | |
| | | | 77.8 | 104 | 100.4 | 50.2 | 180 | 1- | -9 | | | |
| | | | 69.8 | 88 | 84.4 | 42.2 | 160 | 1- | -8 | | | |
| ② | ↑ | ↑ | 21.8 | 32 | 28.4 | 14.2 | 40 | 1- | -7 | | | |
| | | | 61.8 | 88 | 84.4 | 42.2 | 140 | 1- | -6 | | | |
| | | | 53.8 | 72 | 68.4 | 34.2 | 120 | 1- | -5 | | | |
| ③ | ↑ | ↑ | 37.8 | 56 | 52.4 | 26.2 | 80 | 1- | -4 | | | |
| | | | 29.8 | 44 | 40.4 | 20.2 | 60 | 1- | -2 | | | |
| | | | 21.8 | 32 | 28.4 | 14.2 | 40 | 1- | -1 | | | |
| ④ | ↑ | ↑ | 85.8 | 104 | 100.4 | 50.2 | 200 | 1- | -0 | | | |
| | | | 77.8 | 104 | 100.4 | 50.2 | 180 | 1- | -9 | | | |
| | | | 69.8 | 88 | 84.4 | 42.2 | 160 | 1- | -8 | | | |
| ② | ↑ | ↑ | 21.8 | 32 | 28.4 | 14.2 | 40 | 1- | -7 | | | |
| | | | 61.8 | 88 | 84.4 | 42.2 | 140 | 1- | -6 | | | |
| | | | 53.8 | 72 | 68.4 | 34.2 | 120 | 1- | -5 | | | |
| ③ | ↑ | ↑ | 37.8 | 56 | 52.4 | 26.2 | 80 | 1- | -4 | | | |
| | | | 29.8 | 44 | 40.4 | 20.2 | 60 | 1- | -2 | | | |
| | | | 21.8 | 32 | 28.4 | 14.2 | 40 | 1- | -1 | | | |
| ④ | ↑ | ↑ | 85.8 | 104 | 100.4 | 50.2 | 200 | 1- | -0 | | | |
| | | | 77.8 | 104 | 100.4 | 50.2 | 180 | 1- | -9 | | | |
| | | | 69.8 | 88 | 84.4 | 42.2 | 160 | 1- | -8 | | | |
| ② | ↑ | ↑ | 21.8 | 32 | 28.4 | 14.2 | 40 | 1- | -7 | | | |
| | | | 61.8 | 88 | 84.4 | 42.2 | 140 | 1- | -6 | | | |
| | | | 53.8 | 72 | 68.4 | 34.2 | 120 | 1- | -5 | | | |
| ③ | ↑ | ↑ | 37.8 | 56 | 52.4 | 26.2 | 80 | 1- | -4 | | | |
| | | | 29.8 | 44 | 40.4 | 20.2 | 60 | 1- | -2 | | | |
| | | | 21.8 | 32 | 28.4 | 14.2 | 40 | 1- | -1 | | | |
| ④ | ↑ | ↑ | 85.8 | 104 | 100.4 | 50.2 | 200 | 1- | -0 | | | |
| | | | 77.8 | 104 | 100.4 | 50.2 | 180 | 1- | -9 | | | |
| | | | 69.8 | 88 | 84.4 | 42.2 | 160 | 1- | -8 | | | |
| ② | ↑ | ↑ | 21.8 | 32 | 28.4 | 14.2 | 40 | 1- | -7 | | | |
| | | | 61.8 | 88 | 84.4 | 42.2 | 140 | 1- | -6 | | | |
| | | | 53.8 | 72 | 68.4 | 34.2 | 120 | 1- | -5 | | | |
| ③ | ↑ | ↑ | 37.8 | 56 | 52.4 | 26.2 | 80 | 1- | | | | |

4

3

2

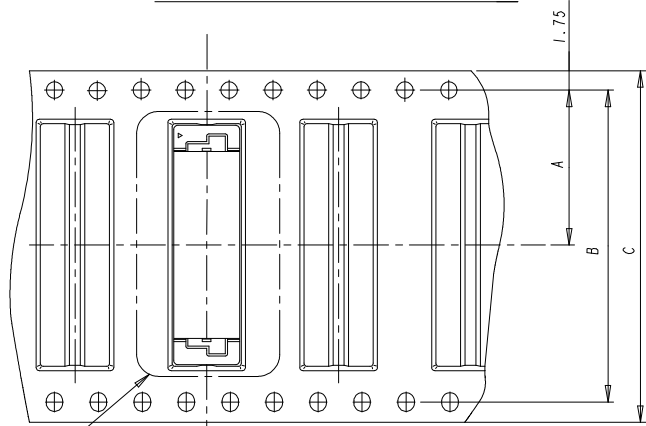
1

THIS DRAWING IS UNPUBLISHED. RELEASED FOR PUBLICATION
 © COPYRIGHT - TE Connectivity ALL RIGHTS RESERVED.

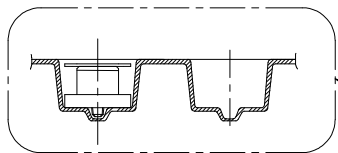
| REVISIONS | | | | |
|-----------|-----|-------------|------|------|
| P | LTR | DESCRIPTION | DATE | APVD |
| - | - | SEE SHEET 1 | - | - |

LOW HALOGEN

DIRECTION OFF TOP OF REEL

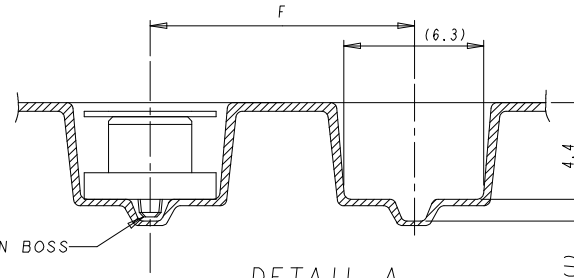


DETAIL B

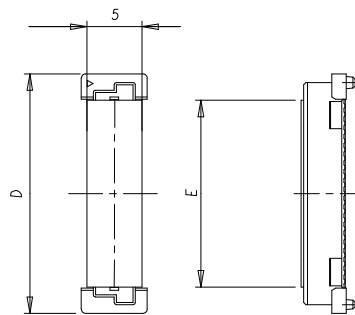


DETAIL A

LOCATION BOSS

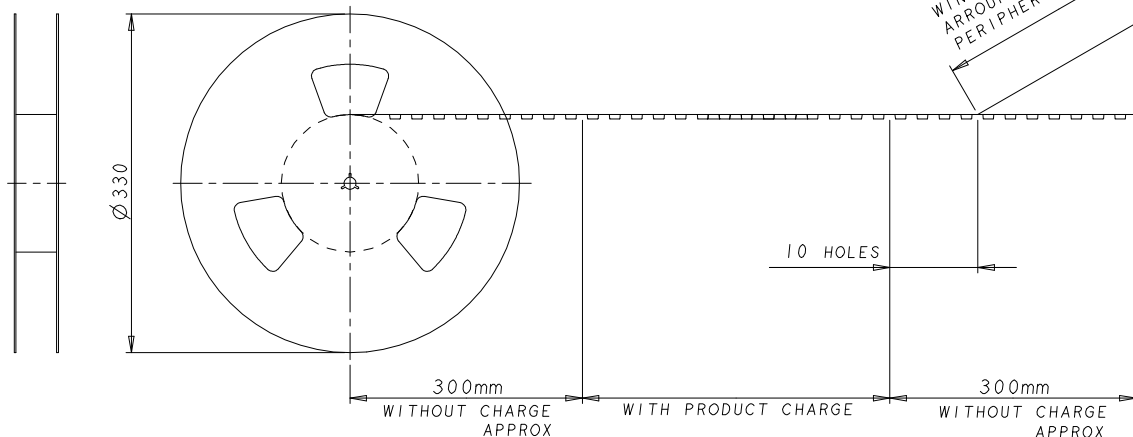


DETAIL A
(SCALE 4-1)



DETAIL B

POLYIMIDE COVER



WINDING THE COVER TAPE
 AROUND THE OUTER
 PERIPHERY IN A TURN.

| | | | | | | | | | | |
|--------|-----|-----|----|----|------|----|------|------|----------|-------------|
| △ | △ | 700 | 16 | 11 | 61.8 | 88 | 84.4 | 42.2 | 140 | 9-5177985-6 |
| FINISH | QTY | F | E | D | C | B | A | POS | PART NO. | |

| | | | | | |
|--|--|--------------------------------|-----------|---|--|
| THIS DRAWING IS A CONTROLLED DOCUMENT. | | DWN: SK LEAW CHK: ERIC TING | 17MAV2004 | TE Connectivity Ltd. | |
| DIMENSIONS: mm | | APVD: SF LEONG | | NAME | |
| TOLERANCES UNLESS OTHERWISE SPECIFIED: | | PRODUCT SPEC | | RECEPTACLE ASSEMBLY 5H TYPE (0.5MM BOSS LENGTH) FOR 0.8FH ON TAPING | |
| 0 PLC ± - | | 108-5390 | | SIZE CAGE CODE DRAWING NO | |
| 1 PLC ± 0.3 | | APPLICATION SPEC | | RESTRICTED TO | |
| 2 PLC ± 0.25 | | 114-5254 | | A2 00779 C=5177985 | |
| 3 PLC ± 0.2 | | WEIGHT | | SCALE 1:1 SHEET 2 of 4 REV R4 | |
| 4 PLC ± - | | CUSTOMER DRAWING | | | |
| ANGLES ± - | | | | | |

4

3

2

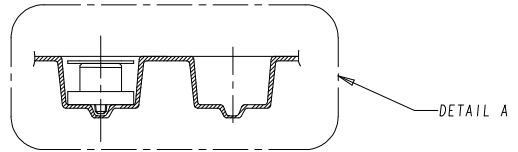
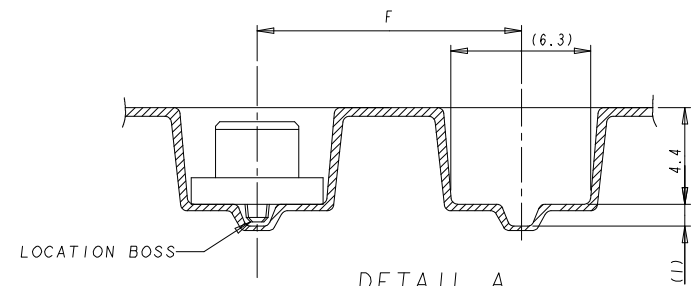
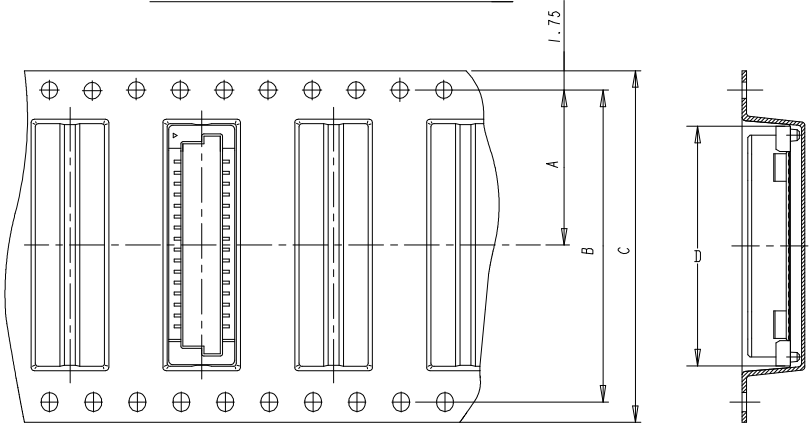
1

THIS DRAWING IS UNPUBLISHED. RELEASED FOR PUBLICATION
 © COPYRIGHT - TE Connectivity ALL RIGHTS RESERVED.

| REVISIONS | | | | | |
|-----------|-----|-------------|------|-----|------|
| P | LTR | DESCRIPTION | DATE | DWN | APVD |
| - | - | SEE SHEET 1 | - | - | - |

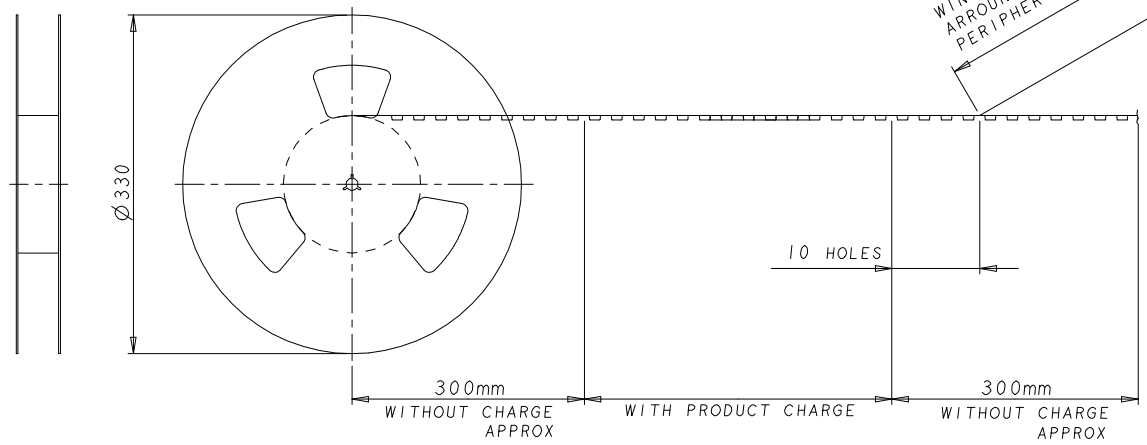
LOW HALOGEN

DIRECTION OFF TOP OF REEL



WITHOUT COVER

WINDING THE COVER TAPE AROUND THE OUTER PERIPHERY IN A TURN.

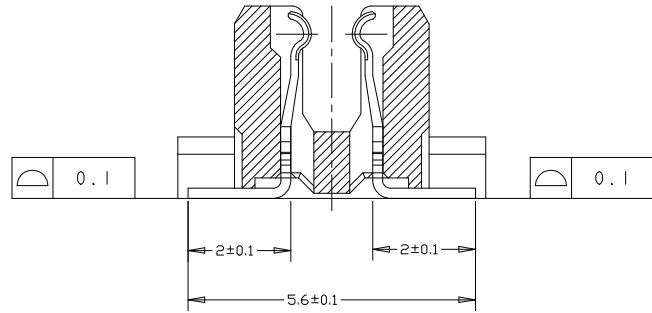
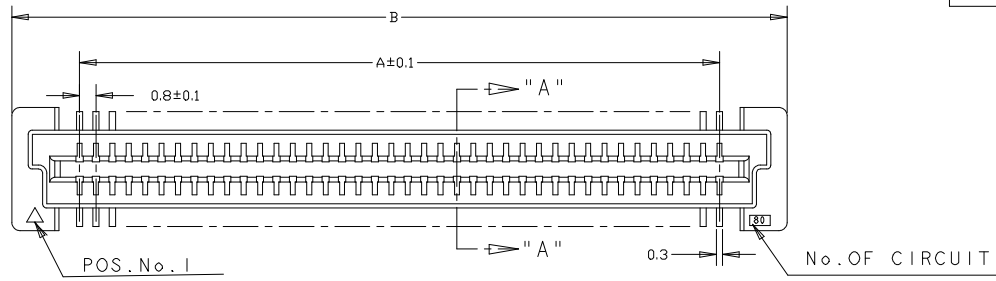


| FINISH | QTY | F | D | C | B | A | POS | PART NO. |
|--------|-----|----|------|----|------|------|-----|-------------|
| △ | 700 | 16 | 21.8 | 32 | 28.4 | 14.2 | 40 | 8-5177985-1 |
| △ | 700 | 16 | 53.8 | 72 | 68.4 | 34.2 | 120 | 8-5177985-5 |

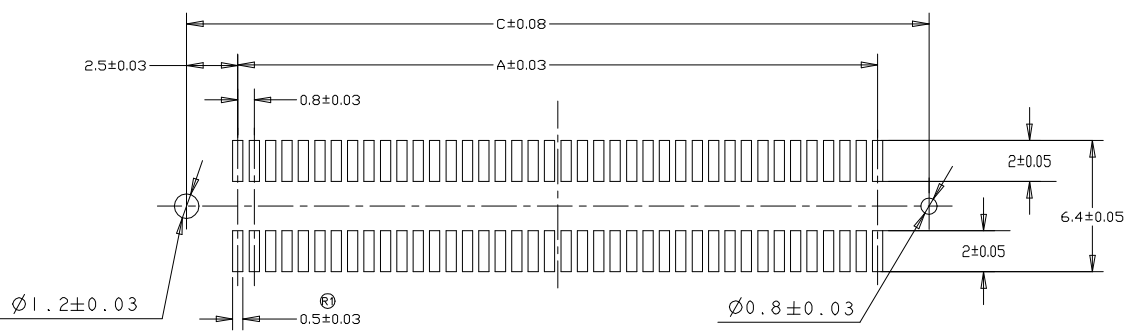
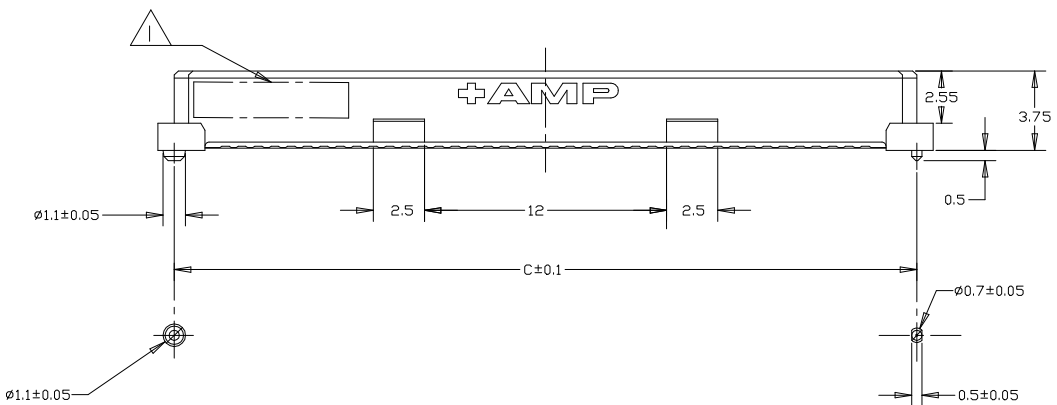
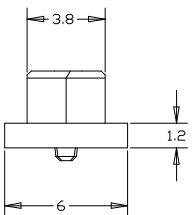
| | | | | |
|--|--|----------------------------|---|-----------------------|
| THIS DRAWING IS A CONTROLLED DOCUMENT. | | DWN: SK LEAW 17MAV2004 | TE Connectivity Ltd. | |
| DIMENSIONS: mm | | CHK: ERIC TING | | |
| TOLERANCES UNLESS OTHERWISE SPECIFIED: | | APVD: SF LEONG | NAME: RECEPTACLE ASSEMBLY 5H TYPE (0.5MM BOSS LENGTH) FOR 0.8FH ON TAPING | |
| 0 PLC ± - 1 PLC ± 0.3 2 PLC ± 0.25 3 PLC ± 0.2 4 PLC ± - ANGLES ± - FINISH - | | PRODUCT SPEC: 108-5390 | SIZE: A2 | |
| MATERIAL: - | | APPLICATION SPEC: 114-5254 | CAGE CODE: 00779 | DRAWING NO: C=5177985 |
| WEIGHT: - | | CUSTOMER DRAWING | | RESTRICTED TO: - |
| SCALE: 1:1 | | SHEET: 3 of 4 | | REV: R4 |

LOW HALOGEN

| REVISIONS | | | | | |
|-----------|-----|-------------|------|-----|------|
| P | LTR | DESCRIPTION | DATE | DWN | APVD |
| - | - | SEE SHEET 1 | - | - | - |



SECT. "A" - "A"
(SCALE 10-1)



RECOMMENDED P.C. BOARD LAYOUT

CONNECTOR ONLY

| | | | | | | |
|----|------|------|------|-----|-----------|----|
| R4 | 20.2 | 21.8 | 15.2 | 40 | 8- | -1 |
| | 52.2 | 53.8 | 47.2 | 120 | 8- | -5 |
| R4 | 68.2 | 69.8 | 63.2 | 160 | 9- | -8 |
| | 52.2 | 53.8 | 47.2 | 120 | 9- | -5 |
| R4 | 44.2 | 45.8 | 39.2 | 100 | 9- | -4 |
| | 36.2 | 37.8 | 31.2 | 80 | 9- | -3 |
| R4 | 28.2 | 29.8 | 23.2 | 60 | 9- | -2 |
| | 20.2 | 21.8 | 15.2 | 40 | 9- | -1 |
| R4 | 84.2 | 85.8 | 79.2 | 200 | 2- | -0 |
| | 76.2 | 77.8 | 71.2 | 180 | 1- | -9 |
| R4 | 68.2 | 69.8 | 63.2 | 160 | 1- | -8 |
| | 60.2 | 61.8 | 55.2 | 140 | 1- | -6 |
| R4 | 52.2 | 53.8 | 47.2 | 120 | 1- | -5 |
| | 44.2 | 45.8 | 39.2 | 100 | 1- | -4 |
| R4 | 36.2 | 37.8 | 31.2 | 80 | 1- | -3 |
| | 28.2 | 29.8 | 23.2 | 60 | 1- | -2 |
| R4 | 20.2 | 21.8 | 15.2 | 40 | 1- | -1 |
| | 84.2 | 85.8 | 79.2 | 200 | 1- | -0 |
| R4 | 76.2 | 77.8 | 71.2 | 180 | - | -9 |
| | 68.2 | 69.8 | 63.2 | 160 | - | -8 |
| R4 | 20.2 | 21.8 | 15.2 | 40 | - | -7 |
| | 60.2 | 61.8 | 55.2 | 140 | - | -6 |
| R4 | 52.2 | 53.8 | 47.2 | 120 | - | -5 |
| | 44.2 | 45.8 | 39.2 | 100 | - | -4 |
| R4 | 36.2 | 37.8 | 31.2 | 80 | - | -3 |
| | 28.2 | 29.8 | 23.2 | 60 | - | -2 |
| R4 | 20.2 | 21.8 | 15.2 | 40 | - | -1 |
| | 20.2 | 21.8 | 15.2 | 40 | 5177985-1 | - |
| | C | B | A | POS | PART NO. | |

| | | | | | |
|--|--|------------------|-----------|---|------------------|
| THIS DRAWING IS A CONTROLLED DOCUMENT. | | DWN: SK LEAW | 17MAY2004 | TE Connectivity Ltd. | |
| DIMENSIONS: mm | | CHK: ERIC TING | | RECEPTACLE ASSEMBLY 5H TYPE (0.5MM BOSS LENGTH) FOR 0.8FH ON TAPING | |
| TOLERANCES UNLESS OTHERWISE SPECIFIED: | | APVD: SF LEONG | | RESTRICTED TO | |
| 0 PLC ± - | | PRODUCT SPEC | 108-5390 | SIZE: A2 | CAGE CODE: 00779 |
| 1 PLC ± 0.3 | | APPLICATION SPEC | 114-5254 | DRAWING NO: C=5177985 | REV: R4 |
| 2 PLC ± 0.25 | | WEIGHT: - | | SCALE: 1:1 | SHEET: 4 of 4 |
| 3 PLC ± 0.2 | | CUSTOMER DRAWING | | | |
| 4 PLC ± - | | | | | |
| ANGLES FINISH ± - | | | | | |