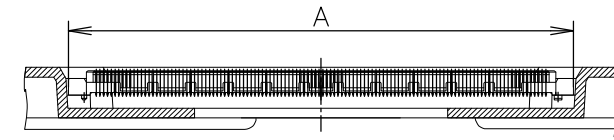
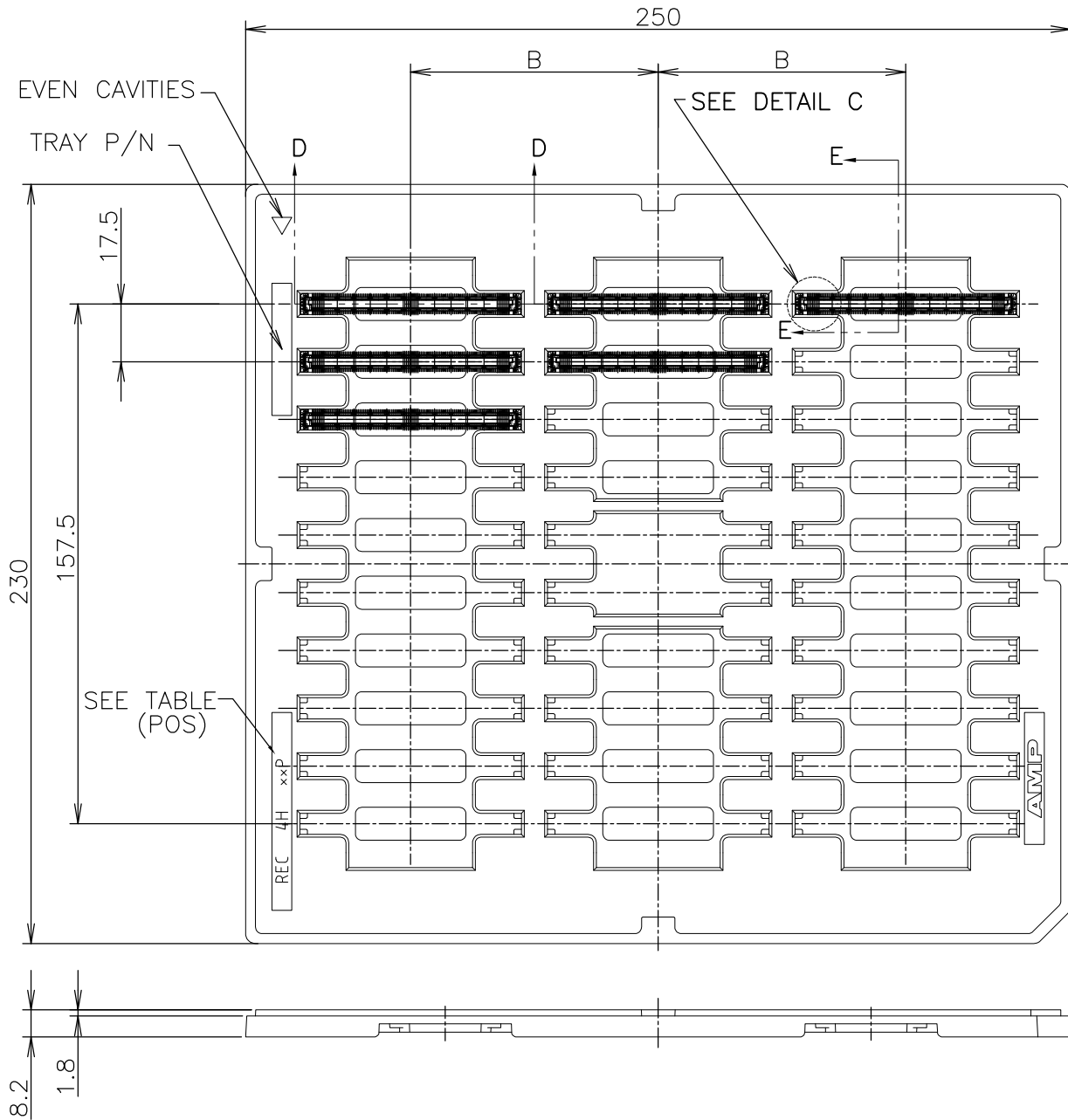
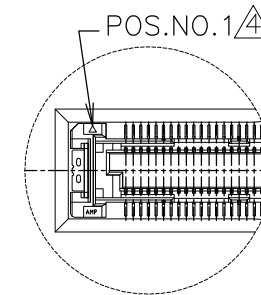


REVISIONS

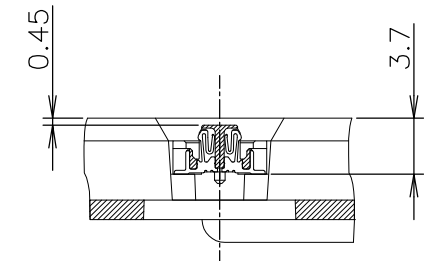
P	LTR	DESCRIPTION	DATE	DWN	APVD
B1		REVISED PER ECO-11-005033	26MAR11	RK	HMR
B2		REVISED PER ECO-16-014598	24NOV16	B.J	S.Y



SECT. D-D
(SCALE 2:1)
(CONNECTOR NOT SECTION)



DETAIL C
(SCALE 2:1)



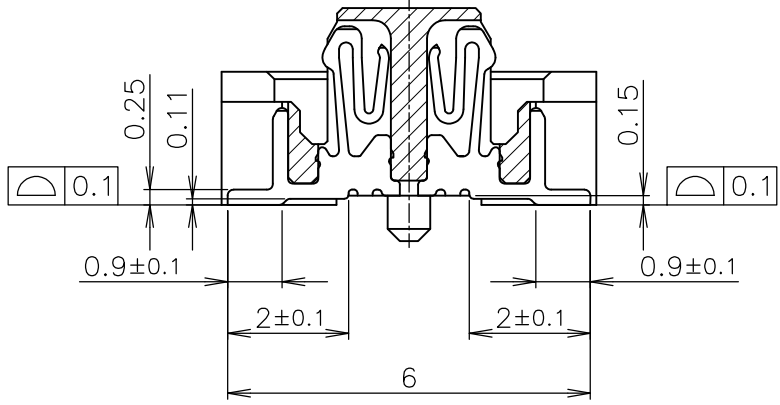
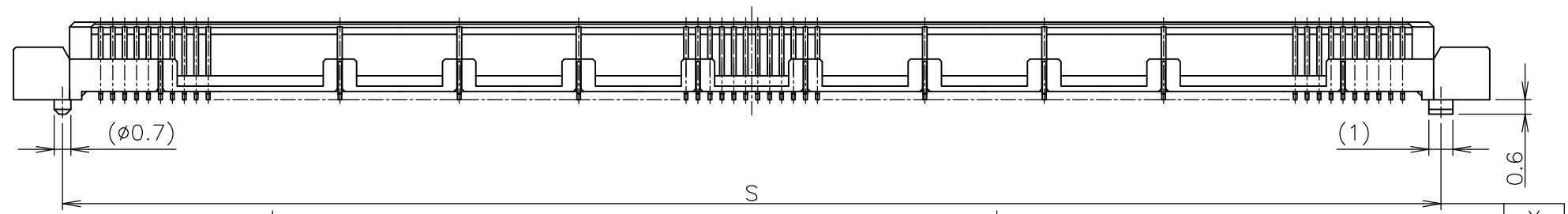
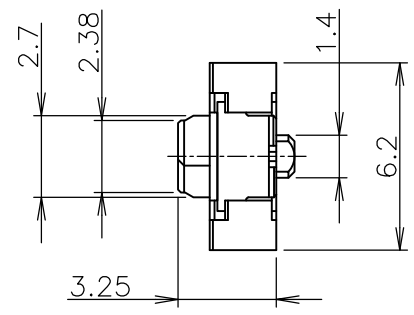
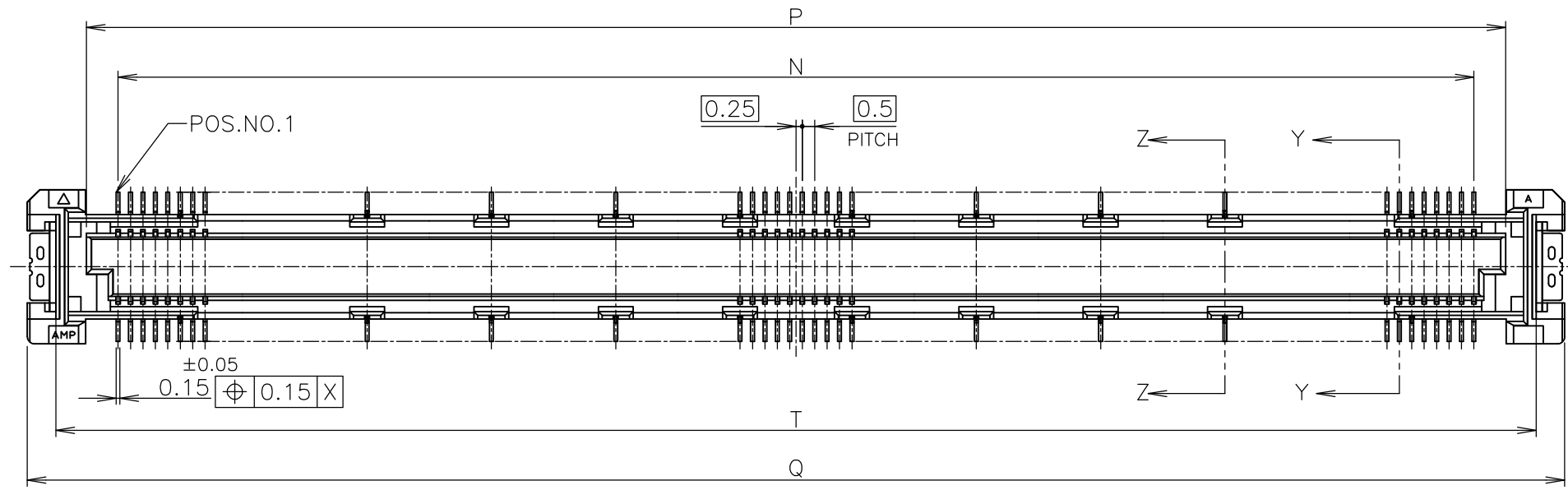
E-E
(SCALE 2:1)

(B)	YES	3	30	75	61.8	220	8-6318490-6
	NO	3	30	75	61.8	220	3-6318490-6
	SEALANT	ROW	QTY	B	A	POS.	PART NO.

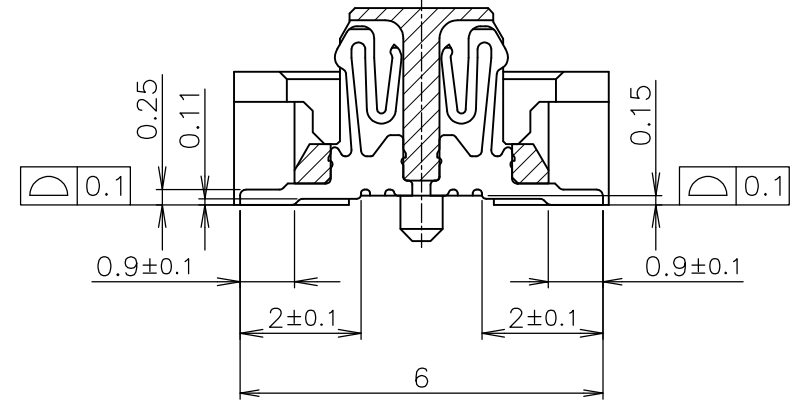
THIS DRAWING IS A CONTROLLED DOCUMENT.		DWN	BILL LV	150CT10	STE TE Connectivity		
DIMENSIONS: MM		CHK	MARTIN LI	150CT10			
TOLERANCES UNLESS OTHERWISE SPECIFIED:		APVD	STEVEN YAO	150CT10	NAME		
0 PLC ± 0.3		PRODUCT SPEC		HARD TRAY ASSY			
1 PLC ± 0.3		108-5560		FH 0.5BTB CONNECTOR 220POS			
2 PLC ± 0.3		APPLICATION SPEC		REC 4H WITH GROUND PLATE			
3 PLC ± 0.3		SIZE	A3	CAGE CODE	00779	DRAWING NO	C-6318490
4 PLC ± 0.3		WEIGHT			RESTRICTED TO		
ANGLES ± 3°		CUSTOMER DRAWING		SCALE	1:2	SHEET	1 OF 3
FINISH				REV	B2		

THIS DRAWING IS UNPUBLISHED. RELEASED FOR PUBLICATION .2002.
 © COPYRIGHT 2002 By - ALL RIGHTS RESERVED.

REVISIONS					
P	LTR	DESCRIPTION	DATE	DWN	APVD
-	-	SEE SHEET 1	-	-	-



SECT. Z-Z
(GROUND POSITION)
(SCALE 8:1)



SECT. Y-Y
(SIGNAL POSITION)
(SCALE 8:1)

59.5	57.7	61.8	57.1	54.5	220	BLACK	8-6318490-6
59.5	57.7	61.8	57.1	54.5	220	BLACK	3-6318490-6
T	S	Q	P	N	POS.	HSG COLOR	PART NO.

THIS DRAWING IS A CONTROLLED DOCUMENT.		DWN	STE TE Connectivity				
DIMENSIONS: MM		CHK					
TOLERANCES UNLESS OTHERWISE SPECIFIED:		APVD	NAME				
0 PLC ± 0.3		PRODUCT SPEC	HARD TRAY ASSY				
1 PLC ± 0.3		APPLICATION SPEC	FH 0.5BTB CONNECTOR 220POS				
2 PLC ± 0.3		WEIGHT	SIZE	CAGE CODE	DRAWING NO	RESTRICTED TO	
3 PLC ± 0.3		CUSTOMER DRAWING	A3	00779	C-6318490	SCALE 4:1 SHEET 2 OF 3 REV B2	
4 PLC ± 0.3							
ANGLES ± 3'							
FINISH							

THIS DRAWING IS UNPUBLISHED.

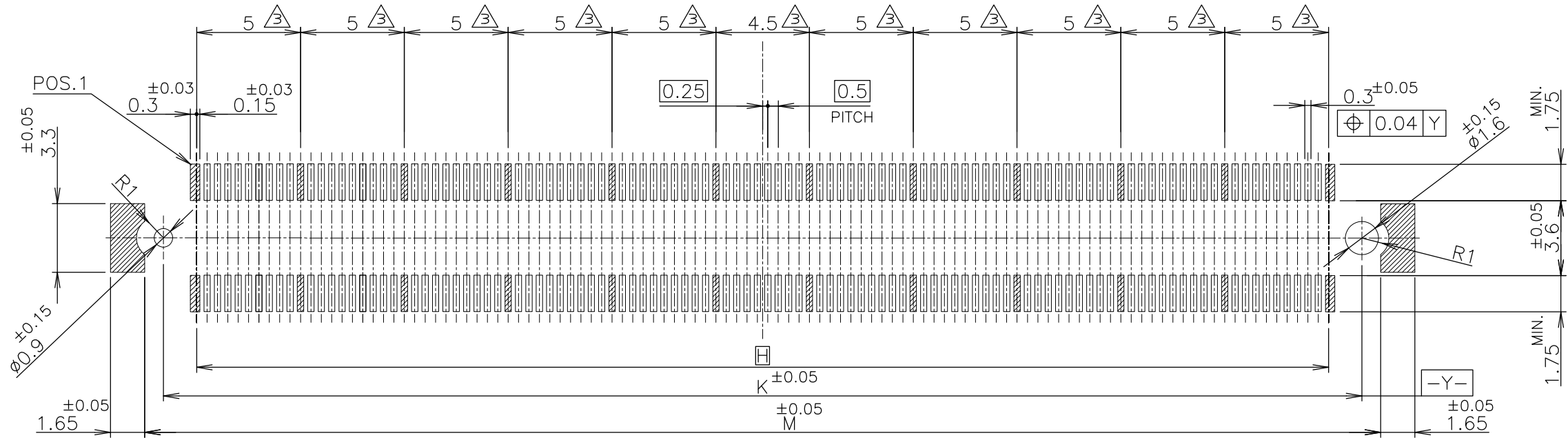
RELEASED FOR PUBLICATION ,2002.

REVISIONS

© COPYRIGHT 2002 By -

ALL RIGHTS RESERVED.

P	LTR	DESCRIPTION	DATE	DWN	APVD
-	-	SEE SHEET 1	-	-	-



REFERENCE P.C.BOARD LAYOUT

NOTES

① MATERIAL ; HOUSING : HIGH TEMP THERMO PLASTIC UL94V-0
 CONTACT : COPPER ALLOY
 SOLDER PEG : COPPER ALLOY

② ③ FINISH ; MEETS THE PERFORMANCE REQUIREMENTS
 OF PRODUCT SPECIFICATION 108-5560
 SOLDER PEG : TIN OVER Ni

④ THIS POSITION IS GROUND CIRCUIT.

⑤ THE PRODUCT WAS COATED BY FLUX-PENETRATION-INHIBITING AGENT.

59.5	57.7	54.5	220	8-6318490-6
59.5	57.7	54.5	220	3-6318490-6
M	K	H	POS	PART NO.

THIS DRAWING IS A CONTROLLED DOCUMENT.		DWN		TE Connectivity HARD TRAY ASSY FH 0.5BTB CONNECTOR 220POS REC 4H WITH GROUND PLATE	
DIMENSIONS: MM		CHK			
TOLERANCES UNLESS OTHERWISE SPECIFIED:		APVD			
0 PLC ± 0.3 1 PLC ± 0.3 2 PLC ± 0.3 3 PLC ± 0.3 4 PLC ± 0.3 ANGLES ± 3°		PRODUCT SPEC			
MATERIAL		FINISH		APPLICATION SPEC	
		WEIGHT		RESTRICTED TO	
		CUSTOMER DRAWING		SCALE 4:1 SHEET 3 of 3 REV B2	
		SIZE A3		CAGE CODE 00779	
		DRAWING NO C-6318490			