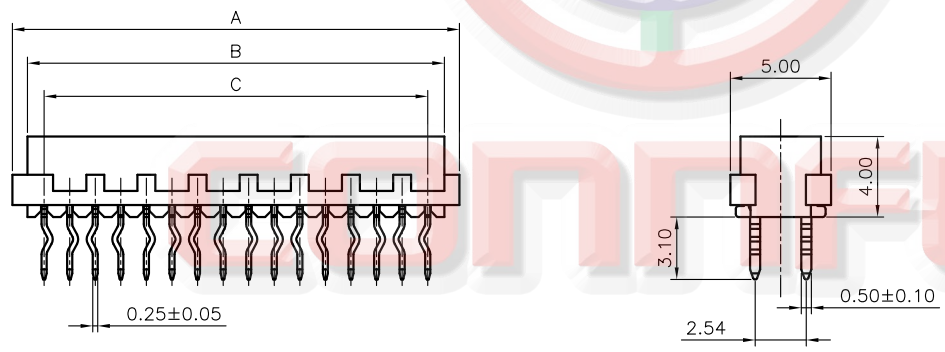
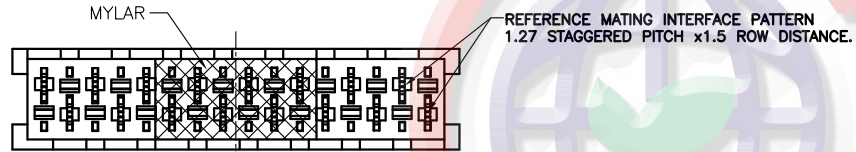


REV.	DESCRIPTION	DRAWN	CHECKED	APPROVED
A	NEW RELEASE	DGQ 06/14/11'		LJC 06/14/11'
B	ADD P/N CODE	JLZ 01/04/15'		LJC 01/04/15'
C	PACKING TYPE CHANGE	JLZ 02/10/15'		

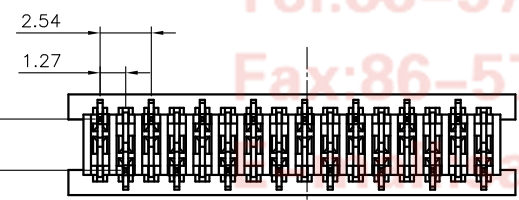


NOTES:

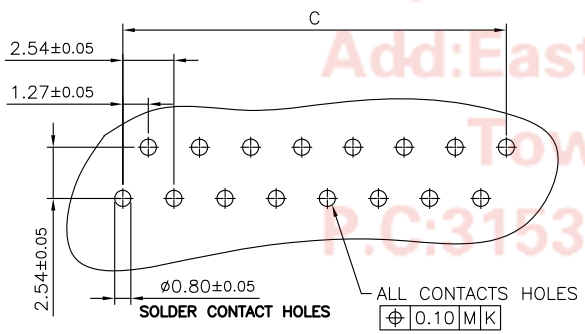
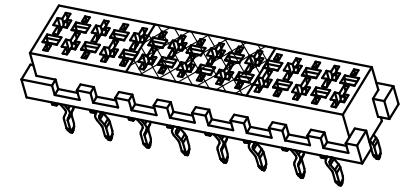
- MATERIAL
 - INSULATOR:THERMOPLASTIC(UL 94V-0).
 - CONTACT: 0.25t COPPER ALLOY.
- SPECIFICATION
 - TEMPERATURE RANGE:-40°C~+105°C.
 - CONTACT RESISTANCE:30mΩ max.
 - INSULATION RESISTANCE:1000MΩ min.
 - DIELECTRIC WITHSTANDING VOLTAGE:AC 500V PER MINUTE.
- PRODUCT NUMBER CODE:
DS1015-04 - X X X X X

- PACKING TYPE (C)
- B: Tube
- R: TAPE ON REEL
- MYLAR SUPPORT (B)
- S: W/ MYLAR
- X: W/O MYLAR
- CONTACT PLATING
- 6: FULL MATT TIN
- HOUSING COLOR
- R: RED
- No. OF CONTACTS
- 04 06 08 10 12 14
- 16 18 20 22 24

CONTACT ROW-DISTANCE



POSITIONS	DIM A	DIM B	DIM C
4	6.96	5.46	3.81
6	9.50	8.00	6.35
8	12.04	10.54	8.89
10	14.58	13.08	11.43
12	17.12	15.62	13.97
14	19.66	18.16	16.51
16	22.20	20.70	19.05
18	24.74	23.24	21.59
20	27.28	25.78	24.13
22	29.82	28.32	26.67
24	32.36	30.86	29.21



RECOMMEND PCB LAYOUT
(COMPONENT SIDE OF BOARD SHOWN)

GENERAL TOLERANCE		ANGLE TOLERANCE		PROJECTION		TITLE	MICRO MATCH FEMALE VERTICAL THROUGH HOLE TYPE	
X.	±0.60	X.	±5°	UNITS	mm			
.X	±0.38	.X	±3°	SHEET SIZE	A4	SERIES	DS1015-04 SERIES	
.XX	±0.25	.XX	±2°	晨翔电子有限公司 CONNFLY CONNFLY ELECTRONIC CO. LTD				
DRAWING TYPE		CUSTOMER						
SCALE	1:1	SHEET	1 OF 1					
DRAWING NO.				C-DS1015-04-XXXX-C				

Tel:86-574-63508727
 Fax:86-574-63510817
 Email:sales@connfly.com
 http://www.connfly.com
 Add:East Industry Zone, Xiangyan
 Town Cixi Ningbo China
 P.C:315333