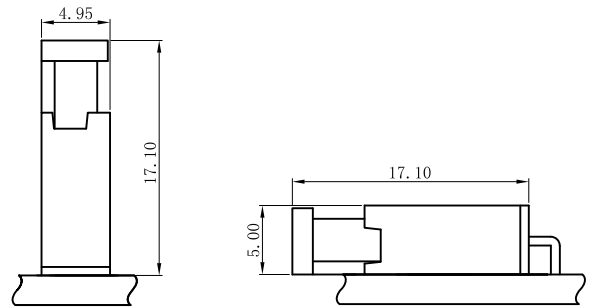


**SPECIFICATIONS:**

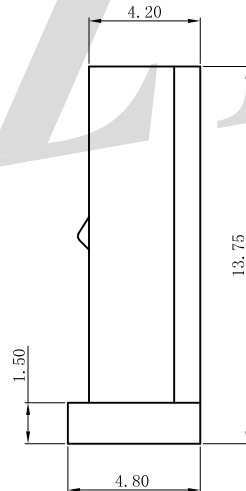
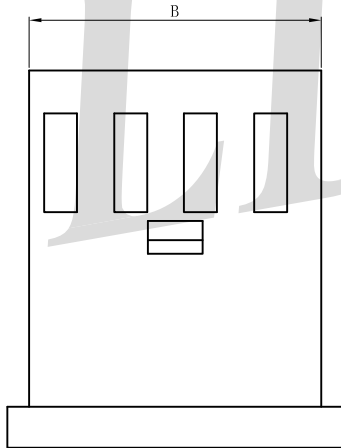
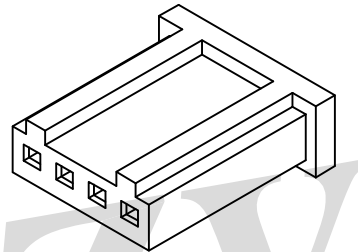
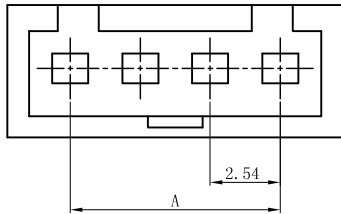
- Voltage Rating: 250V AC/DC
- Current Rating: 3A AC/DC
- Withstanding Voltage: 1000V AC/Minute
- Temperature Range: -40°C~+105°C
- Insulation Resistance: 1000MΩ Min.
- Contact Resistance: 20mΩ Max.
- Applicable Wire Range: AWG#22~26.

**Assembly Layout:**



**A2543HF-NP-P0BK**

2.54mm Pitch Single Row Housing



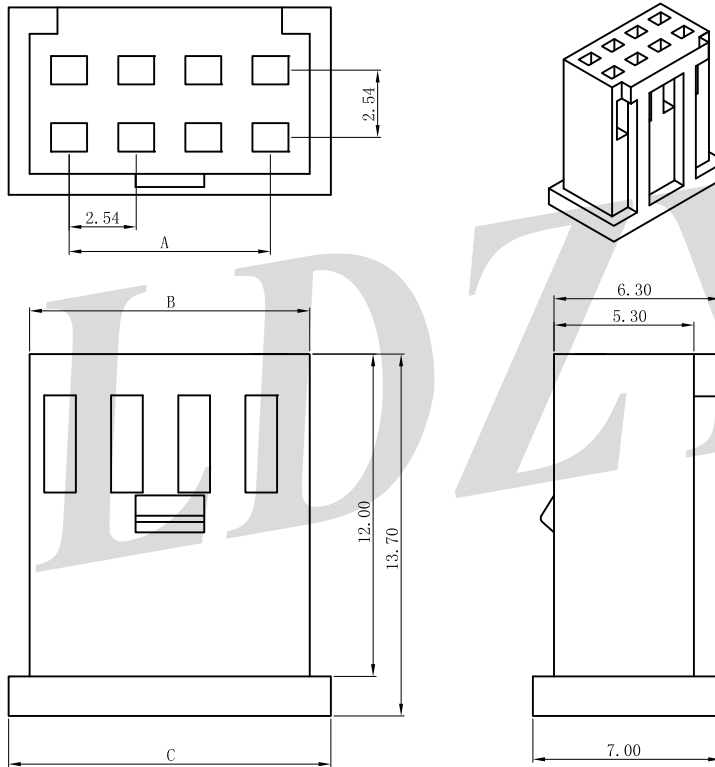
**Reference Informations:**

- \*Material:  
Housing: PBT UL94V-0/Black
- \*Suitable LDZY A2543 series Terminal
- \*Mates with LDZY A2543 series Wafer

Poles	Dimensions (mm)	
	A	B
02	2.54	5.60
03	5.08	8.14
04	7.62	10.68
05	10.16	13.22
06	12.70	15.76
07	15.24	18.30
08	17.78	20.84
09	20.32	23.38
10	22.86	25.92
11	25.40	28.46
12	27.94	31.00
13	30.48	33.54
14	32.02	36.08
15	35.56	38.62
16	38.10	41.16
17	40.64	43.70
18	43.18	46.24
19	45.72	48.78
20	48.26	51.32

## A2543HF-2NP-P0BK

### 2.54mm Pitch Dual Row Housing



#### Reference Informations:

##### \*Material:

Housing: PBT UL94V-0/Black

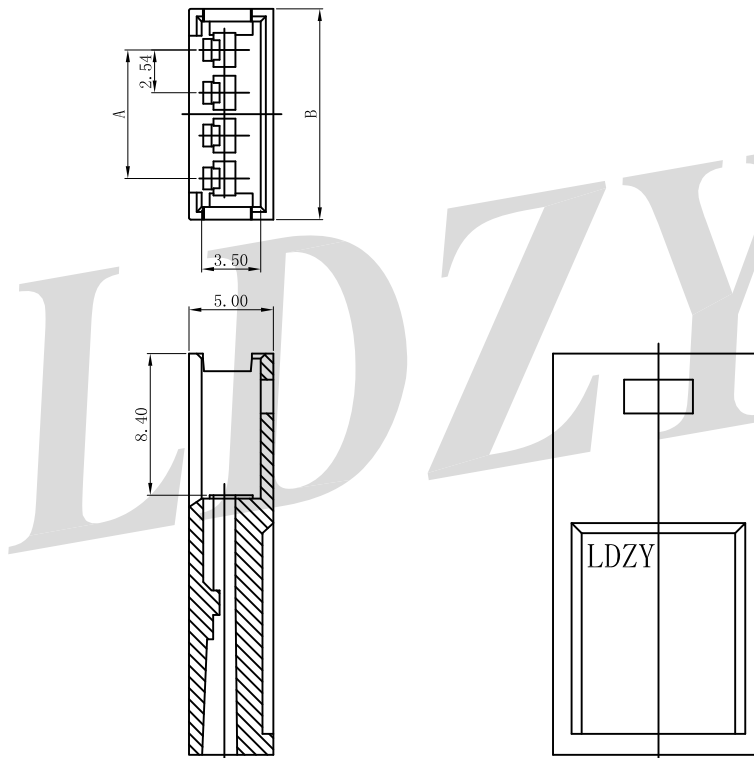
\*Suitable LDZY A2543 series Terminal

\*Mates with LDZY A2543 series Wafer  
Ordering Information & Dimensions

Poles	Dimensions (mm)		
	A	B	C
2*2P	2.54	5.52	7.12
2*3P	5.08	8.06	9.66
2*4P	7.62	10.60	12.20
2*5P	10.16	13.14	14.74
2*6P	12.70	15.68	17.28
2*7P	15.24	18.22	17.78
2*8P	17.78	20.76	19.82
2*9P	20.32	23.30	22.36
2*10P	22.86	25.84	24.90
2*11P	25.40	28.38	27.44
2*12P	27.94	30.92	29.98
2*13P	30.48	33.46	32.52
2*14P	32.02	36.00	35.06
2*15P	35.56	38.54	37.60
2*16P	38.10	41.08	40.14
2*17P	40.64	43.62	42.86
2*18P	43.18	46.16	45.22
2*19P	45.72	48.70	47.76
2*32P	78.74	81.72	83.32

## A2543HM-NP-N0BK

### 2.54mm Pitch Single Row Housing



#### Reference Informations:

##### \*Material:

Housing: PBT UL94V-0/Black

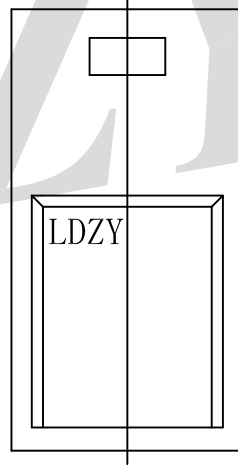
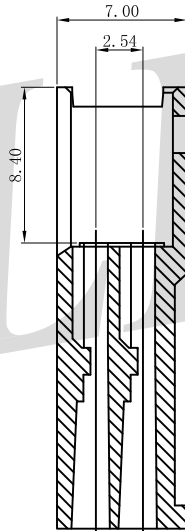
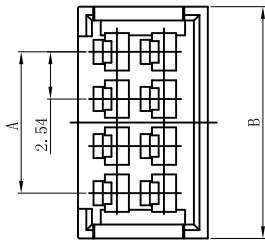
\*Suitable LDZY A2543 series Terminal

\*Mates with LDZY A2543 Female Housing  
Ordering Information & Dimensions

Poles	Dimensions (mm)	
	A	B
02	2.54	7.42
03	5.08	9.96
04	7.62	12.50
05	10.16	15.04
06	12.70	17.58
07	15.24	20.12
08	17.78	22.66
09	20.32	25.20
10	22.86	27.74
11	25.40	30.28
12	27.94	32.82
13	30.48	35.36
14	32.02	37.90
15	35.56	40.44
16	38.10	42.98
17	40.64	45.52
18	43.18	48.06
19	45.72	50.06
20	48.26	53.14

## A2543HM-2NP-N0BK

2.54mm Pitch Dual Row Housing



**Reference Informations:**

\*Material:

Housing: PBT UL94V-0/Black

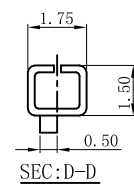
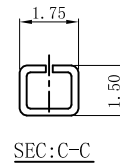
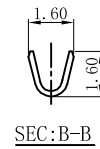
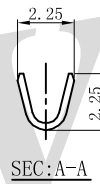
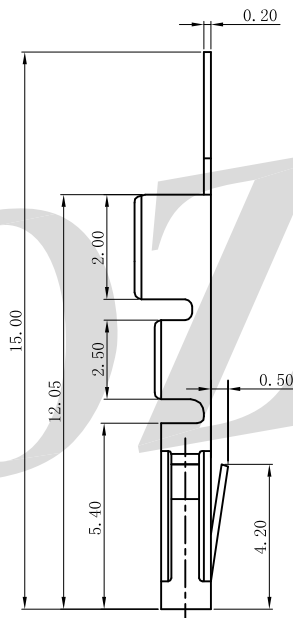
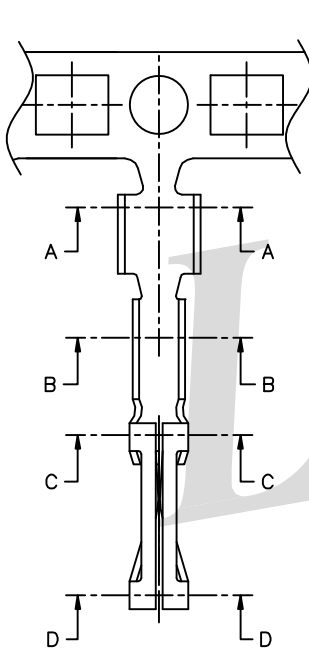
\*Suitable LDZY A2543 series Terminal

\*Mates with LDZY A2543 Female Housing  
Ordering Information & Dimensions

Poles	Dimensions (mm)	
	A	B
2*2P	2.54	7.42
2*3P	5.08	9.96
2*4P	7.62	12.50
2*5P	10.16	15.04
2*6P	12.70	17.58
2*7P	15.24	20.12
2*8P	17.78	22.66
2*9P	20.32	25.20
2*10P	22.86	27.74
2*11P	25.40	30.28
2*12P	27.94	32.82
2*13P	30.48	35.36
2*14P	32.02	37.90
2*15P	35.56	40.44
2*16P	38.10	42.98
2*17P	40.64	45.52
2*18P	43.18	48.06
2*19P	45.72	50.60
2*20P	48.26	53.14

## A2543TF-PT1

2.54mm Pitch Terminal



**Reference Informations:**

\*Material: Phosphor Bronze/Tin-plated

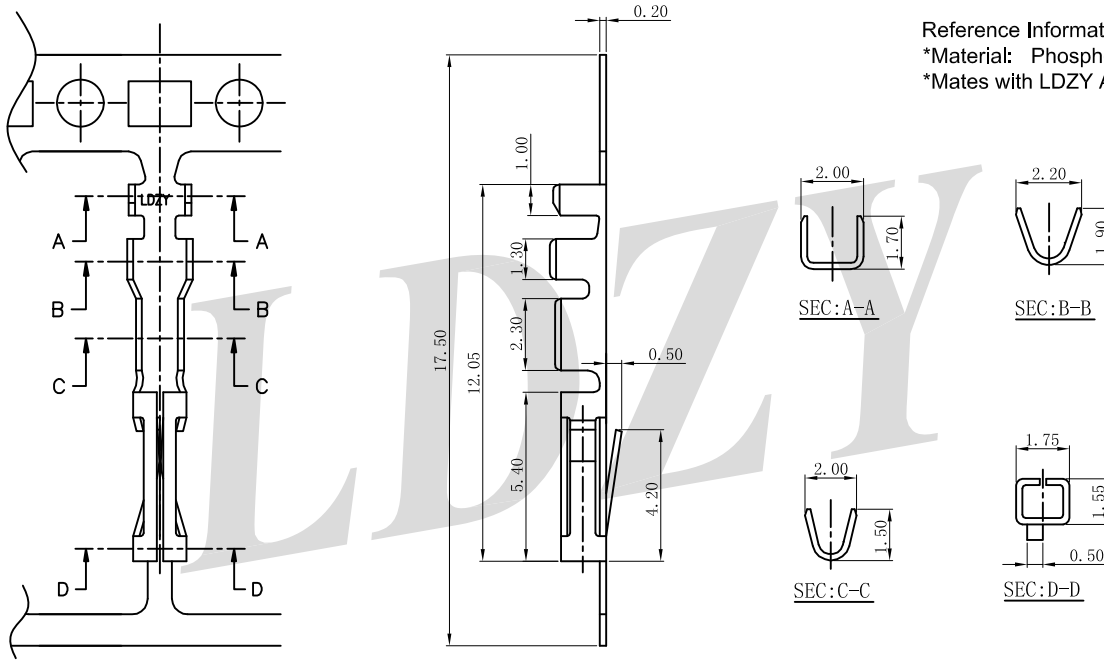
\*Mates with LDZY A2543series Housing

**Ordering Information & Specifications**

Part No	Wire Range	Insulation O.D.	Material	Finish	Qty/reel
A2543TF-PT1	AWG#22-#30	1.55mm(max)	Phosphor Bronze	Tin-plated	15,000pcs

## A2543TFA-PT1

### 2.54mm Pitch Terminal



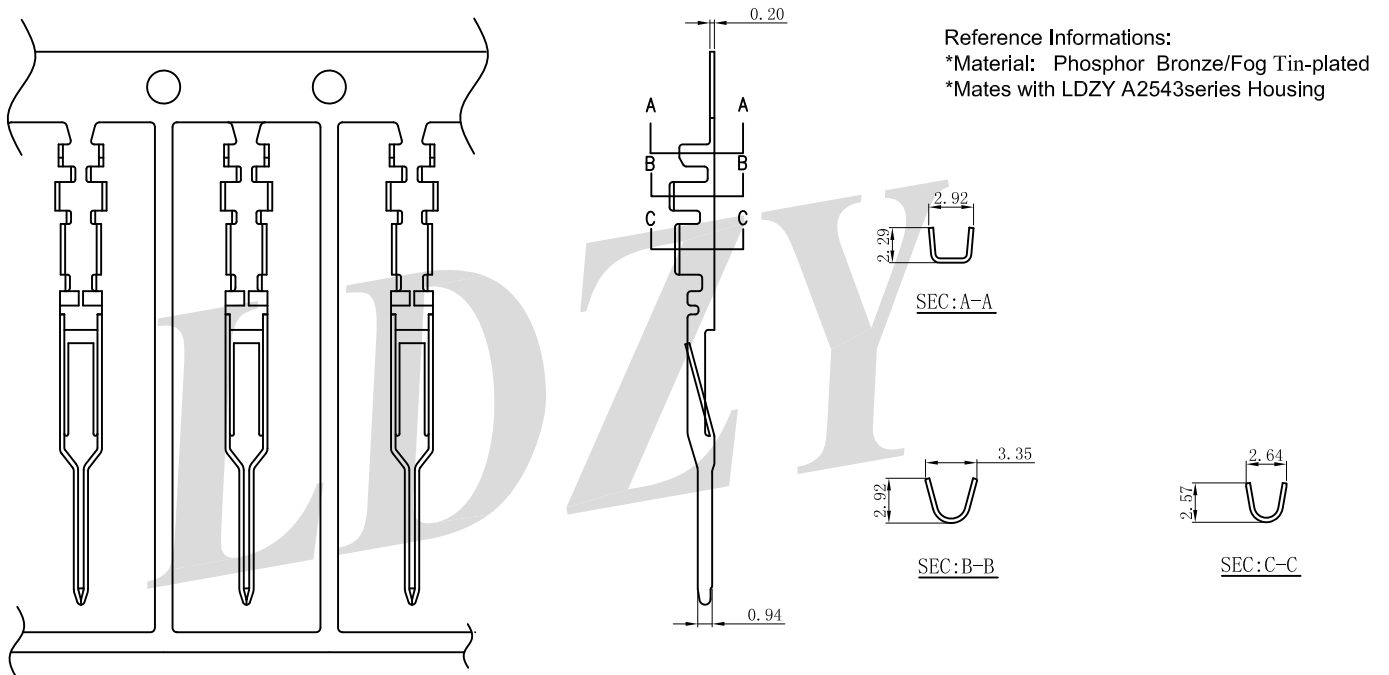
Reference Informations:  
 \*Material: Phosphor Bronze/Tin-plated  
 \*Mates with LDZY A2543series Housing

#### Ordering Information & Specifications

Part No	Wire Range	Insulation O.D.	Material	Finish	Qty/reel
A2543TFA-PT1	AWG#22-#30	1.55mm(max)	Phosphor Bronze	Tin-plated	15,000pcs

## A2543TMA-PMK

### 2.54mm Pitch Terminal



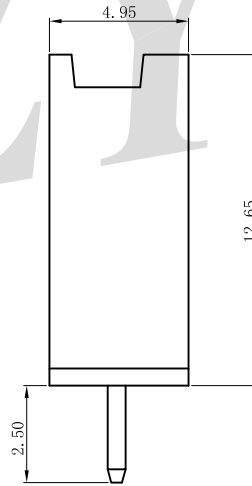
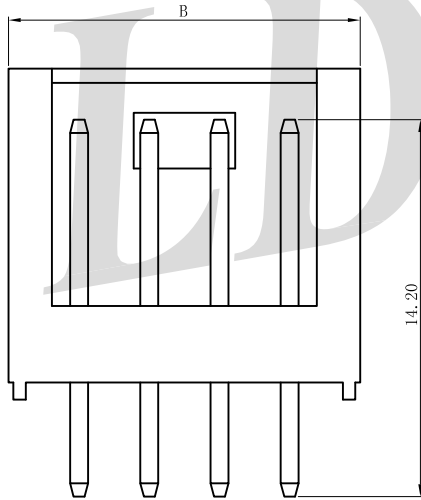
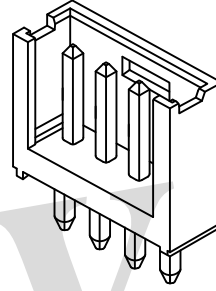
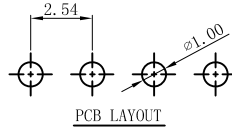
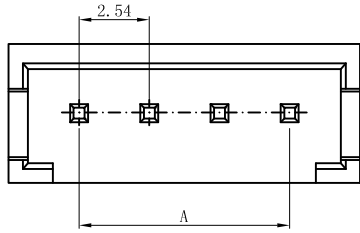
Reference Informations:  
 \*Material: Phosphor Bronze/Fog Tin-plated  
 \*Mates with LDZY A2543series Housing

#### Ordering Information & Specifications

Part No	Wire Range	Insulation O.D.	Material	Finish	Qty/reel
A2543TMA-PMK	AWG#22-#30	1.55mm(max)	Phosphor Bronze	Fog tin-plated	15,000pcs

## A2543WV-NP-P0BKT

2.54mm Pitch 180° Single Row Wafer



**Reference Informations:**

\*Material:

PIN: Brass/Tin plated

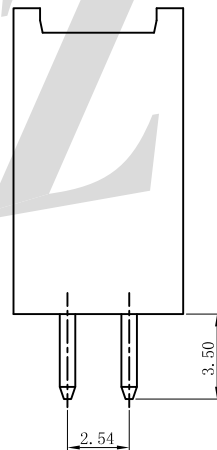
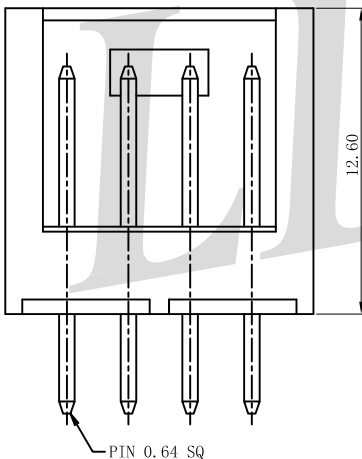
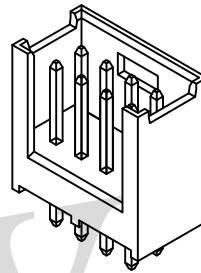
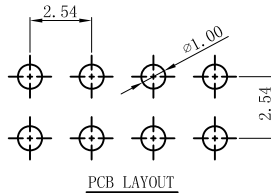
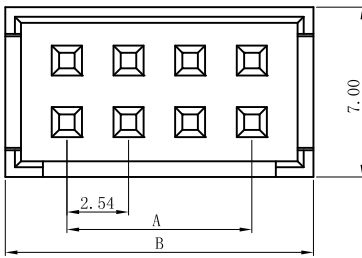
Wafer: PBT,UL94V-0 Black

\*Suitable LDZY A2543 series Housing  
Ordering Information & Dimensions

Poles	Dimensions (mm)	
	A	B
02	2.54	7.70
03	5.08	10.20
04	7.62	15.20
05	10.16	12.70
06	12.70	17.80
07	15.24	20.30
08	17.78	22.90
09	20.32	25.40
10	22.86	28.00
11	25.40	30.50
12	27.94	33.10
13	30.48	35.60
14	32.02	38.10
15	35.56	40.70
16	38.10	43.20
17	40.64	45.70
18	43.18	48.20
19	45.72	50.70
20	48.26	53.20
21	50.80	55.70
22	53.34	58.20

## A2543WV-2NP-P0BKT

2.54mm Pitch 90° Dual Row Wafer



**Reference Informations:**

\*Material:

PIN: Brass/Tin plated

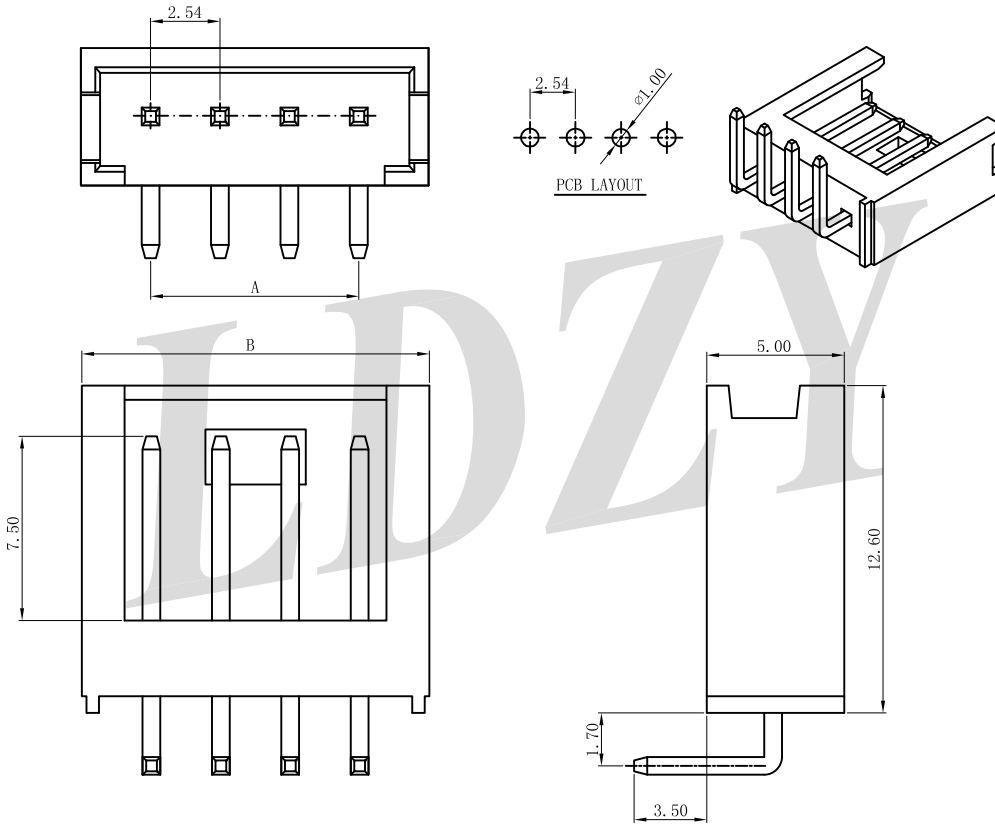
Wafer: PBT,UL94V-0 Black

\*Suitable LDZY A2543 series Housing  
Ordering Information & Dimensions

Poles	Dimensions (mm)	
	A	B
2*2P	2.54	5.52
2*3P	5.08	8.06
2*4P	7.62	10.60
2*5P	10.16	13.14
2*6P	12.70	15.68
2*7P	15.24	18.22
2*8P	17.78	20.76
2*9P	20.32	23.30
2*10P	22.86	25.84
2*11P	25.40	28.38
2*12P	27.94	30.92
2*13P	30.48	33.46
2*14P	32.02	36.00
2*15P	35.56	38.54
2*16P	38.10	41.08
2*17P	40.64	43.62
2*18P	43.18	46.16
2*19P	45.72	48.70
2*32P	78.74	81.72

## A2543WR-NP-P0BKT

2.54mm Pitch 90° Single Row Wafer



**Reference Informations:**

\*Material:

PIN: Brass/Tin plated

Wafer: PBT,UL94V-0 Black

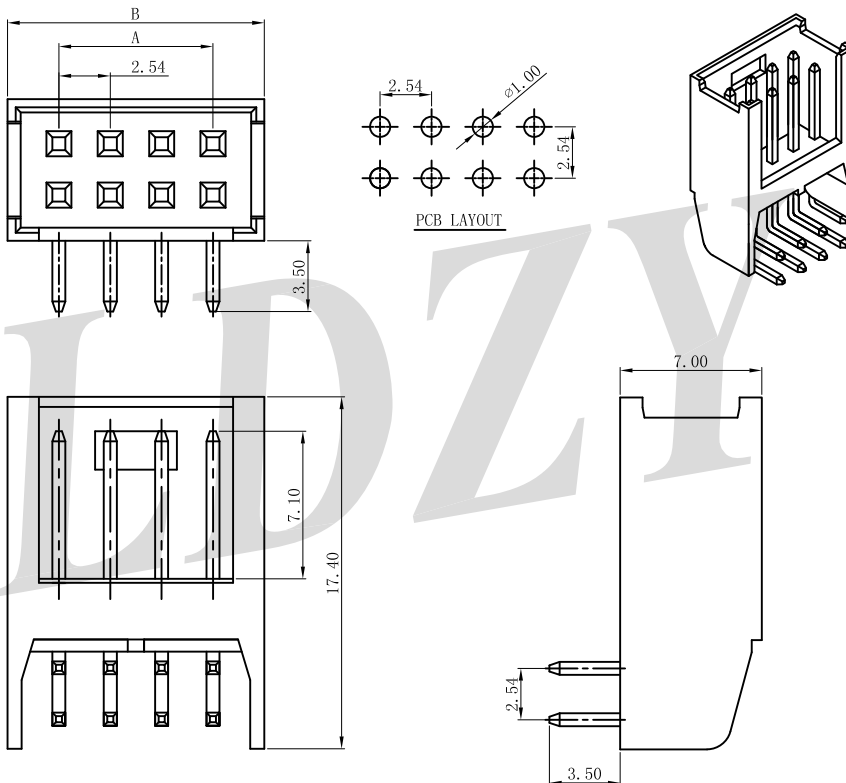
\*Suitable LDZY A2543 series Housing

**Ordering Information & Dimensions**

Poles	Dimensions (mm)	
	A	B
02	2.54	7.70
03	5.08	10.20
04	7.62	15.20
05	10.16	12.70
06	12.70	17.80
07	15.24	20.30
08	17.78	22.90
09	20.32	25.40
10	22.86	28.00
11	25.40	30.50
12	27.94	33.10
13	30.48	35.60
14	32.02	38.10
15	35.56	40.70
16	38.10	43.20
17	40.64	45.70
18	43.18	48.20
19	45.72	50.70
20	48.26	53.20
21	50.80	55.70
22	53.34	58.20

## A2543WR-2NP-P0BKT

2.54mm Pitch 90° Dual Row Wafer



**Reference Informations:**

\*Material:

PIN: Brass/Tin plated

Wafer: PBT,UL94V-0 Black

\*Suitable LDZY A2543 series Housing

**Ordering Information & Dimensions**

Poles	Dimensions (mm)		Poles	Dimensions (mm)	
	A	B		A	B
2*2P	2.54	7.46	2*18P	5.08	8.06
2*3P	5.08	10.00	2*19P	7.62	10.60
2*4P	7.62	12.54	2*20P	10.16	13.14
2*5P	10.16	15.08	2*21P	12.70	15.68
2*6P	12.70	17.62	2*22P	15.24	18.22
2*7P	15.24	20.16	2*23P	17.78	20.76
2*8P	17.78	22.70	2*24P	20.32	23.30
2*9P	20.32	25.24	2*25P	22.86	25.84
2*10P	22.86	27.78	2*26P	25.40	28.38
2*11P	25.40	30.32	2*27P	27.94	30.92
2*12P	27.94	32.86	2*28P	30.48	33.46
2*13P	30.48	35.40	2*29P	32.02	36.00
2*14P	32.02	37.94	2*30P	35.56	38.54
2*15P	35.56	40.48	2*31P	38.10	41.08
2*16P	38.10	43.02	2*32P	38.10	41.08
2*17P	40.64	45.56			