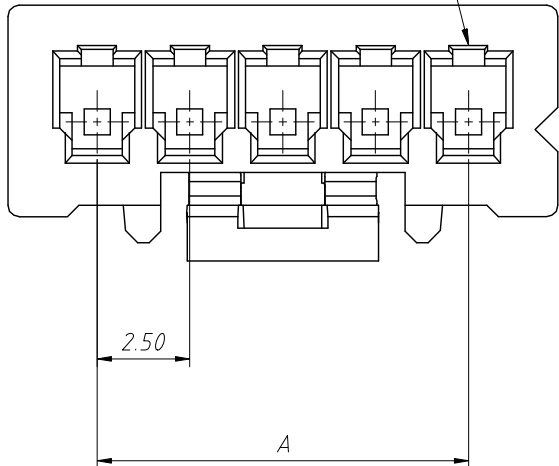


RoHS Compliance

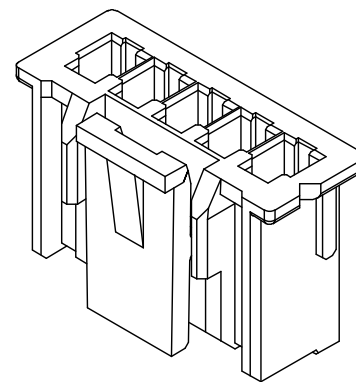
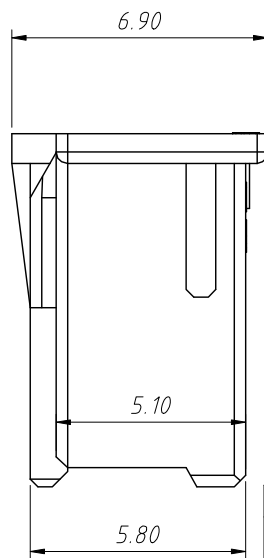
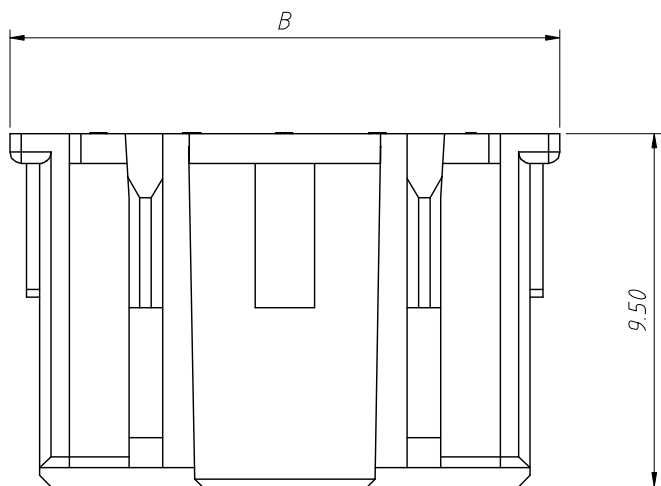
Circuit 1



Pin	Dimensions(mm)	
	A	B
02	2.50	7.30
03	5.00	9.80
04	7.50	12.30
05	10.00	14.80
06	12.50	17.30
07	15.00	19.80
08	17.50	22.30
09	20.00	24.80
10	22.50	27.30
11	25.00	29.80
12	27.50	32.30
13	30.00	34.80
14	32.50	37.30
15	35.00	39.80
16	37.50	42.30

Material:
Housing:PA66,UL94V-0,White

Electrical Characteristics:
Rated Current:3.0AMP
Voltage rating:250V AC,DC
Temperature range:-25°C ~ + 85°C
Insulator Resistance:1000M Ω Min
Withstanding Voltage:1000V AC/minute
Contact Resistance:10m Ω Max



Order Information:
L-KLS1-2.50A-XX-H

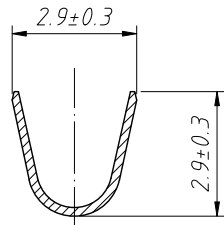
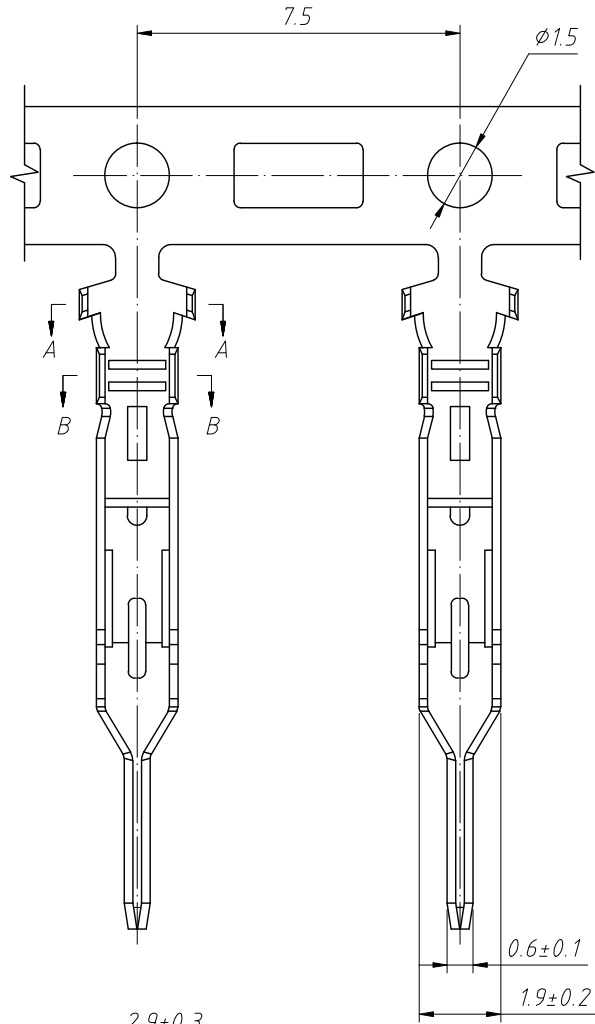
L: RoHS
Pitch:2.50mm
XX-No. of 02 ~ 16pins
Type:
FH /FH2 / H-Housing
FT / MT-Terminal
S / S2-Straight pin
R / R2-Right angle pin
RM / VM-SMT pin

ANGLE TOLERANCE	PROJECTION	Description:	2.50mm Pitch XA Type Wire To Board Connector
$\pm 3^\circ$			
GENERAL TOLERANCE	UNITS	mm	KLS P/N: L-KLS1-2.50A-XX-H
x.x ± 0.30	SHEET SIZE	A4	
x.xx ± 0.20	Draw:	Daniel	2021-01-11
x.xxx ± 0.10	Check:	Daniel	2021-01-11

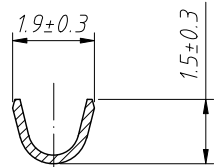


NingBo KLS ELECTRONIC CO.,LTD.

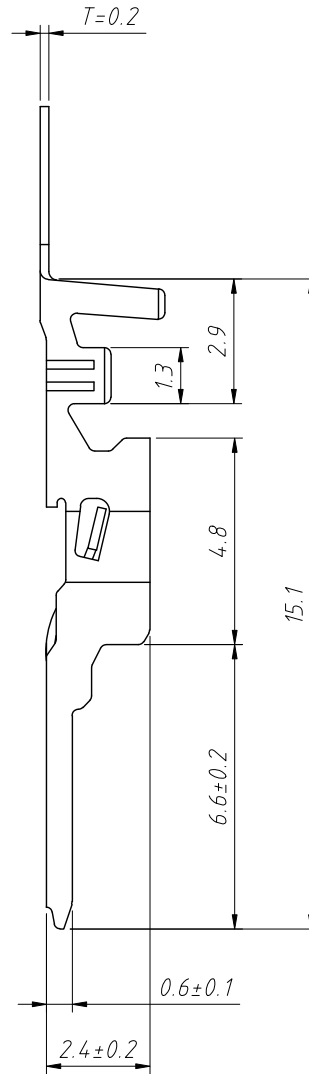
RoHS Compliance



SECTION A-A



SECTION B-B



Material:
 Terminal: Phosphor Bronze
 Plating: Tin plated
 Applicable wires: AWG #22 ~ #28
 Insulation O.D: 1.6mm

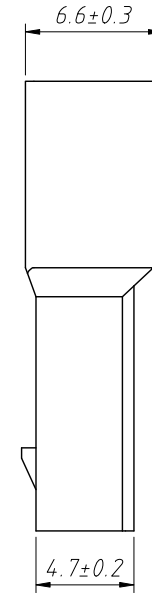
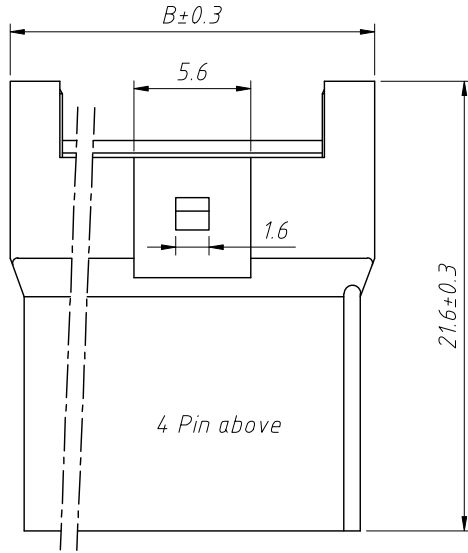
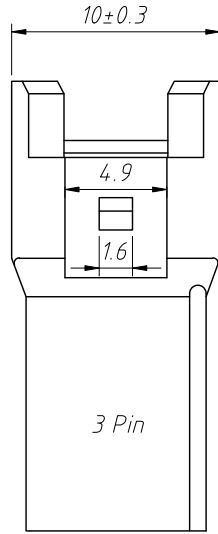
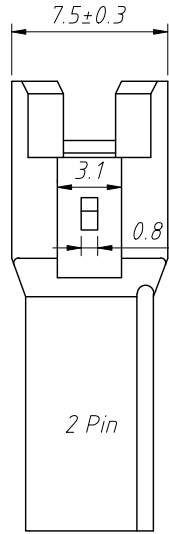
Electrical Characteristics:
 Rated Current: 3.0AMP
 Voltage rating: 250V AC, DC
 Temperature range: -40°C ~ +105°C
 Insulator Resistance: 1000MΩ Min
 Withstanding Voltage: 1000V AC/minute
 Contact Resistance: 10mΩ Max
 After environmental testing: 20mΩ Max

Order Information:
 L-KLS1-2.50A-MT

L: RoHS
 Pitch: 2.50mm
 Type:
 FH / FH2 / H-Housing
 FT / MT-Terminal
 S / S2-Straight pin
 R / R2-Right angle pin
 RM / VM-SMT pin

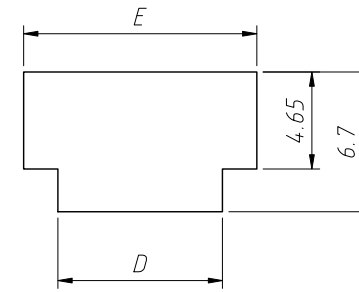
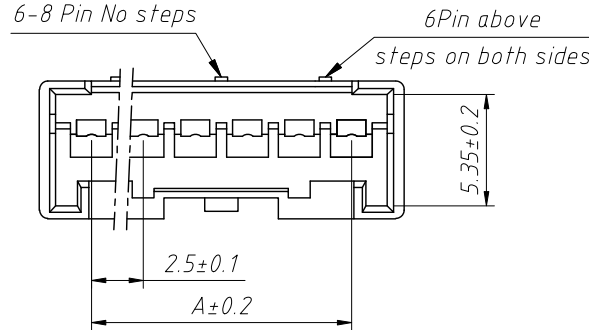
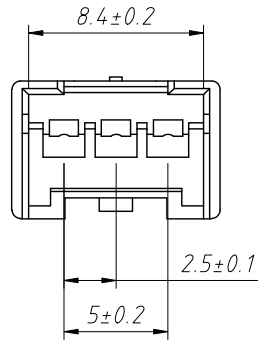
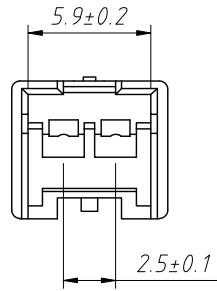
ANGLE TOLERANCE	PROJECTION	Description:	2.50mm Pitch XA Type Wire To Board Connector
±3°			
GENERAL TOLERANCE	UNITS	mm	KLS P/N: L-KLS1-2.50A-MT
x.x ±0.30	SHEET SIZE	A4	NingBo KLS ELECTRONIC CO.,LTD.
x.xx ±0.20	Draw:	Daniel 2021-01-11	
x.xxx ±0.10	Check:	Daniel 2021-01-11	

1 RoHS Compliance



Material:
Housing: PA66, UL94V-0, Natural Color

Electrical Characteristics:
Rated Current: 3.0AMP
Voltage rating: 250V AC, DC
Temperature range: -40°C ~ +105°C
Insulator Resistance: 1000MΩ Min
Withstanding Voltage: 1000V AC/minute
Contact Resistance: 20mΩ Max



Order Information:
L-KLS1-2.50A-XX-FH

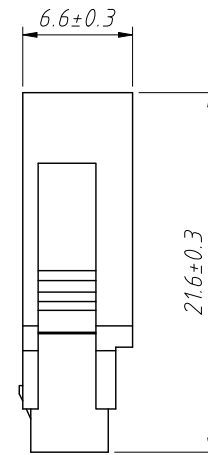
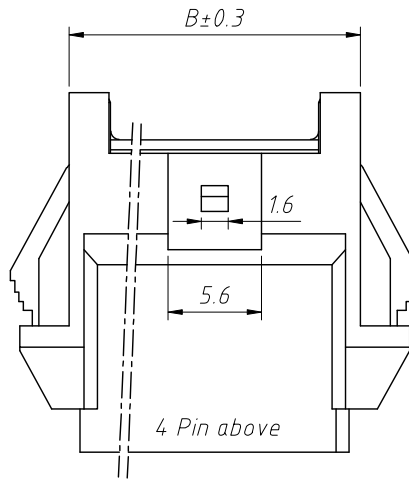
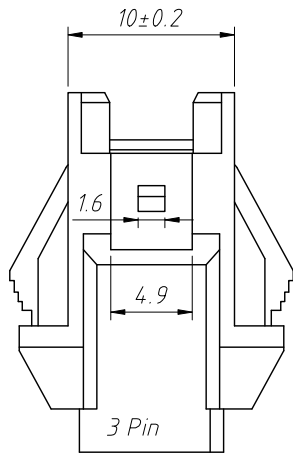
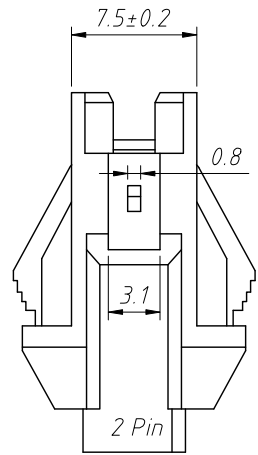
L: RoHS
Pitch: 2.50mm
XX-No. of 02 ~ 20 pins
Type: _____
FH / FH2 / H-Housing
FT / MT-Terminal
S / S2-Straight pin
R / R2-Right angle pin
RM / VM-SMT pin

Pin	Dimensions(mm)					Pin	Dimensions(mm)				
	A	B	C	D	E		A	B	C	D	E
02	2.50	7.50	5.90	7.90	11.20	10	22.50	27.50	25.90	27.90	31.20
03	5.00	10.0	8.40	10.40	13.70	11	25.00	30.00	28.40	30.40	33.70
04	7.50	12.50	10.90	12.90	16.20	12	27.50	32.50	30.90	32.90	36.20
05	10.00	15.00	13.40	15.40	18.70	13	30.00	35.00	33.40	35.40	38.70
06	12.50	17.50	15.90	17.90	21.20	14	32.50	37.50	35.90	37.90	41.20
07	15.00	20.00	18.40	20.40	23.70	15	35.00	40.00	38.40	40.40	43.70
08	17.50	22.50	20.90	22.90	26.20	20	47.50	52.50	50.90	52.90	56.20
09	20.00	25.00	23.40	25.40	28.70						

ANGLE TOLERANCE	PROJECTION	Description:	2.50 mm Crimp Style connectors (Female Housing)	
±3°				
GENERAL TOLERANCE	UNITS	mm	KLS P/N:	L-KLS1-2.50A-XX-FH
x.x ±0.30	SHEET SIZE	A4		
x.xx ±0.20	Draw:	Daniel	2021-01-11	
x.xxx ±0.10	Check:	Daniel	2021-01-11	

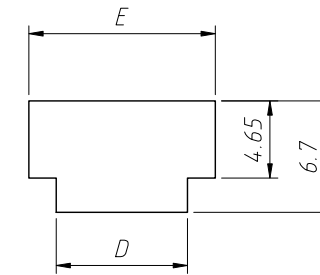
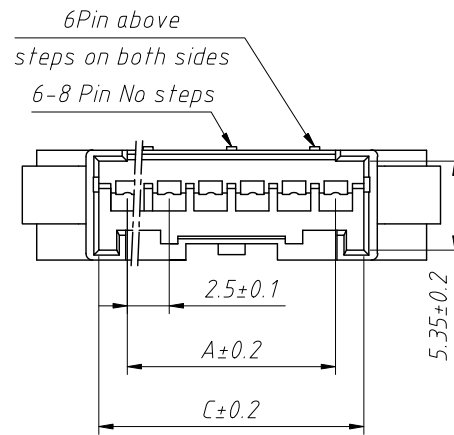
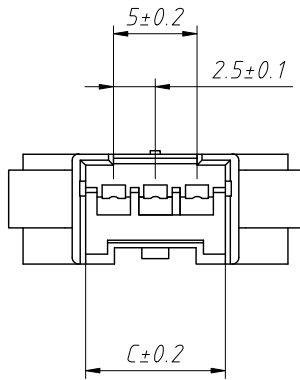
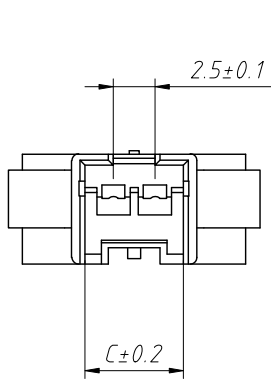
NingBo KLS ELECTRONIC CO.,LTD.

RoHS Compliance



Material:
Housing:PA66,UL94V-0,Natural Color

Electrical Characteristics:
Rated Current:3.0AMP
Voltage rating:250V AC,DC
Temperature range:-40°C~+105°C
Insulator Resistance:1000MΩ Min
Withstanding Voltage:1000V AC/minute
Contact Resistance:20mΩ Max



Order Information:
L-KLS1-2.50A-XX-FH2

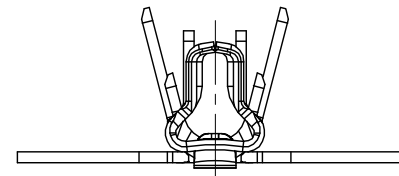
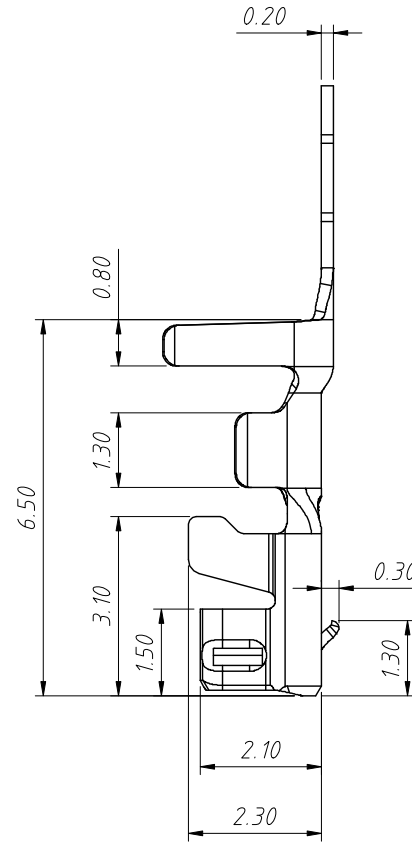
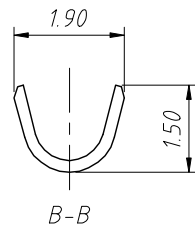
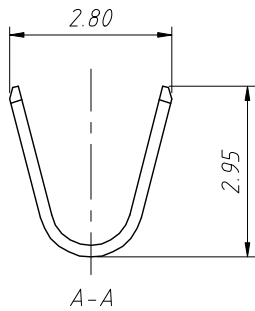
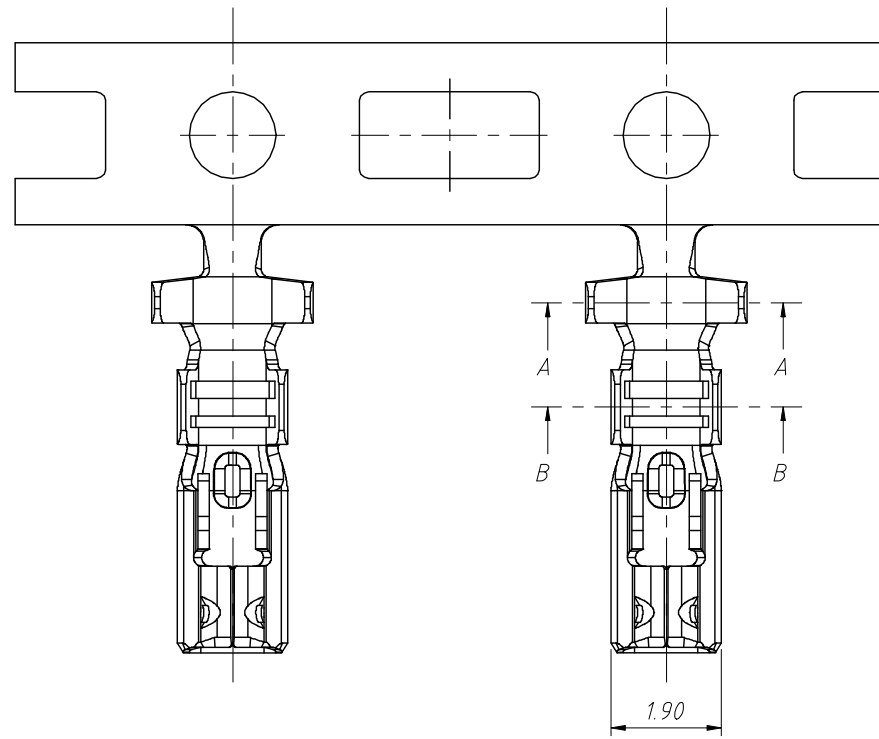
L: RoHS
Pitch:2.50mm
XX-No.of 02~20 pins
Type:
FH /FH2 / H-Housing
FT / MT-Terminal
S / S2-Straight pin
R / R2-Right angle pin
RM / VM-SMT pin

Pin	Dimensions(mm)					Pin	Dimensions(mm)				
	A	B	C	D	E		A	B	C	D	E
02	2.50	7.50	5.90	7.90	11.20	10	22.50	27.50	25.90	27.90	31.20
03	5.00	10.0	8.40	10.40	13.70	11	25.00	30.00	28.40	30.40	33.70
04	7.50	12.50	10.90	12.90	16.20	12	27.50	32.50	30.90	32.90	36.20
05	10.00	15.00	13.40	15.40	18.70	13	30.00	35.00	33.40	35.40	38.70
06	12.50	17.50	15.90	17.90	21.20	14	32.50	37.50	35.90	37.90	41.20
07	15.00	20.00	18.40	20.40	23.70	15	35.00	40.00	38.40	40.40	43.70
08	17.50	22.50	20.90	22.90	26.20	20	47.50	52.50	50.90	52.90	56.20
09	20.00	25.00	23.40	25.40	28.70						

ANGLE TOLERANCE	PROJECTION	Description:		
±3°		2.50 mm Crimp Style connectors		
GENERAL TOLERANCE	UNITS	mm	KLS P/N:	L-KLS1-2.50A-XX-FH2
x.x ±0.30	SHEET SIZE	A4		
x.xx ±0.20	Draw:	Daniel	2021-01-11	
x.xxx ±0.10	Check:	Daniel	2021-01-11	

NingBo KLS ELECTRONIC CO.,LTD.

RoHS Compliance



Material:
 Terminal: Phosphor Bronze
 Plating: Tin plated
 Applicable wires: AWG #20 ~ #28
 Insulation O.D.: 1.9mm
 Qty/reel: 8000 pcs

Electrical Characteristics:
 Rated Current: 3.0AMP
 Voltage rating: 250V AC, DC
 Temperature range: -25°C ~ +85°C
 Insulator Resistance: 1000MΩ Min
 Withstanding Voltage: 1000V AC/minute
 Contact Resistance: 10mΩ Max

Order Information:

L-KLS1-2.50A-FT

L: RoHS

Pitch: 2.50mm

Type:

FH / FH2 / H-Housing

FT / MT-Terminal

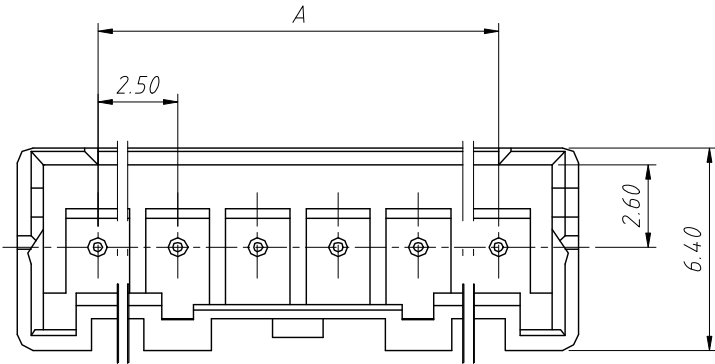
S / S2-Straight pin

R / R2-Right angle pin

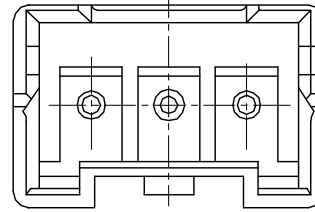
RM / VM-SMT pin

ANGLE TOLERANCE	PROJECTION	Description:	2.50mm Pitch XA Type Wire To Board Connector
±3°			
GENERAL TOLERANCE	UNITS	mm	KLS P/N: L-KLS1-2.50A-FT
x.x ±0.30	SHEET SIZE	A4	NingBo KLS ELECTRONIC CO.,LTD.
x.xx ±0.20	Draw:	Daniel 2021-01-11	
x.xxx ±0.10	Check:	Daniel 2021-01-11	

RoHS Compliance



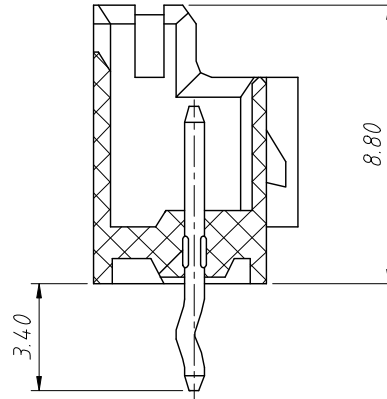
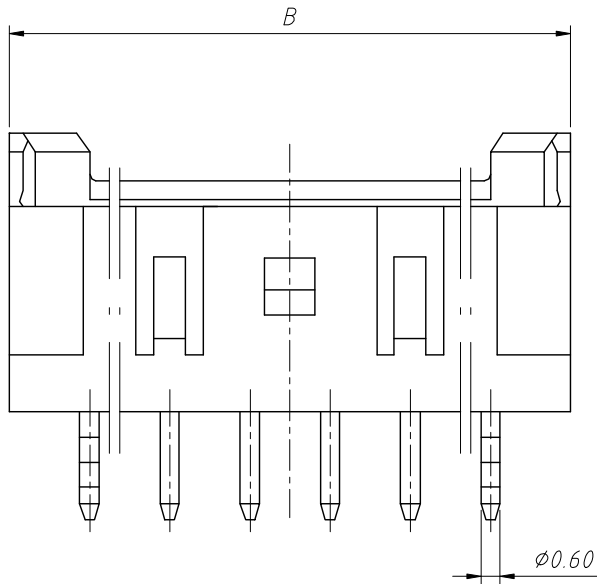
04P Above



02P ~ 03P

Material:
PIN:Phosphor Bronze,Tin-plated
Wafer:PA66, UL 94 V-0,Natrual

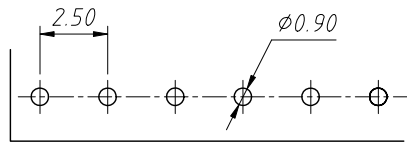
Electrical Characteristics:
Rated Current:3.0AMP
Voltage rating:250V AC,DC
Temperature range:-25°C ~ + 85°C
Insulator Resistance:1000M Ω Min
Withstanding Voltage:1000V AC/minute
Contact Resistance:10m Ω Max



Pin	Dimensions(mm)	
	A	B
02	2.50	7.50
03	5.00	10.00
04	7.50	12.50
05	10.00	15.00
06	12.50	17.50
07	15.00	20.00
08	17.50	22.50
09	20.00	25.00
10	22.50	27.50
11	25.00	30.00
12	27.50	32.50
13	30.00	35.00
14	32.50	37.50
15	35.00	40.00
16	37.50	42.50

Order Information:
L-KLS1-2.50A-XX-S

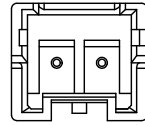
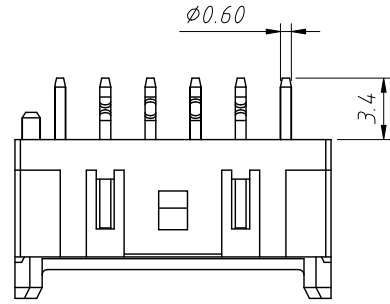
L: RoHS
Pitch:2.50mm
XX-No. of 02 ~ 16pins
Type:
FH /FH2 / H-Housing
FT / MT-Terminal
S / S2-Straight pin
R / R2-Right angle pin
RM / VM-SMT pin



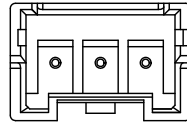
PCB LAYOUT

ANGLE TOLERANCE	PROJECTION	Description:	2.50mm Pitch XA Type Wire To Board Connector
$\pm 3^\circ$			
GENERAL TOLERANCE	UNITS	mm	KLS P/N: L-KLS1-2.50A-XX-S
x.x ± 0.30	SHEET SIZE	A4	NingBo KLS ELECTRONIC CO.,L TD.
x.xx ± 0.20	Draw:	Daniel 2021-01-11	
x.xxx ± 0.10	Check:	Daniel 2021-01-11	

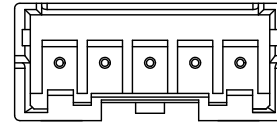
1 RoHS Compliance



2PIN



3PIN



4~5PIN

Material:

Pin: Brass, Tin-plated

Wafer: PA66, UL94 V-0, Natural

Electrical Characteristics:

Rated Current: 3.0AMP

Voltage rating: 250V AC, DC

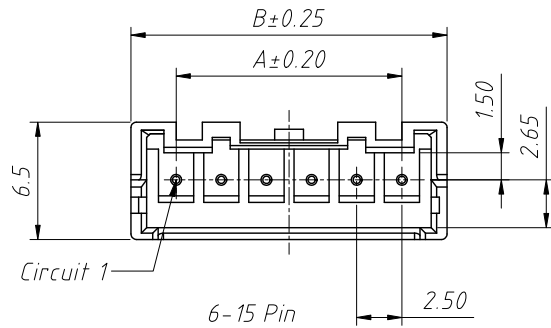
Temperature range: -40°C ~ +105°C

Insulator Resistance: 1000MΩ Min

Withstanding Voltage: 1000V AC/minute

Contact Resistance: 10mΩ Max

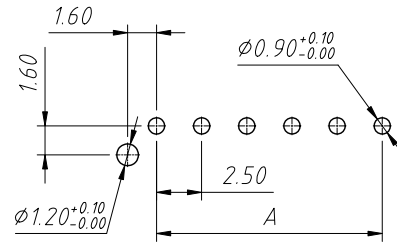
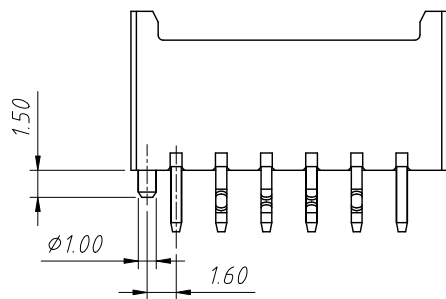
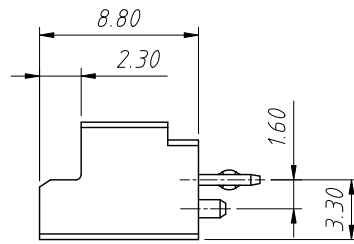
After environmental testing: 20mΩ Max



Circuit 1

6-15 Pin

2.50



Pin	Dimensions(mm)	
	A	B
02	2.50	7.50
03	5.00	10.00
04	7.50	12.50
05	10.00	15.00
06	12.50	17.50
07	15.00	20.00
08	17.50	22.50
09	20.00	25.00
10	22.50	27.50
11	25.00	30.00
12	27.50	32.50
13	30.00	35.00
-	-	-
20	47.50	52.50

Order Information:

L-KLS1-2.50A-XX-S2

L: RoHS

Pitch: 2.50mm

XX-No. of 02~20pins

Type:

FH / FH2 / H-Housing

FT / MT-Terminal

S / S2-Straight pin

R / R2-Right angle pin

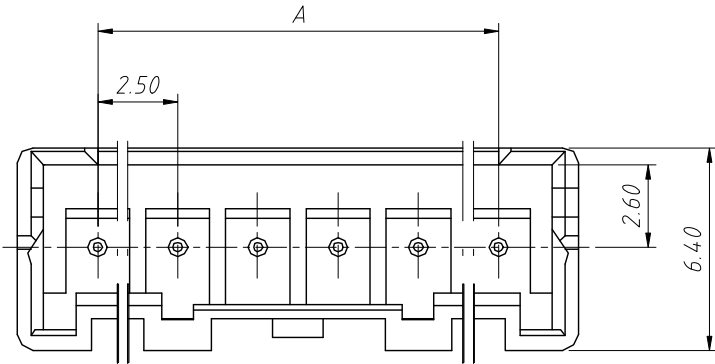
RM / VM-SMT pin

ANGLE TOLERANCE	PROJECTION	Description:
±3°		2.50mm Pitch XA Type Wire To Board Connector
GENERAL TOLERANCE	UNITS	mm
x.x ±0.30	SHEET SIZE	A4
x.xx ±0.20	Draw:	Daniel 2021-01-11
x.xxx ±0.10	Check:	Daniel 2021-01-11

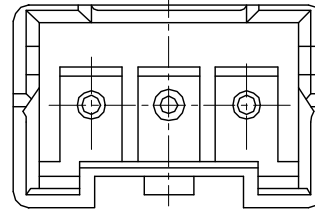


NingBo KLS ELECTRONIC CO.,LTD.

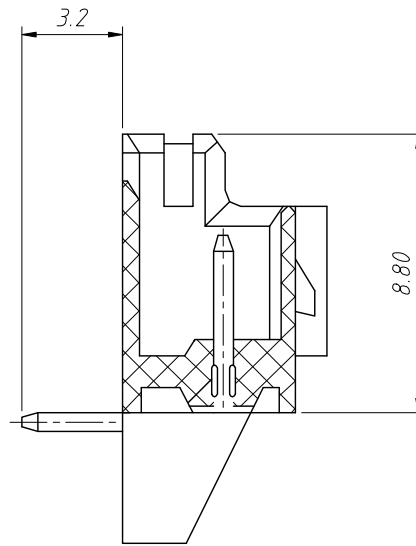
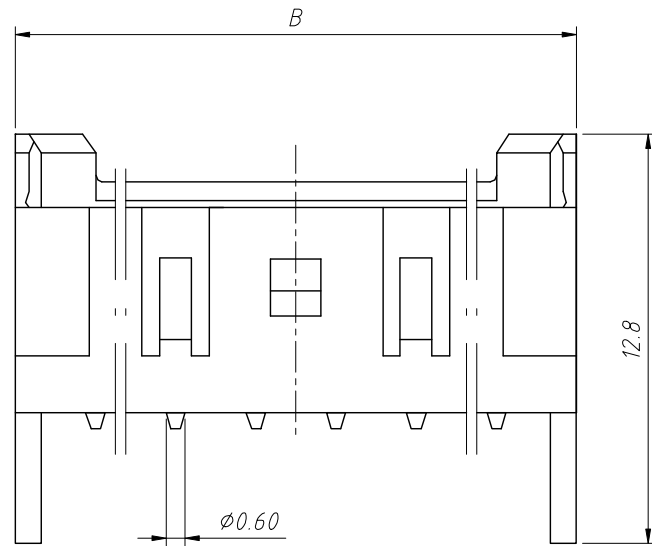
RoHS Compliance



04P Above



02P ~ 03P

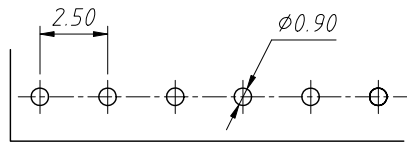
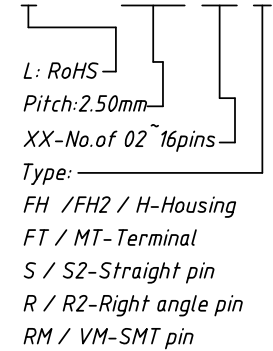


Pin	Dimensions(mm)	
	A	B
02	2.50	7.50
03	5.00	10.00
04	7.50	12.50
05	10.00	15.00
06	12.50	17.50
07	15.00	20.00
08	17.50	22.50
09	20.00	25.00
10	22.50	27.50
11	25.00	30.00
12	27.50	32.50
13	30.00	35.00
14	32.50	37.50
15	35.00	40.00
16	37.50	42.50

Material:
 PIN:Phosphor Bronze,Tin-plated
 Wafer:PA66, UL 94 V-0,Natrual

Electrical Characteristics:
 Rated Current:3.0AMP
 Voltage rating:250V AC,DC
 Temperature range:-25°C ~ + 85°C
 Insulator Resistance:1000MΩ Min
 Withstanding Voltage:1000V AC/minute
 Contact Resistance:10mΩ Max

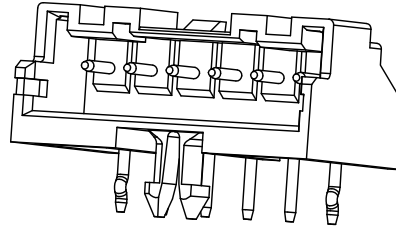
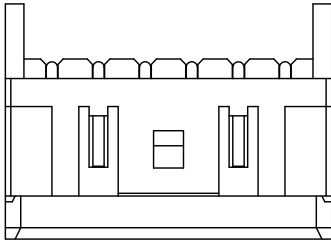
Order Information:
 L-KLS1-2.50A-XX-R



PCB LAYOUT

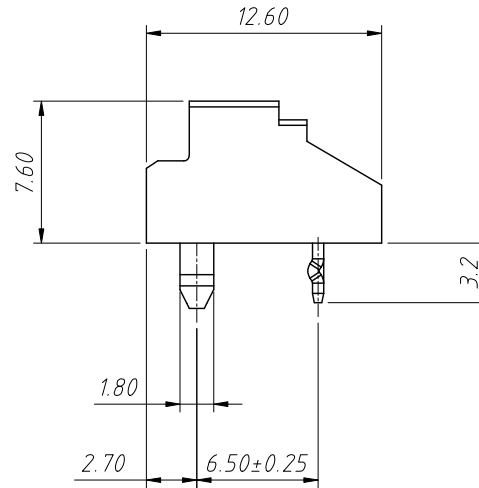
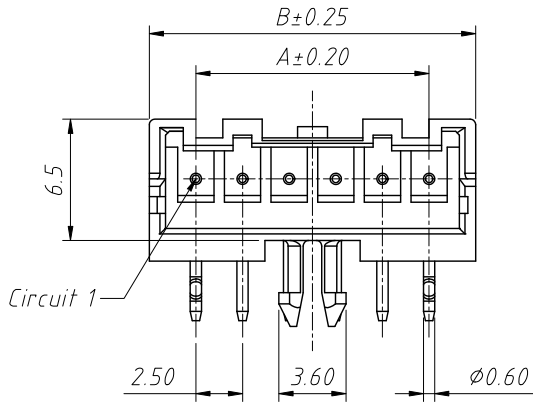
ANGLE TOLERANCE	PROJECTION	Description:	2.50mm Pitch XA Type Wire To Board Connector
±3°			
GENERAL TOLERANCE	UNITS	mm	KLS P/N: L-KLS1-2.50A-XX-R
x.x ±0.30	SHEET SIZE	A4	NingBo KLS ELECTRONIC CO.,L TD.
x.xx ±0.20	Draw:	Daniel 2021-01-11	
x.xxx ±0.10	Check:	Daniel 2021-01-11	

1 RoHS Compliance



Material:
 PIN: Phosphor Bronze, Tin-plated
 Wafer: PA66, UL 94 V-0, Natural

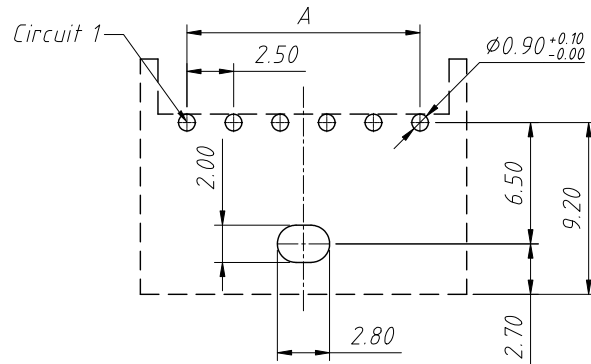
Electrical Characteristics:
 Rated Current: 3.0AMP
 Voltage rating: 250V AC, DC
 Temperature range: -25°C ~ + 85°C
 Insulator Resistance: 1000MΩ Min
 Withstanding Voltage: 1000V AC/minute
 Contact Resistance: 10mΩ Max



Pin	Dimensions(mm)	
	A	B
02	2.50	7.50
03	5.00	10.00
04	7.50	12.50
05	10.00	15.00
06	12.50	17.50
07	15.00	20.00
08	17.50	22.50
09	20.00	25.00
10	22.50	27.50
11	25.00	30.00
12	27.50	32.50
13	30.00	35.00
14	32.50	37.50
15	35.00	40.00

Order Information:
 L-KLS1-2.50A-XX-R2

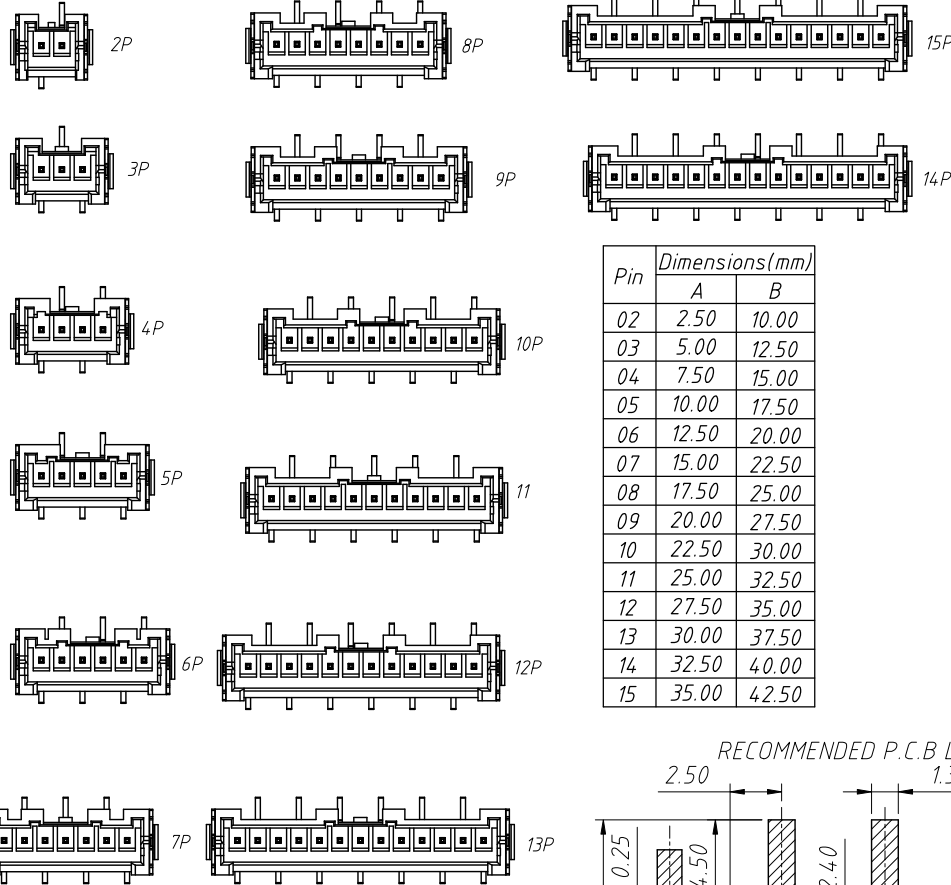
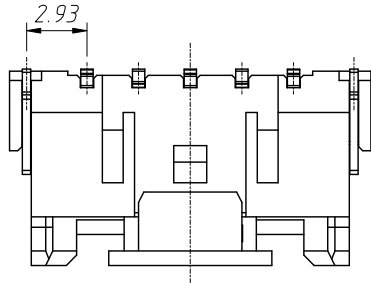
L: RoHS
 Pitch: 2.50mm
 XX-No. of 02 ~ 15pins
 Type:
 FH / FH2 / H-Housing
 FT / MT-Terminal
 S / S2-Straight pin
 R / R2-Right angle pin
 RM / VM-SMT pin



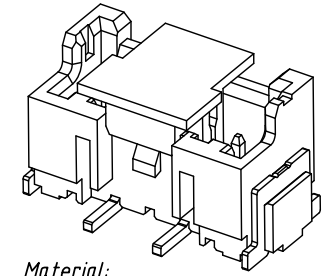
RECOMMENDED P.C.B LAYOUT T=1.60mm
 (TOLERANCE: ±0.05)

ANGLE TOLERANCE	PROJECTION	Description:	2.50mm Pitch XA Type Wire To Board Connector
±3°			
GENERAL TOLERANCE	UNITS	mm	KLS P/N: L-KLS1-2.50A-XX-R2
x.x ±0.30	SHEET SIZE	A4	NingBo KLS ELECTRONIC CO.,L TD.
x.xx ±0.20	Draw:	Daniel 2021-01-11	
x.xxx ±0.10	Check:	Daniel 2021-01-11	

1 RoHS Compliance



Pin	Dimensions(mm)	
	A	B
02	2.50	10.00
03	5.00	12.50
04	7.50	15.00
05	10.00	17.50
06	12.50	20.00
07	15.00	22.50
08	17.50	25.00
09	20.00	27.50
10	22.50	30.00
11	25.00	32.50
12	27.50	35.00
13	30.00	37.50
14	32.50	40.00
15	35.00	42.50



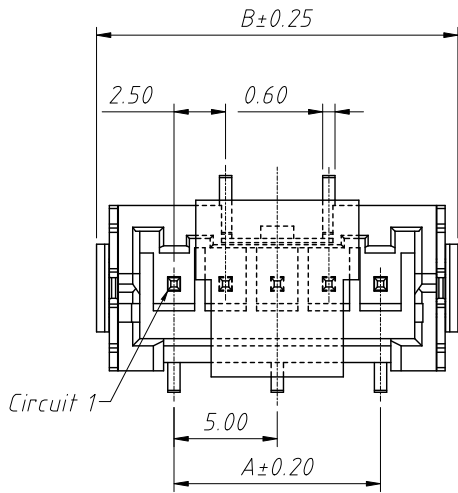
Material:
Pin:Brass,Tin-plated
Wafer:PA9T, UL 94V-0,Natrual

Electrical Characteristics:
Rated Current:3.0AMP
Voltage rating:250V AC,DC
Temperature range:-40°C ~ + 105°C
Insulator Resistance:1000MΩ Min
Withstanding Voltage:1000V AC/minute
Contact Resistance:10mΩ Max
After environmental testing:20mΩ Max

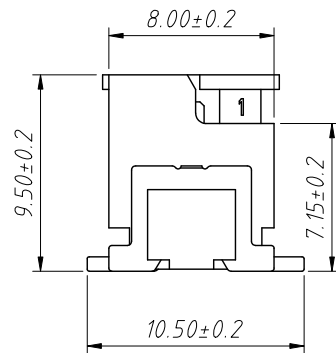
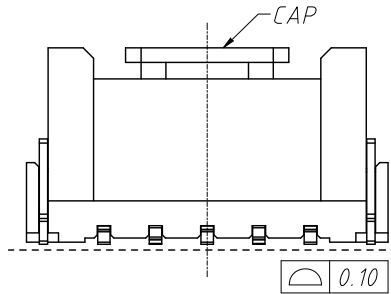
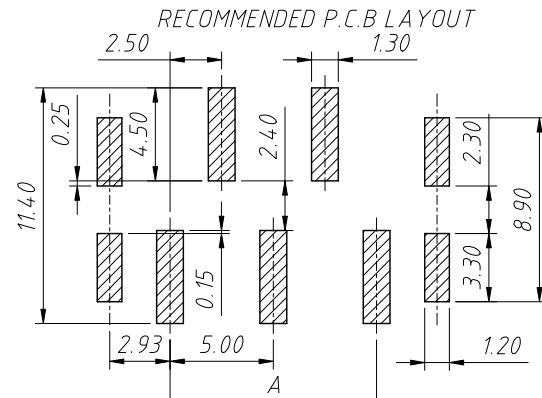
Order Information:

L-KLS1-2.50A-XX-VM-X

L: RoHS
Pitch:2.50mm
XX-No. of 02~15pins
Type:
FH /FH2 / H-Housing
FT / MT-Terminal
S / S2-Straight pin
R / R2-Right angle pin
RM / VM-SMT pin
Packing:
0=PE Bag R=Reel M=Reel+Mylar



Circuit 1

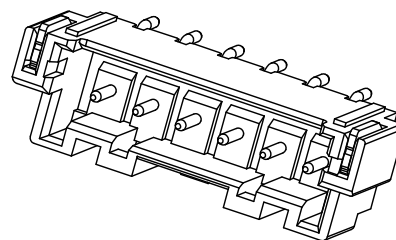
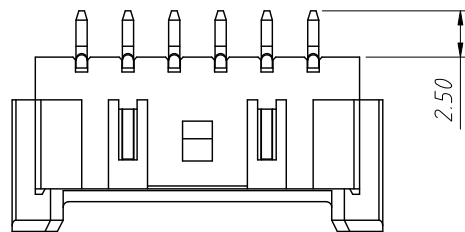


ANGLE TOLERANCE	PROJECTION	Description:
±3°		2.50mm Pitch XA Type Wire To Board Connector
GENERAL TOLERANCE	UNITS	mm
x.x ±0.30	SHEET SIZE	A4
x.xx ±0.20	Draw:	Daniel 2021-01-11
x.xxx ±0.10	Check:	Daniel 2021-01-11



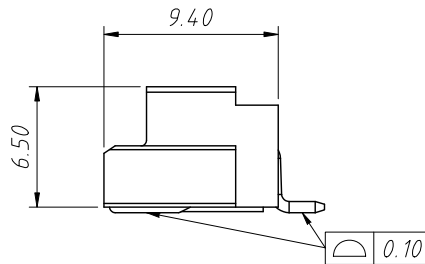
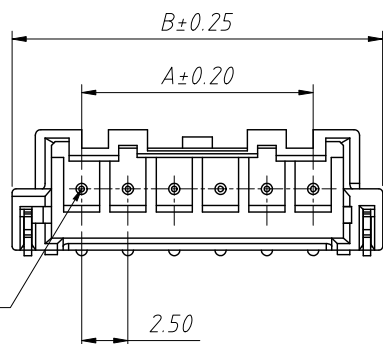
NingBo KLS ELECTRONIC CO.,LTD.

1 RoHS Compliance



Material:
Pin: Brass, Tin-plated
Wafer: PA9T, UL 94V-0, Natural

Electrical Characteristics:
Rated Current: 3.0AMP
Voltage rating: 250V AC, DC
Temperature range: -40°C ~ +105°C
Insulator Resistance: 1000MΩ Min
Withstanding Voltage: 1000V AC/minute
Contact Resistance: 10mΩ Max
After environmental testing: 20mΩ Max



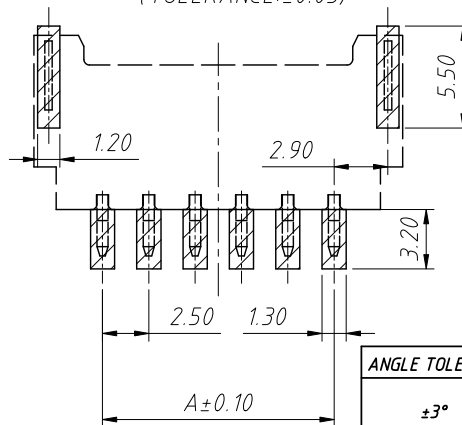
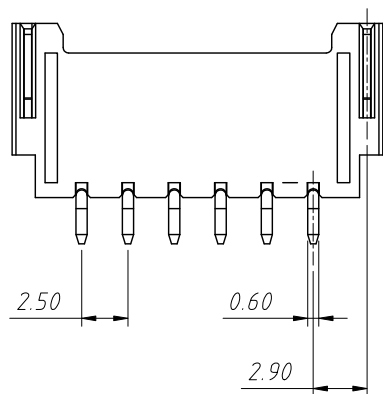
Pin	Dimensions(mm)	
	A	B
02	2.50	10.00
03	5.00	12.50
04	7.50	15.00
05	10.00	17.50
06	12.50	20.00
07	15.00	22.50
08	17.50	25.00
09	20.00	27.50
10	22.50	30.00
11	25.00	32.50
12	27.50	35.00
13	30.00	37.50
14	32.50	40.00
15	35.00	42.50

Order Information:
L-KLS1-2.50A-XX-RM-X

L: RoHS
Pitch: 2.50mm
XX-No. of 02~15 pins
Type:
FH / FH2 / H-Housing
FT / MT-Terminal
S / S2-Straight pin
R / R2-Right angle pin
RM / VM-SMT pin
Packing:
0=PE Bag R=Reel M=Reel+Mylar

Circuit 1

RECOMMENDED P.C.B LAYOUT T=1.60mm
(TOLERANCE: ±0.05)



ANGLE TOLERANCE	PROJECTION	Description:	2.50mm Pitch XA Type Wire To Board Connector
±3°			
GENERAL TOLERANCE	UNITS	mm	KLS P/N: L-KLS1-2.50A-XX-RM-X
x.x ±0.30	SHEET SIZE	A4	
x.xx ±0.20	Draw:	Daniel	2021-01-11
x.xxx ±0.10	Check:	Daniel	2021-01-11



NingBo KLS ELECTRONIC CO.,LTD.