

D

C

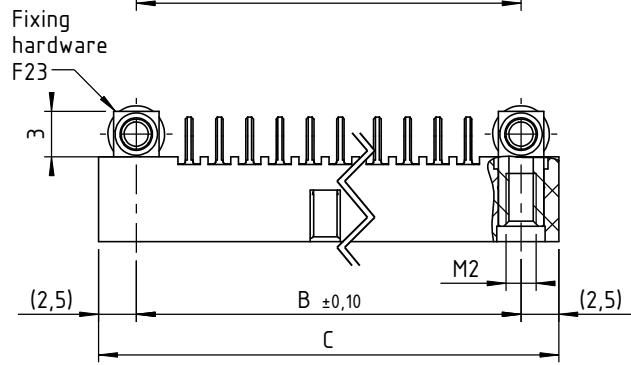
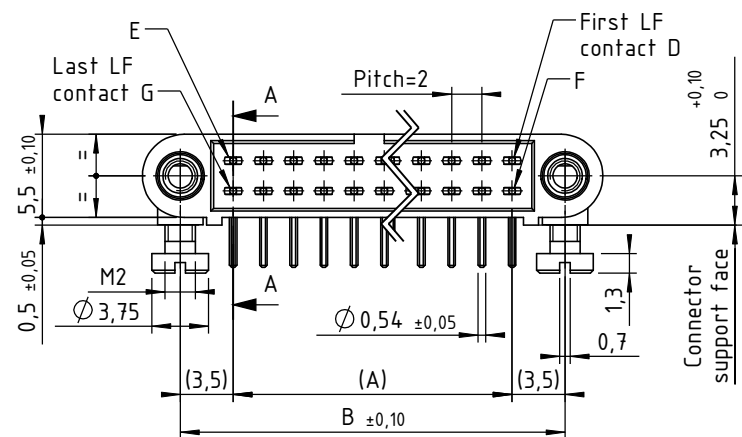
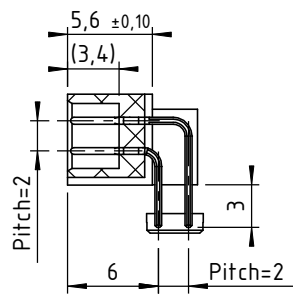
B

A

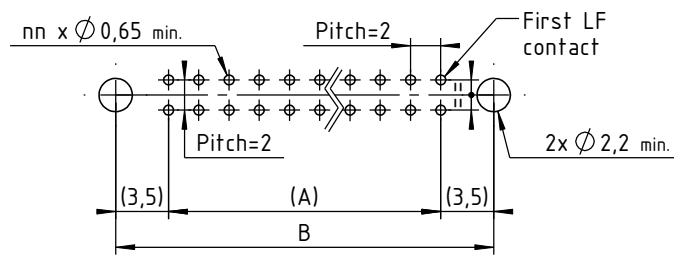
4

4

CUT A-A



Recommended PCB layout:



TECHNICALS FEATURES

MATERIAL

INSULATOR : Special PPS (Polyphenylene Sulfide Fibreglass filled thermoplastic) UL 94-V0

- Radiation resistance
- No humidity absorption
- Oxygen free

Note : PPS characteristics are recognized for space applications

SIGNAL CONTACTS for PCB:

Male :

- Contact area : Copper alloy / Ni + Au 1µ
- Contact tail : Copper alloy / Ni + Au flash 0.1µ

FIXING HARDWARE :

- Jackscrew : Stainless steel

ELECTRICAL for LF Contacts

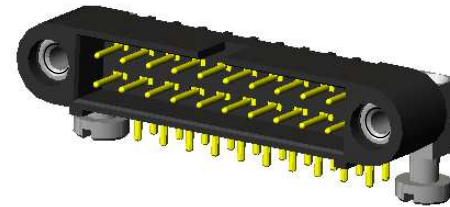
- All contacts : 3 A max. @ 25°C  
2.2 A max. @ 85°C
- Working voltage (sea level) : Tested at 800 V DC
- Proof voltage : Tested at 1200 V DC
- Contact resistance (initially) : max. 10 mΩ
- Insulation resistance : 1000 MΩ min

MECHANICAL for LF Contacts

- Mechanical operations : 500 cycles min. up to 2500
- Contact insertion and withdrawal force : 2 N max. / 0.2 N min. per contact

ENVIRONMENTAL

- Temperature range : From -60°C to +260°C
- Vibration severity : 0.75mm, 10 g RMS 6 hours long random with superimposed sinusoid. No intermittencies measured when using an H.S.L.I. (High Speed Logic Interrupt) detector with a trip threshold of 2 ns. 100g for 6 ms.
- Shock severity : HcFc 141 bMGX (ATOACHEM) solvent
- Solvent resistance : 96 hrs
- Salt spray test : 56 days @ 90% humidity
- Humidity test



Marking as referenced in the CMM catalogue pages 12 & 13

CONNECTOR SERIES 220 MALE							
LF contacts number nn	Distance in mm between axes		Length in mm	LF contacts reference mark number			
	A	B		D	E	F	G
04	2	9	14	1	2	3	4
06	4	11	16	1	3	4	6
08	6	13	18	1	4	5	8
10	8	15	20	1	5	6	10
12	10	17	22	1	6	7	12
14	12	19	24	1	7	8	14
16	14	21	26	1	8	9	16
18	16	23	28	1	9	10	18
20	18	25	30	1	10	11	20
22	20	27	32	1	11	12	22
24	22	29	34	1	12	13	24
26	24	31	36	1	13	14	26
28	26	33	38	1	14	15	28
30	28	35	40	1	15	16	30
32	30	37	42	1	16	17	32
34	32	39	44	1	17	18	34
36	34	41	46	1	18	19	36
38	36	43	48	1	19	20	38
40	38	45	50	1	20	21	40
42	40	47	52	1	21	22	42
44	42	49	54	1	22	23	44
46	44	51	56	1	23	24	46
48	46	53	58	1	24	25	48
50	48	55	60	1	25	26	50
52	50	57	62	1	26	27	52
54	52	59	64	1	27	28	54
56	54	61	66	1	28	29	56
58	56	63	68	1	29	30	58
60	58	65	70	1	30	31	60

 <a href="http://www.nicomatic.com">www.nicomatic.com</a> Mail : <a href="mailto:nicomatic@nicomatic.fr">nicomatic@nicomatic.fr</a> Tel : +33 (0)4.50.36.13.85	2	18/11/09	N.P.	E.M.	D.Z.
	Iss	Date	Drawn	Checked	Approved
Item : Connector CMM220 male 90° on PCB, nn LF contacts, F23					
Folder : X:\Méthodes\Plans clients\Plans clients 2D\10 - CMM220\Connecteurs mâles\221V\221VnnF23_cl					

This document and drawings, sketches, and schematic drawings are the property of the NICOMATIC company. and no parts thereof may be reproduced and used without the written consent of the owner. Law dated 11.03.1902

Catalogue Reference : 221VnnF23

	General tolerance	±0.2	Scale	2:1	Page	1/1
--	-------------------	------	-------	-----	------	-----

D

A4

