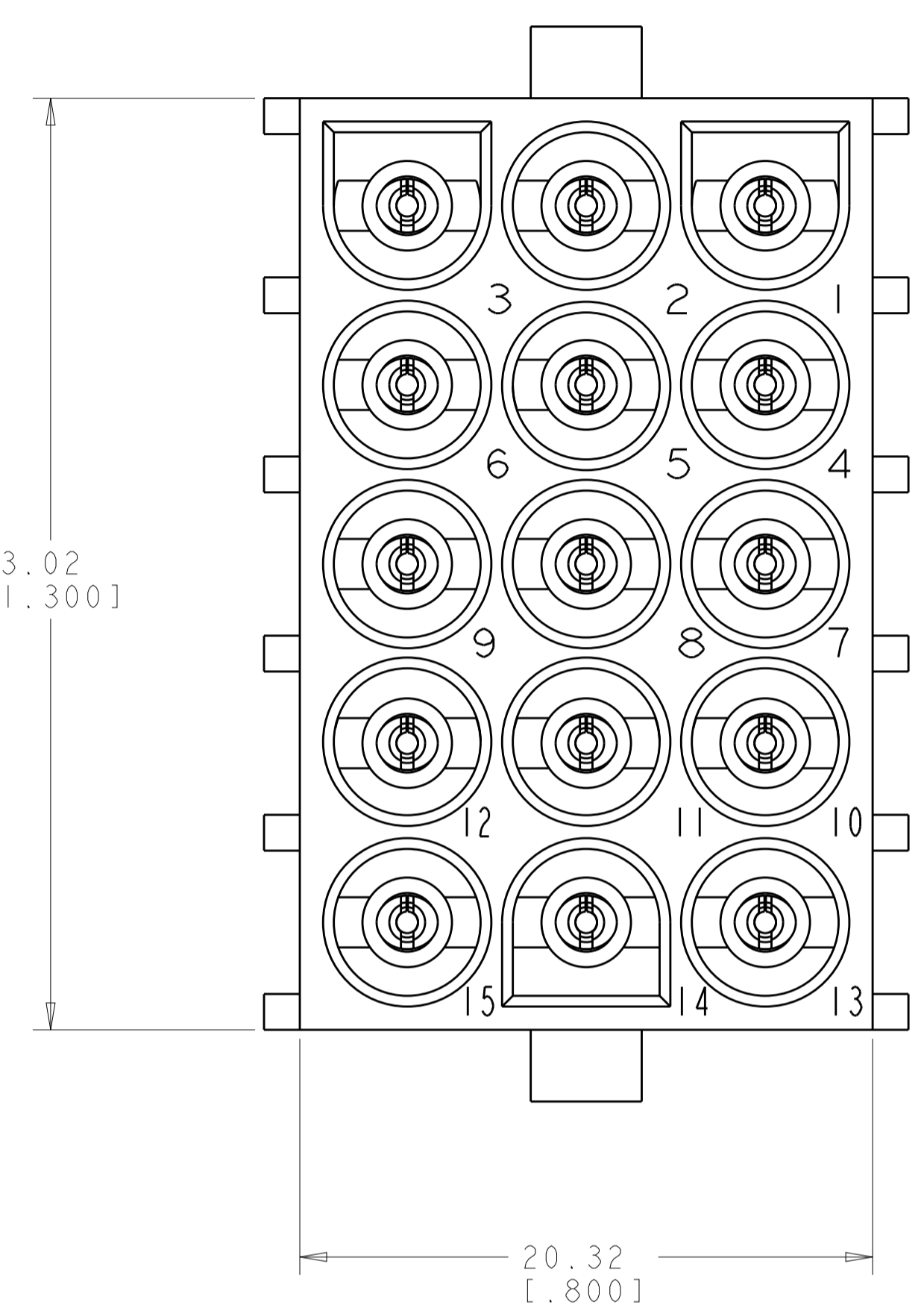
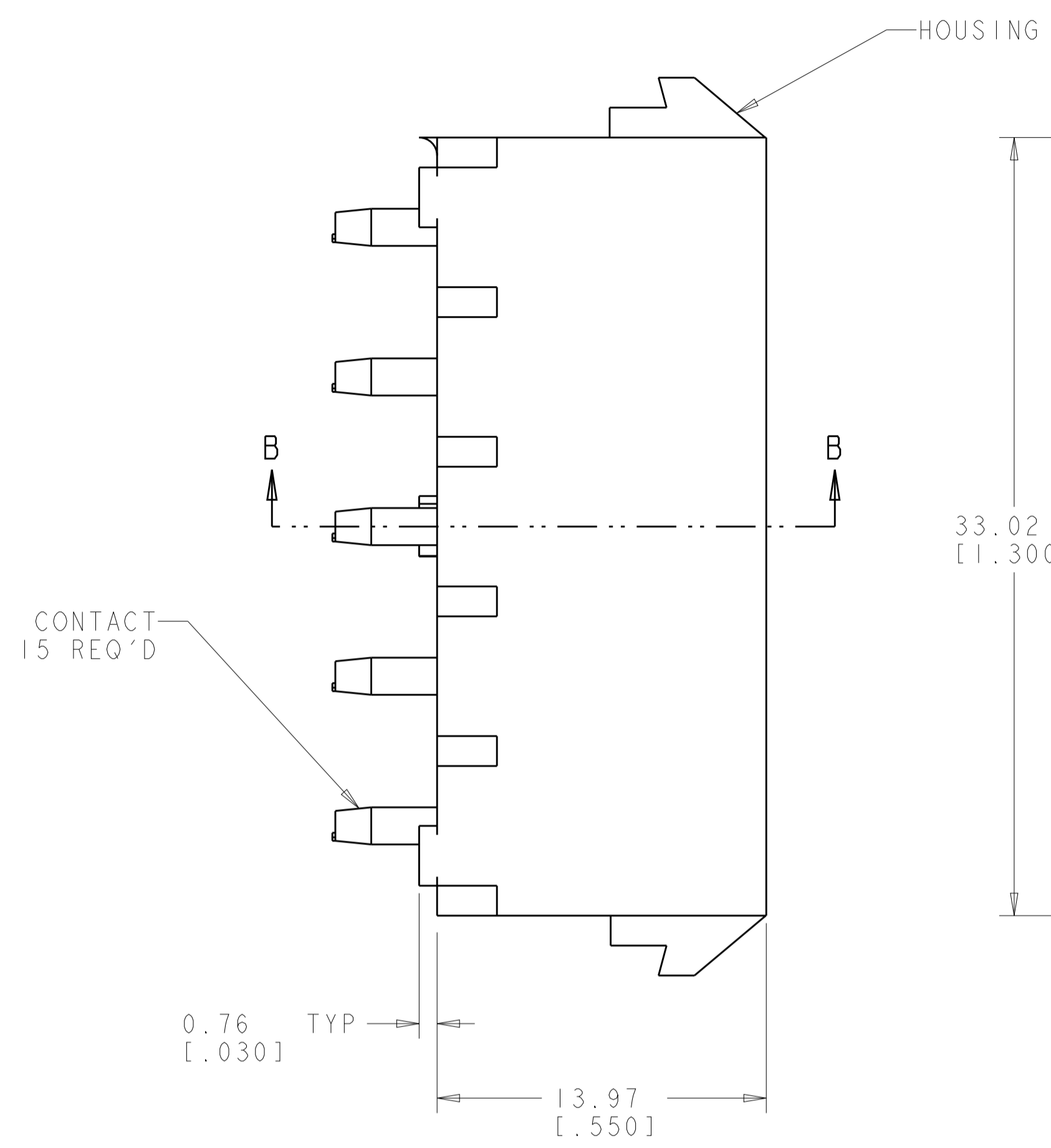
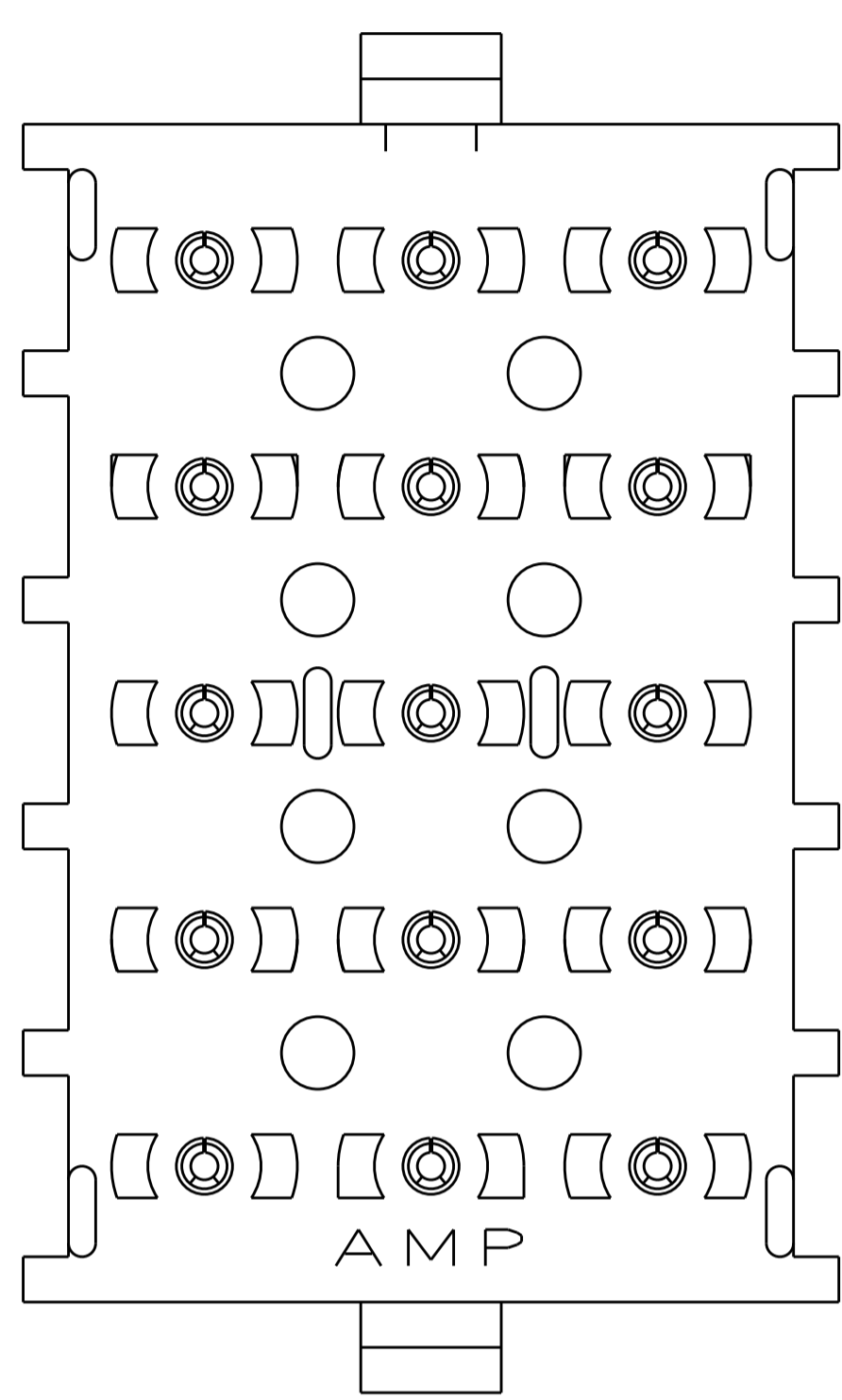
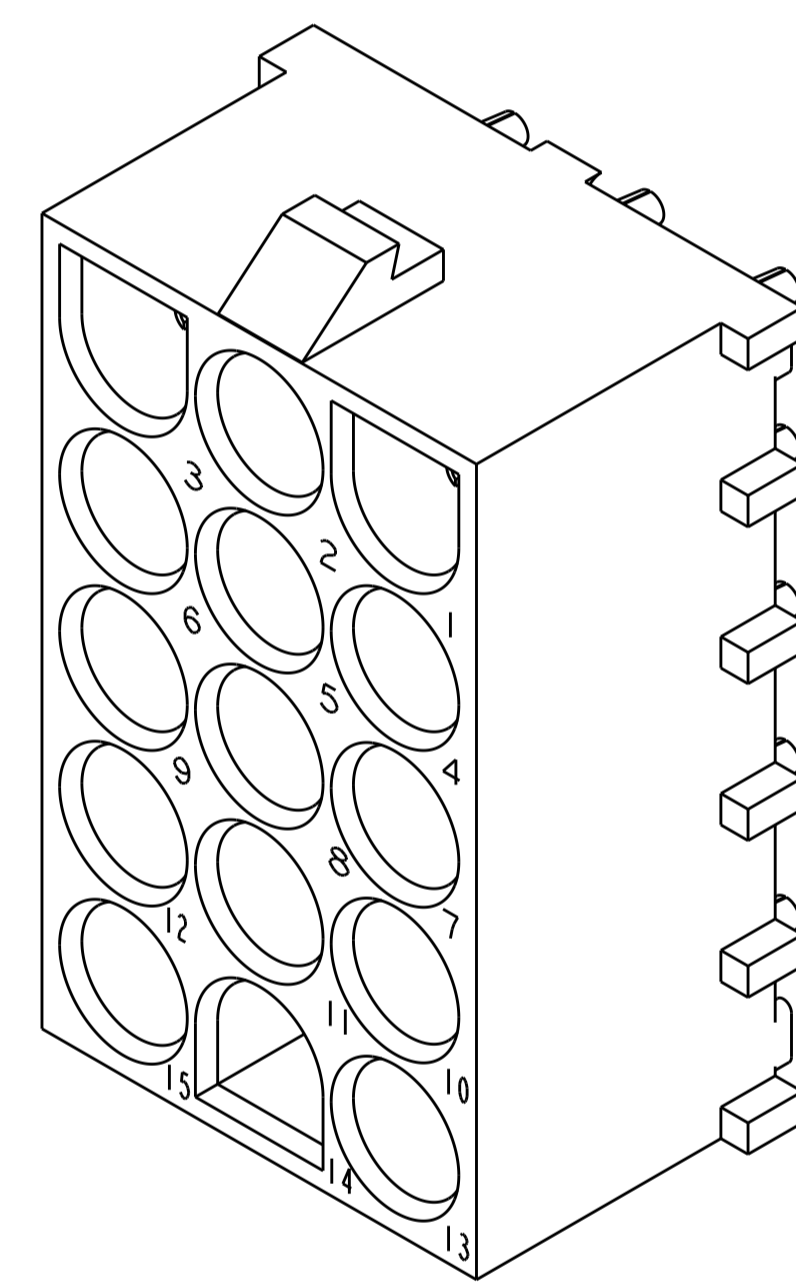


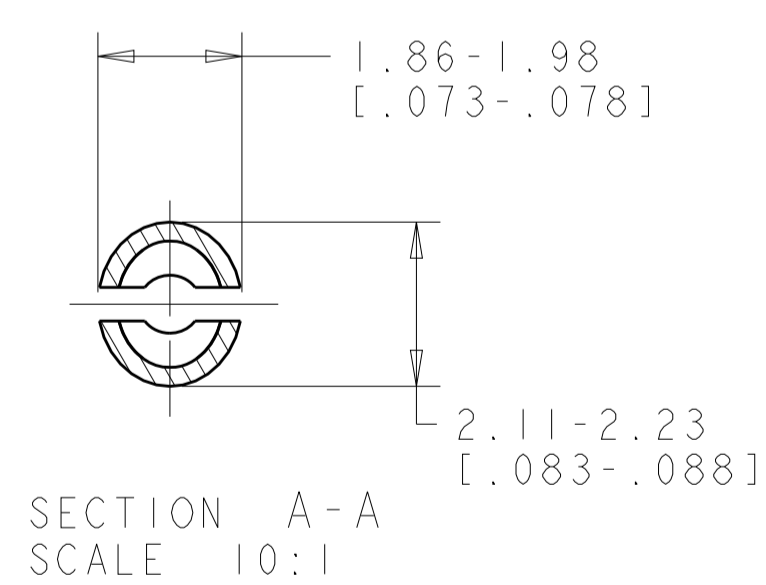
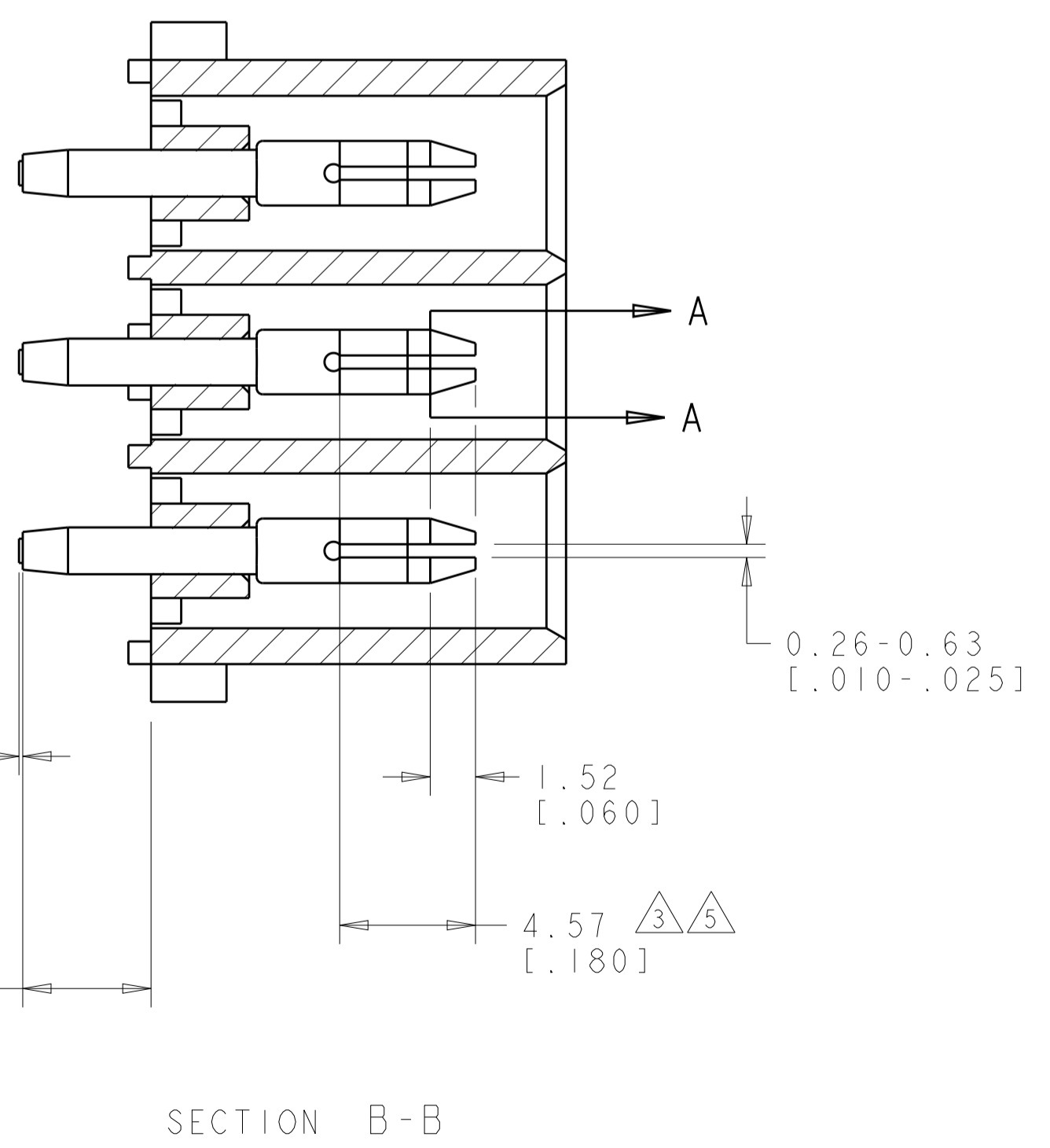
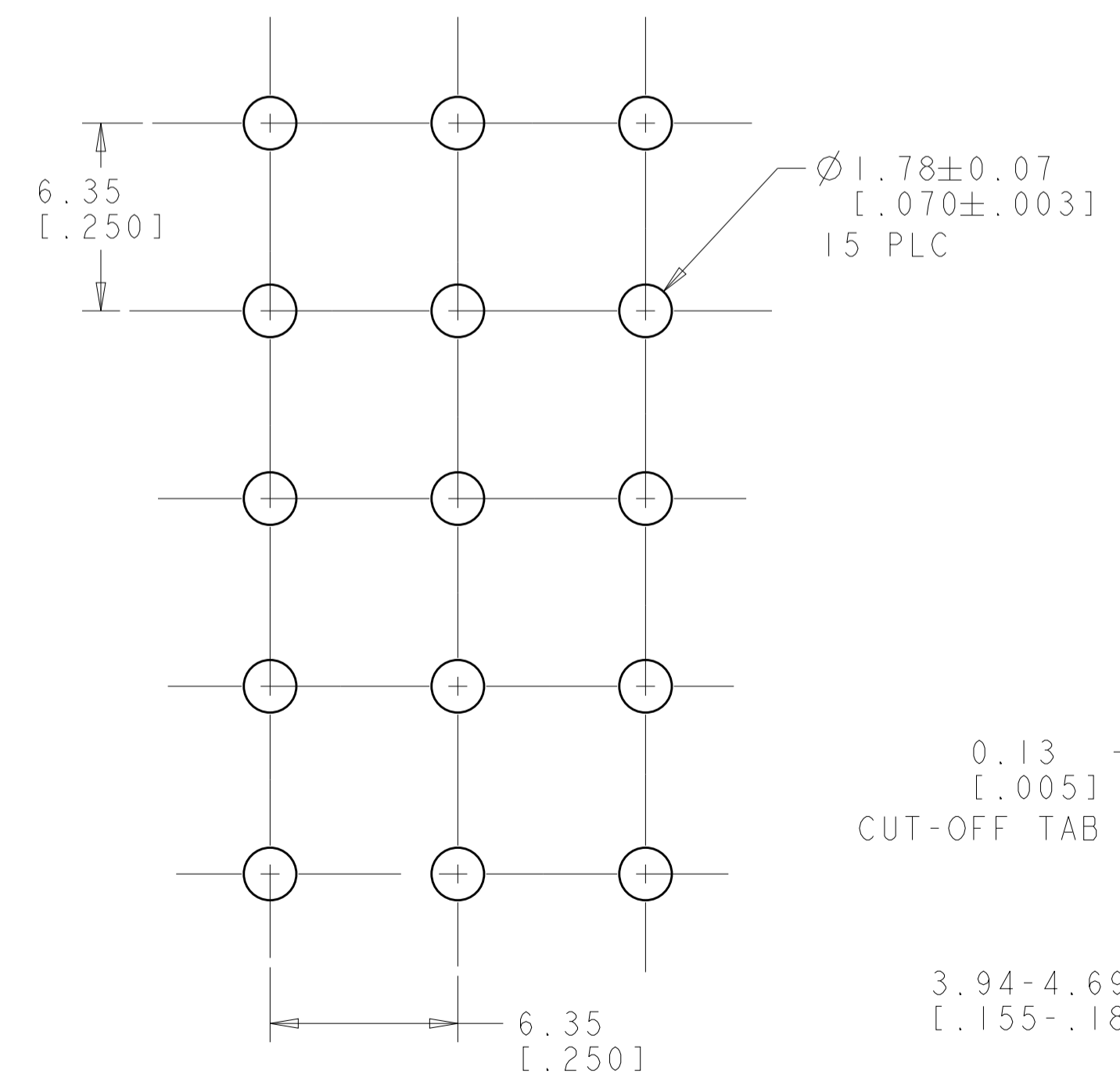
LOC	DIST	REVISIONS					
		P	LTN	DESCRIPTION	DATE	DWN	APVD
	00						
		Y2		REVISED PER ECR-12-011660	24JAN2013	KH	TM
		Y3		REVISED PER ECR-13-019507	02JAN2014	AV	KD



- MATES WITH HOUSING 480710.
- PARTS COMPLY TO TE SOLDERABILITY SPECIFICATION 109-11-3.
- CONTACT IS PLATED OVERALL WITH 0.00127 [.000050] NICKEL, THEN 0.00076 [.000030] GOLD OVER CONTACT LENGTH INDICATED AND TIN LEAD ON SOLDER TAIL END.
- CIRCUIT IDENTIFICATION CHARACTERS ARE ADJACENT TO THE INDICATED CAVITIES, BUT LOCATION AND ORIENTATION MAY DIFFER FROM PRINT.
- CONTACT IS PLATED OVERALL WITH 0.00127 [.000050] NICKEL, THEN 0.00076 [.000030] GOLD OVER CONTACT LENGTH INDICATED AND MATTE TIN ON SOLDER TAIL END.
- DIMENSIONS IN BRACKETS ARE IN INCHES.
- SUPERSEDED BY 350434-4



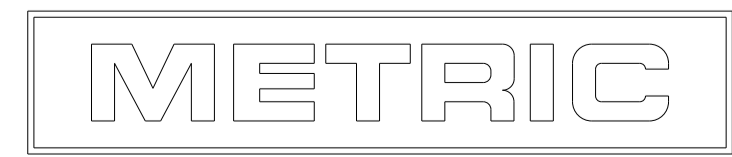
3 DIMENSIONAL MODEL
SCALE 4:1



SECTION A-A
SCALE 10:1

PIN CONTACT MATERIAL AND FINISH	HOUSING MATERIAL AND COLOR	PART NUMBER
PHOSPOR BRONZE, GOLD	NYLON, UL94V-2, NATURAL	350434-4
PHOSPOR BRONZE, GOLD	NYLON, UL94V-2, NATURAL	350434-2
PHOSPOR BRONZE, PRE-TIN	NYLON, UL94V-2, NATURAL	350434-1

RECOMMENDED MOUNTING HOLE PATTERN FOR 1.57 [.062] THICK P.C. BOARD HOLE THAT CORRESPONDS TO REMOVED CONTACT CAN BE OMITTED



THIS DRAWING IS A CONTROLLED DOCUMENT.		DWN: K. WHITAKER 04MAY2005	TE Connectivity
DIMENSIONS: mm [INCHES]		CHK: S. RIDGILL 04MAY2005	
TOLERANCES UNLESS OTHERWISE SPECIFIED:		APVD: S. RIDGILL 04MAY2005	NAME: PIN HEADER ASSEMBLY, 15 CIRCUIT, UNIVERSAL MATE-N-LOK(TM)
0 PLC ±	1 PLC ±	PRODUCT SPEC	SIZE: A1
2 PLC ±	3 PLC ±	APPLICATION SPEC	CAGE CODE: 350434
4 PLC ±	ANGLES ±	FINISH: SEE TABLE	RESTRICTED TO
MATERIAL: SEE TABLE	FINISH: SEE TABLE	WEIGHT: -	CUSTOMER DRAWING
		SCALE: 1:1	SHEET 1 OF 1
		REV: Y3	