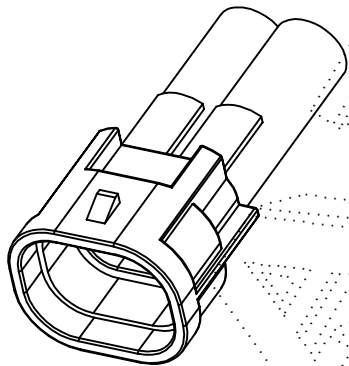


MARK	ECN	DESCRIPTION	DWN.	DATE

Technical requirements

1. Parts must not have burr and injection molding defects which affect usability
2. The surface is bright and clean, smooth, no waterlogging, etc
3. The "◆" is the important feature, "★" is the key features
4. Unmarked tolerance dimensions carry out according to the GB - T14486-2008 - MT6 level
5. The mating terminal is DJ612-2.2×0.6

NO. TOLERANCES GB/T14486-2008-MT6			
DIM. RANGE	DIM. TOLERANCES	DIM. RANGE	DIM. TOLERANCES
0~3	±0.23	>18~24	±0.41
>3~6	±0.26	>24~30	±0.45
>6~10	±0.29	>30~40	±0.50
>10~14	±0.33	>40~50	±0.57
>14~18	±0.37	>50~65	±0.65



COLOUR	GREY	乐清市奥海电气有限公司			
MATERIAL	PA66	AHI Yueqing Aohai Electric Co., Ltd.			
NAME	2HOLE CONNECTOR	DRAWN BY	CONFIRMED BY	APPROVED BY	
PART NO.	DJ7024-2-11				
TYPE					
ARTICLE NO.		REV.	1st PERSON VIEW	FREE	UNIT
MOULD NO.:		1.0		1.3:1	mm
					PAGE
					1/1