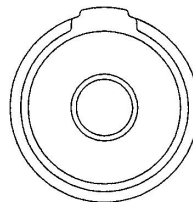
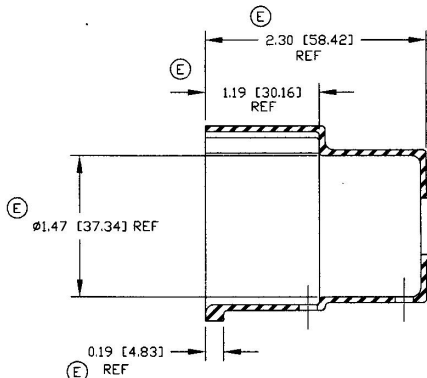
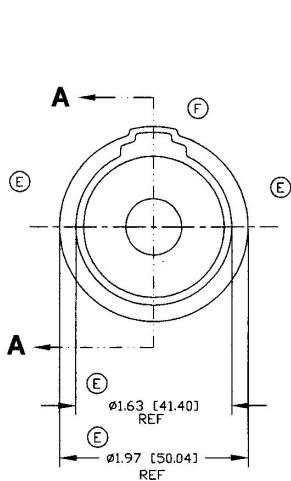


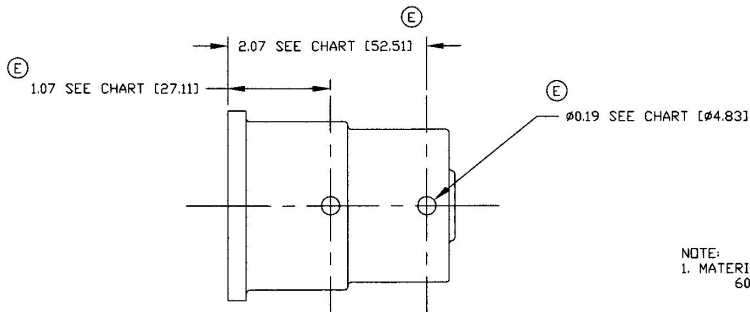
# CUSTOMER DRAWING CHART

## Revision Control Record

Rev.	Description of Change	ECN No.	Date
D	ADDED CHART AND VIEWS	01459	8/6/01
E	ADDED REF. CHANGED PRECISION ROUND-OFF	02372	7/28/02
F	LOGO	03634	11/14/03



SECTION A-A



NOTE:  
1. MATERIAL: SBR WITH ANTI-OZONANT  
60 DURAMETER, BLACK

PART NO.	HOLES
11178	NO
11178-1	YES

**Tolerances:** Unless otherwise specifically noted, the following are standard tolerances:  
 \* Outside Decimal Dimensions  $\pm .02$ "  
 \* Inside Decimal Dimensions  $\pm .004$ "  
 \* Angular Dimensions  $\pm 1.0$  Deg.  
 \* Metric: Refer to applicable English Dimension Tolerance  
 >>> NOTE: All tolerances are *Maximum* tolerances.

**Dimensional Units:** All dimensions are expressed in inches unless otherwise specified. Dimensions shown in brackets are expressed in millimeters.

**ASME Y14.5M-2009** - Non-Toleranced Reference Dimensions shown for distribution purposes only.

**PROFESSIONAL ACKNOWLEDGE:** This Engineering Drawing, and the Information contained herein, is proprietary to Cole Hersee Company and may not be disclosed, reproduced, or in any other way transferred or incorporated to any other party without the express written consent of an authorized representative of Cole Hersee Company.

**DESIGN CONTROL:** It is the responsibility of the individual using/forwarding this drawing to verify that the noted design revision level agrees with the revision level of the Controlled Document (Issue Drawing). This is a NON-CONTROLLED DOCUMENT unless otherwise specifically noted.

**DO NOT SCALE** - Dimensional notation may occur during printing/ reproduction.

### Special Characteristics:

**CC** Critical Characteristics, relating to Safety under Regulatory Compliance

**X** Significant Characteristics relating to Process Control (SPC)

**MC** Key Characteristics, relating to Form - Fit - Function as defined by Cole Hersee Company and/or the Customer

(Note that the identification of any Characteristics as being "Special" does not alter the requirement that ALL specified dimensions & tolerances must be met.)

Responsible Engineer: SM

**Cole Hersee Co.**  
 30 Old Colony Ave., South Boston, MA, 02127  
 Plus 617-365-2100 Web www.colehersee.com

Description: **BOOT**  
 Drawing / Part No.: **11178-CHART**  
 Current Rev.: **F**