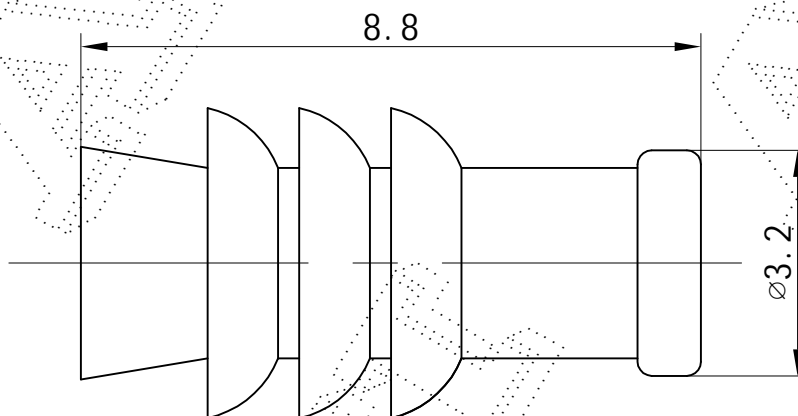
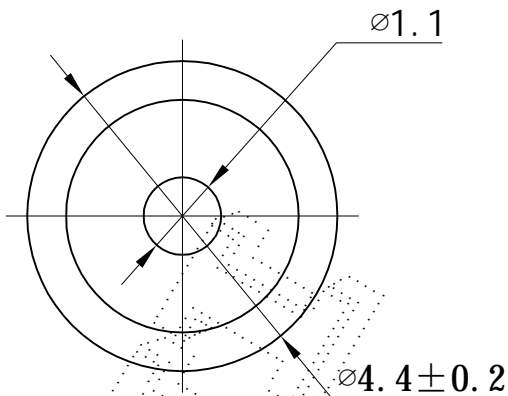


MARK	ECN	DESCRIPTION	DWN.	DATE

Technical requirements:

1. wire seal can not have obvious flash;
2. The sealing plug needs to contain traces of oil, not too much;
3. The "◆" as the important features, "★" As the key characteristic;
4. Note the tolerance size not implemented according to the GB/T 3672.1-M3 level.



NO. TOLERANCES		GB/T 3672.1-M3	
DIM. RANGE	DIM. TOLERANCES	DIM. RANGE	DIM. TOLERANCES
0~4	±0.25	>16~25	±0.5
>4~6.3	±0.25	>25~40	±0.60
>6.3~10	±0.3	>40~63	±0.80
>10~16	±0.4	>63~100	±0.1

COLOUR	GREEN	乐清市奥海电气有限公司 AHI Yueqing Aohai Electric Co., Ltd.				
MATERIAL	SILICONE RUBBER	DRAWN BY	CONFIRMED BY	APPROVED BY		
NAME	WIRE SEAL					
PART NO.	967067-1					
TYPE						
ARTICLE NO.		REV.	1st PERSON VIEW	FREE	UNIT	PAGE
MOULD NO.:		1.0		10:1	mm	1/1