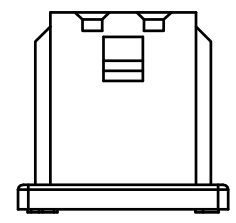
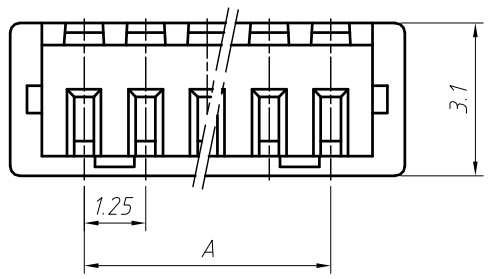
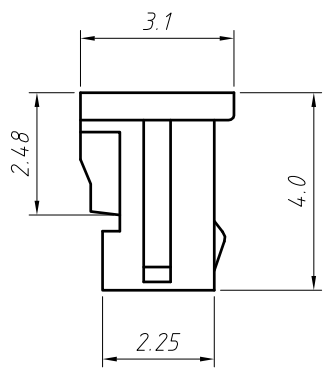
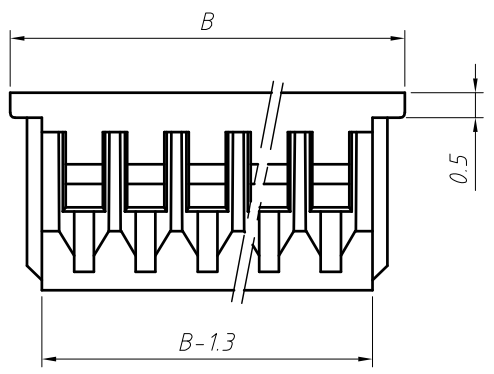
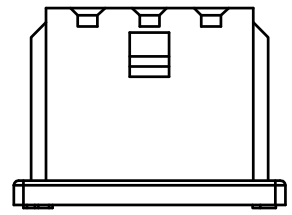
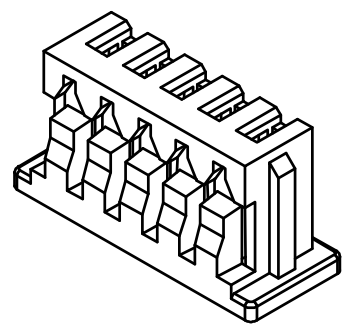


1 2 3 4 5 6 7 8

A  
B  
C  
D  
E  
F  
G  
H



2P



3P

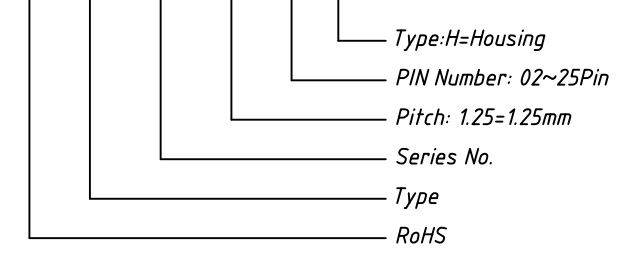
Circuit	Dimensions(mm)	
	A	B
02	1.25	4.25
03	2.50	5.50
04	3.75	6.75
05	5.00	8.00
06	6.25	9.25
07	7.50	10.50
08	8.75	11.75
09	10.00	13.00
10	11.25	14.25
11	12.50	15.50
12	13.75	16.75
13	15.00	18.00
14	16.25	19.25
15	17.50	20.50
16	18.75	21.75
--	---	---
25	30.00	33.00

Material:  
Housing:PA66(UL 94V-0/V-2),White

- Electrical Characteristics:
- 1.Poles: 2 to 25P
  - 2.Current rating: 1.0A
  - 3.Voltage rating: 125V
  - 4.Temperature range: -25°C to +85°C
  - 5.Contact resistance:  $\leq 20m\Omega$
  - 6.Insulation resistance:  $\geq 100M\Omega$
  - 7.Withstand voltage: 500V AC/minute
  - 8.Applicable wire: AWG #32 to #28
  - 9.Applicable PC board thickness: 0.8mm

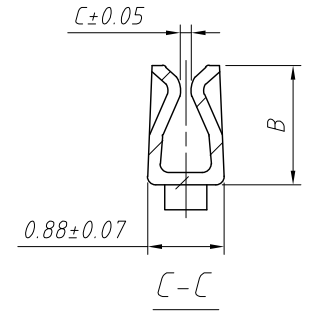
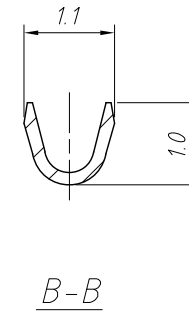
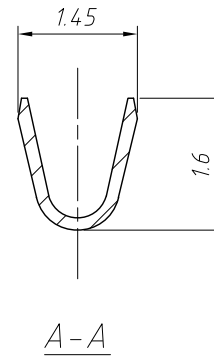
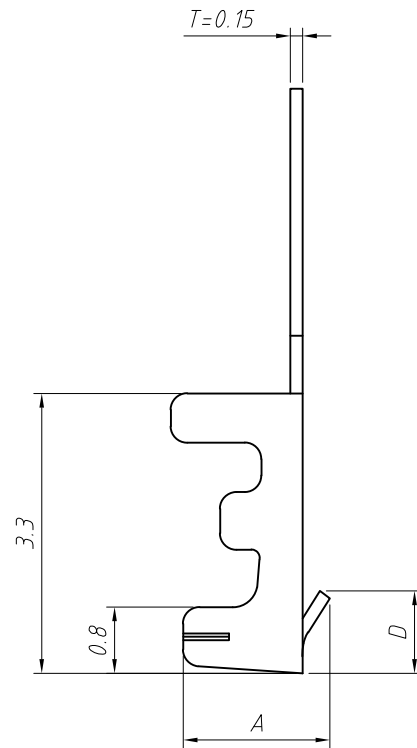
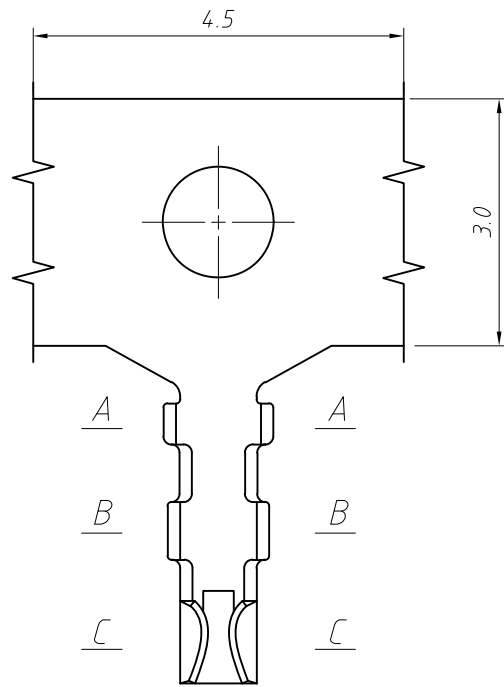
Order Information

L-KLS1-XL1-1.25-XX-H



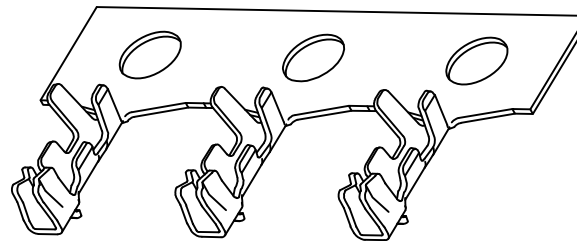
GENERAL TOLERANCE	PROJECTION		Description:
X. $\pm 0.50$	UNITS	mm	1.25mm ZH Type Wire To Board Connector
.X $\pm 0.25$	SCALE	1:1	
.XX $\pm 0.10$	Draw by:	Jenny	
ANGLE TOLERANCE	Check by:		KLS P/N: L-KLS1-XL1-1.25-XX-H
X. $\pm 5^\circ$	Date	2018-03-01	NingBo KLS ELECTRONIC CO.,L TD.
.X $\pm 3^\circ$	SHEET	1 OF 1	
.XX $\pm 2^\circ$			

1 2 3 4 5 6 7 8



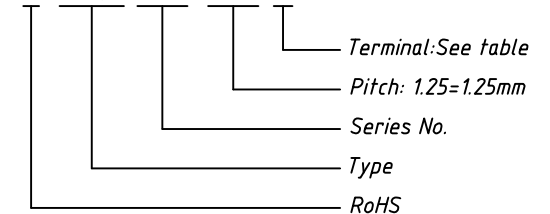
A	B	C	D	Material	Finish	Qty/reel
1.78	1.45	0.13	1.0	Phosphor Bronze	TIN	12000 PCS

**Electrical Characteristics:**  
 Current rating: 1.0A  
 Voltage rating: 125V  
 Temperature range: -25°C to +85°C5.  
 Contact resistance:  $\leq 20m\Omega$   
 Insulation resistance:  $\geq 100M\Omega$   
 Withstand voltage: 500V AC/minute  
 Applicable wire: AWG #32 to #28  
 Applicable PC board thickness: 0.8mm

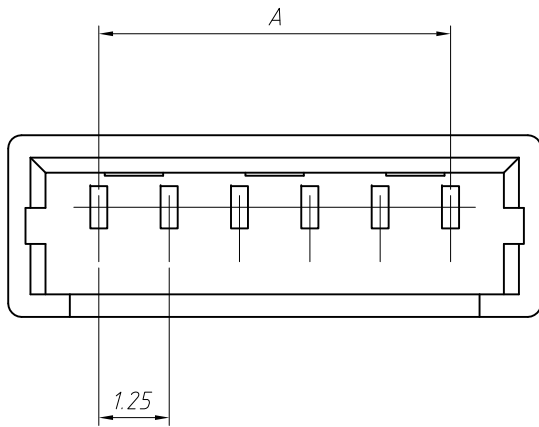


### Order Information

L-KLS1-XL1-1.25-T



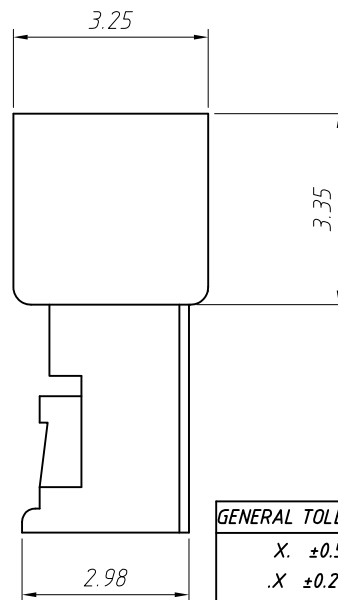
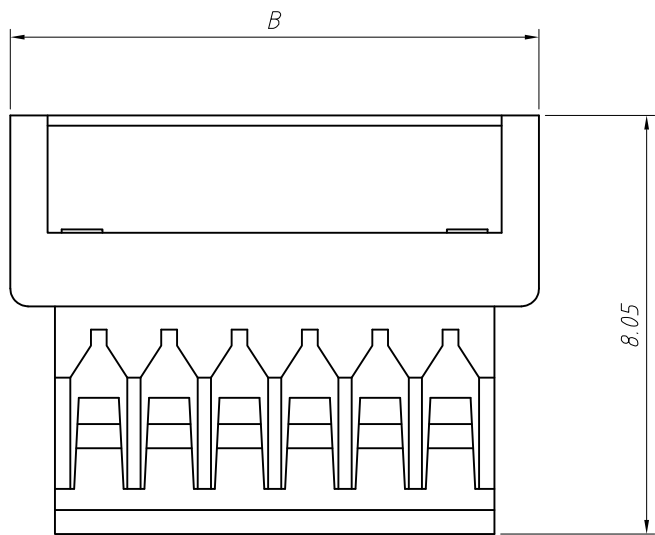
GENERAL TOLERANCE	PROJECTION		Description:
X. $\pm 0.50$	UNITS	mm	1.25mm ZH Type Wire To Board Connector
.X $\pm 0.25$	SCALE	1:1	
.XX $\pm 0.10$	Draw by:	Jenny	
ANGLE TOLERANCE	Check by:		KLS P/N: L-KLS1-XL1-1.25-T
X. $\pm 5^\circ$	Date	2018-03-01	NingBo KLS ELECTRONIC CO.,L TD.
.X $\pm 3^\circ$	SHEET	1 OF 1	
.XX $\pm 2^\circ$			



Circuit	Dimensions(mm)	
	A	B
02	1.25	4.25
03	2.50	5.50
04	3.75	6.75
05	5.00	8.00
06	6.25	9.25
07	7.50	10.50
08	8.75	11.75
09	10.00	13.00
10	11.25	14.25
11	12.50	15.50
12	13.75	16.75
13	15.00	18.00
14	16.25	19.25
15	17.50	20.50

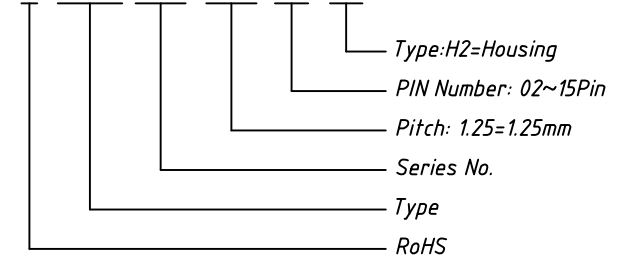
Material:  
Housing:PA66,UL 94 V-0,White

- Electrical Characteristics:
- 1.Poles: 2 to 15P
  - 2.Current rating: 1.0A
  - 3.Voltage rating: 125V
  - 4.Temperature range: -25°C to +85°C
  - 5.Contact resistance:  $\leq 20m\Omega$
  - 6.Insulation resistance:  $\geq 100M\Omega$
  - 7.Withstand voltage: 500V AC/minute

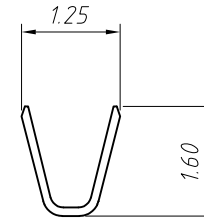
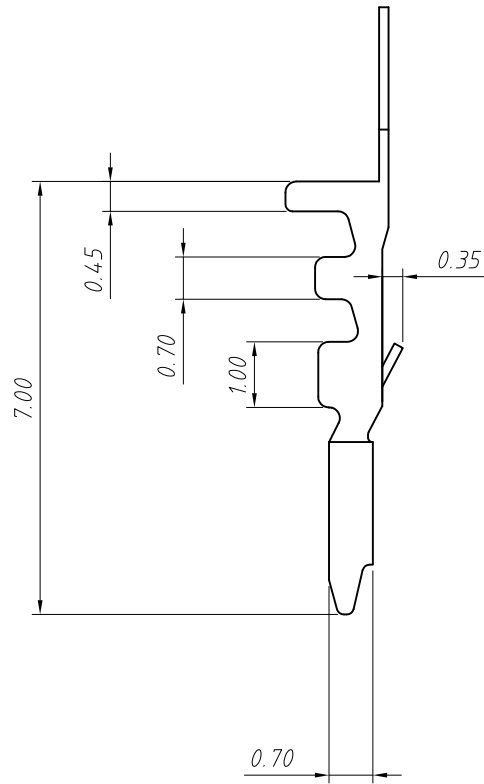
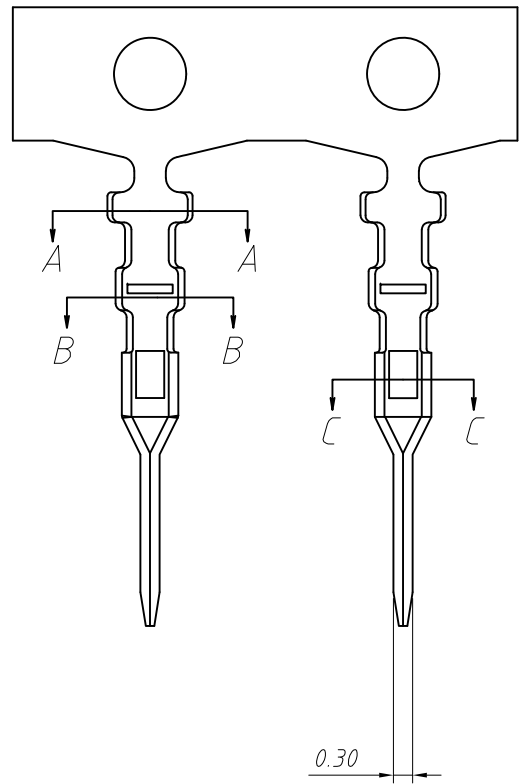


### Order Information

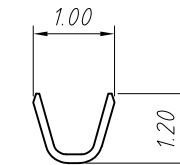
L-KLS1-XL1-1.25-XX-H2



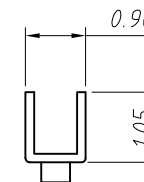
GENERAL TOLERANCE	PROJECTION		Description:
X. $\pm 0.50$	UNITS	mm	1.25mm Pitch Wire To Board Connector
.X $\pm 0.25$	SCALE	1:1	
.XX $\pm 0.10$	Draw by:	Jenny	
ANGLE TOLERANCE	Check by:		KLS P/N: L-KLS1-XL1-1.25-XX-H2
X. $\pm 5^\circ$	Date	2018-03-01	NingBo KLS ELECTRONIC CO.,L TD.
.X $\pm 3^\circ$	SHEET	1 OF 1	
.XX $\pm 2^\circ$			



A-A



B-B

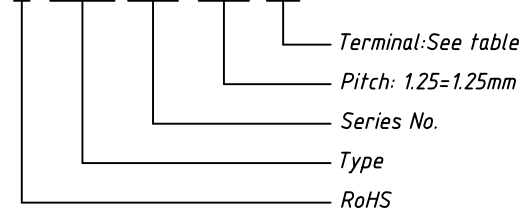


C-C

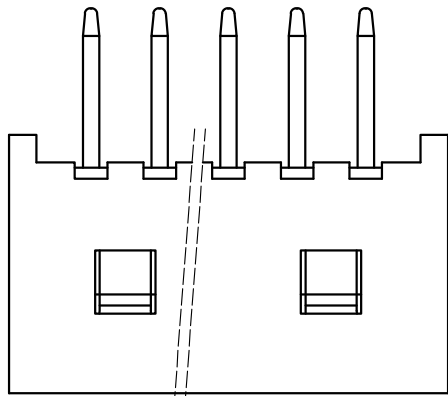
**Electrical Characteristics:**  
 Current rating: 1.0A  
 Voltage rating: 125V  
 Temperature range: -25°C to +85°C5.  
 Contact resistance:  $\leq 20m\Omega$   
 Insulation resistance:  $\geq 100M\Omega$   
 Withstand voltage: 500V AC/minute

**Order Information**

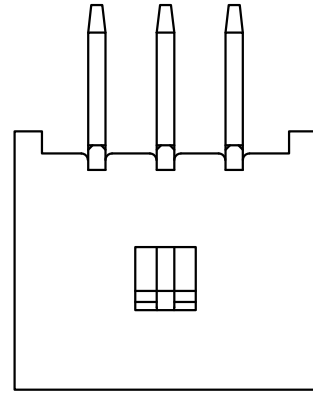
**L-KLS1-XL1-1.25-T2**



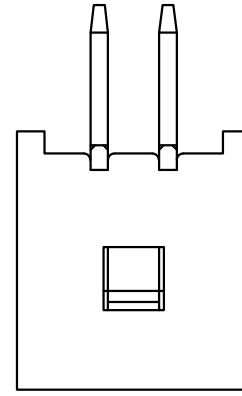
GENERAL TOLERANCE	PROJECTION		Description:
X. $\pm 0.50$	UNITS	mm	1.25mm Wire To Board Connector Terminal
.X $\pm 0.25$	SCALE	1:1	
.XX $\pm 0.10$	Draw by:	Jenny	
ANGLE TOLERANCE	Check by:		KLS P/N: L-KLS1-XL1-1.25-T2
X. $\pm 5^\circ$	Date	2018-03-01	NingBo KLS ELECTRONIC CO.,L TD.
X. $\pm 3^\circ$	SHEET	1 OF 1	
.XX $\pm 2^\circ$			



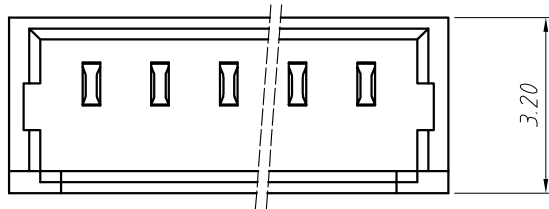
4P-25P



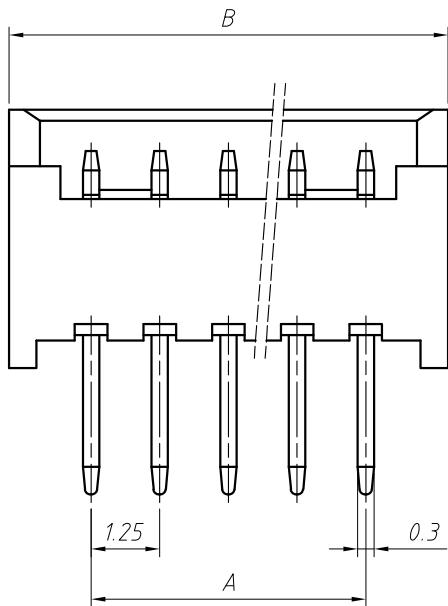
3P



2P



3.20

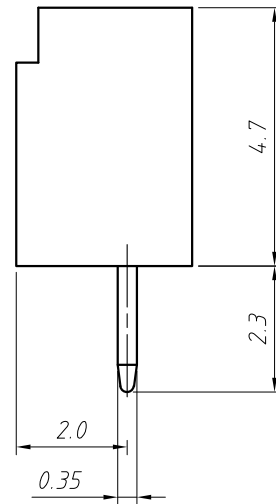


B

A

1.25

0.3

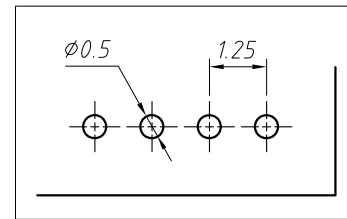
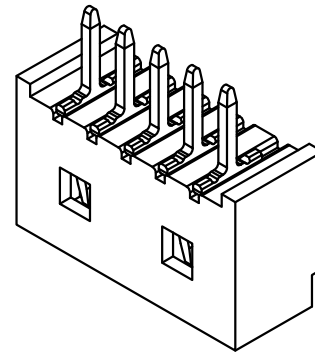


4.7

2.3

2.0

0.35



∅0.5

+

+

+

+

1.25

PCB LAYOUT

Circuit	Dimensions(mm)	
	A	B
02	1.25	4.25
03	2.50	5.50
04	3.75	6.75
05	5.00	8.00
06	6.25	9.25
07	7.50	10.50
08	8.75	11.75
09	10.00	13.00
10	11.25	14.25
11	12.50	15.50
12	13.75	16.75
13	15.00	18.00
14	16.25	19.25
15	17.50	20.50
16	18.75	21.75
--	---	---
25	30.00	33.00

**Material:**

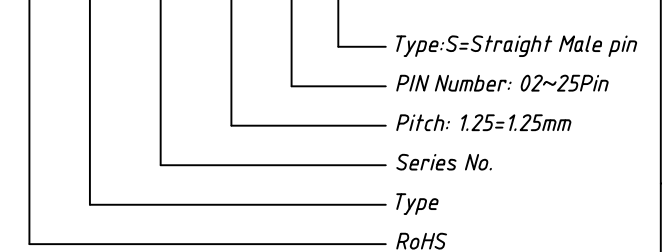
Housing:PA66(UL94V-0/V-2),White  
Contacts:Phosphor Bronze,Tin Plated

**Electrical Characteristics:**

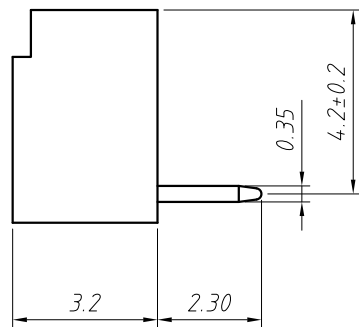
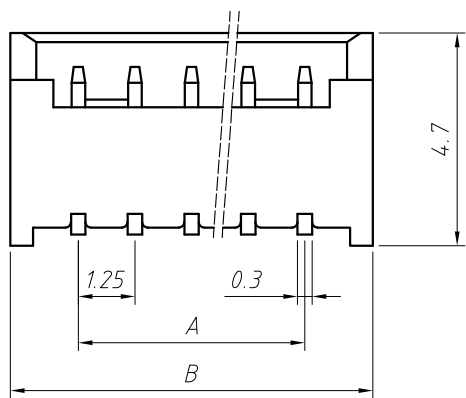
- 1.Poles: 2 to 25P
- 2.Current rating: 1.0A
- 3.Voltage rating: 125V
- 4.Temperature range: -25°C to +85°C
- 5.Contact resistance: ≤20mΩ
- 6.Insulation resistance: ≥100MΩ
- 7.Withstand voltage: 500V AC/minute
- 8.Applicable wire: AWG #32 to #28
- 9.Applicable PC board thickness: 0.8mm

**Order Information**

L-KLS1-XL1-1.25-XX-S



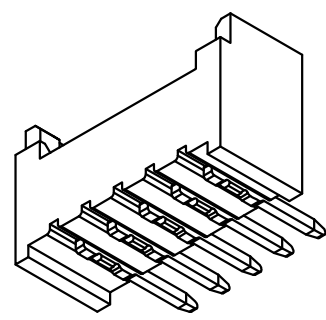
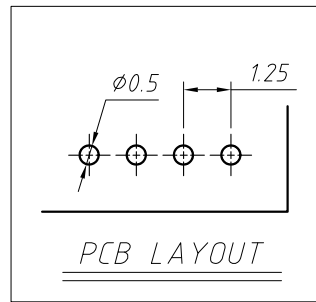
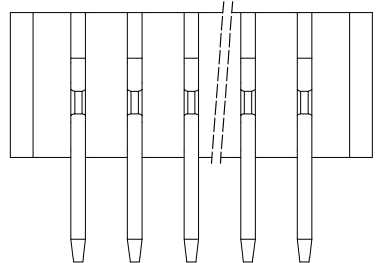
GENERAL TOLERANCE	PROJECTION		Description:
X. ±0.50	UNITS	mm	1.25mm ZH Type Wire To Board Connector
.X ±0.25	SCALE	1:1	
.XX ±0.10	Draw by:	Jenny	
ANGLE TOLERANCE	Check by:		KLS P/N: L-KLS1-XL1-1.25-XX-S
X. ±5°	Date	2018-03-01	NingBo KLS ELECTRONIC CO.,L TD.
.X ±3°	SHEET	1 OF 1	
.XX ±2°			



Circuit	Dimensions(mm)	
	A	B
02	1.25	4.25
03	2.50	5.50
04	3.75	6.75
05	5.00	8.00
06	6.25	9.25
07	7.50	10.50
08	8.75	11.75
09	10.00	13.00
10	11.25	14.25
11	12.50	15.50
12	13.75	16.75
13	15.00	18.00
14	16.25	19.25
15	17.50	20.50
16	18.75	21.75
--	---	---
25	30.00	33.00

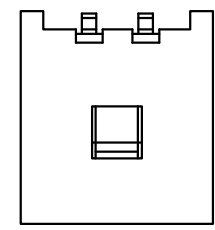
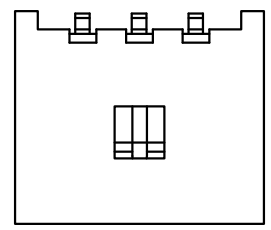
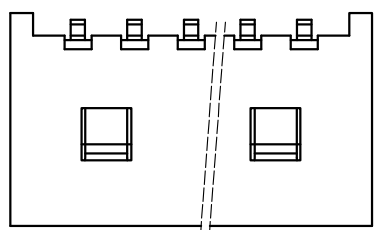
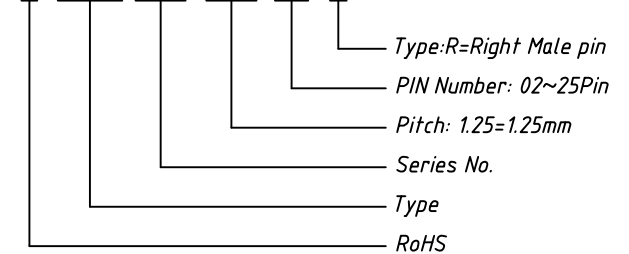
**Material:**  
Housing:PA66(UL 94V-0/V-2),White  
Contacts:Phosphor Bronze,Tin Plated

- Electrical Characteristics:**
- 1.Poles: 2 to 25P
  - 2.Current rating: 1.0A
  - 3.Voltage rating: 125V
  - 4.Temperature range: -25°C to +85°C
  - 5.Contact resistance:  $\leq 20m\Omega$
  - 6.Insulation resistance:  $\geq 100M\Omega$
  - 7.Withstand voltage: 500V AC/minute
  - 8.Applicable wire: AWG #32 to #28
  - 9.Applicable PC board thickness: 0.8mm

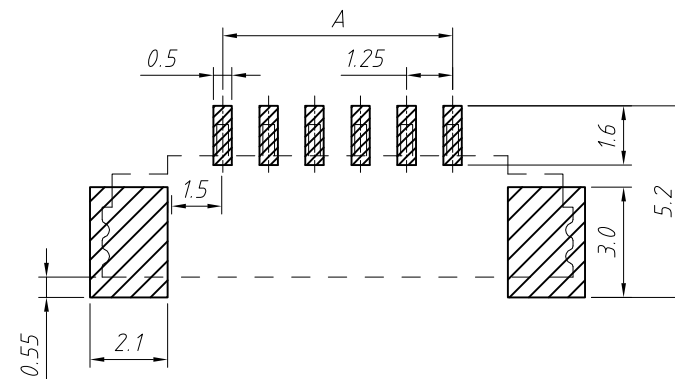
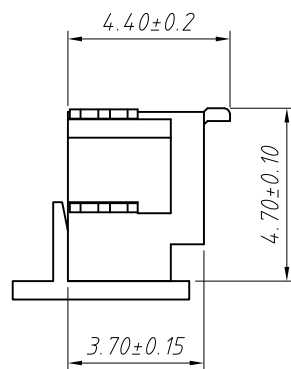
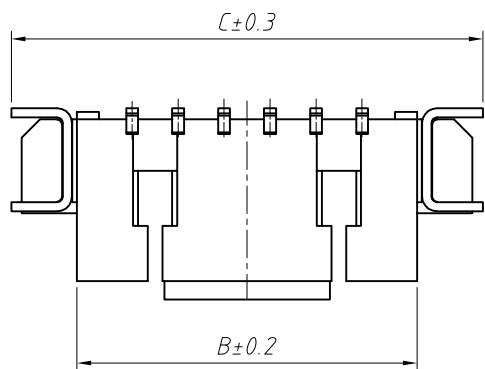


**Order Information**

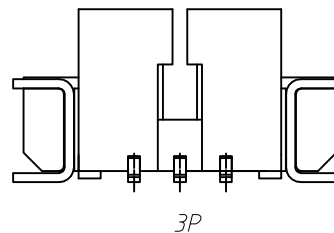
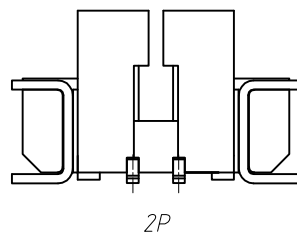
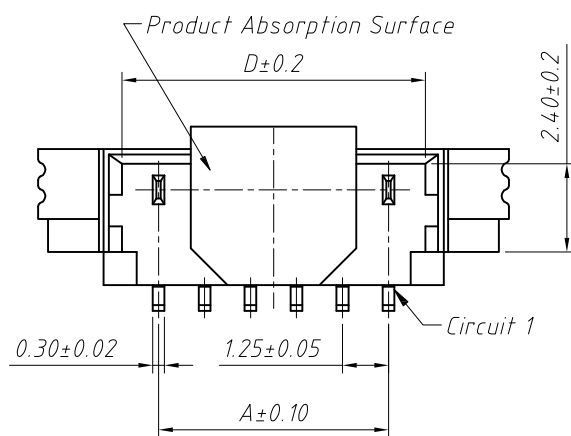
L-KLS1-XL1-1.25-XX-R



GENERAL TOLERANCE	PROJECTION		Description:
X. $\pm 0.50$	UNITS	mm	1.25mm ZH Type Wire To Board Connector
.X $\pm 0.25$	SCALE	1:1	
.XX $\pm 0.10$	Draw by:	Jenny	
ANGLE TOLERANCE	Check by:		KLS P/N: L-KLS1-XL1-1.25-XX-R
X. $\pm 5^\circ$	Date	2018-03-01	NingBo KLS ELECTRONIC CO.,L TD.
.X $\pm 3^\circ$	SHEET	1 OF 1	
.XX $\pm 2^\circ$			



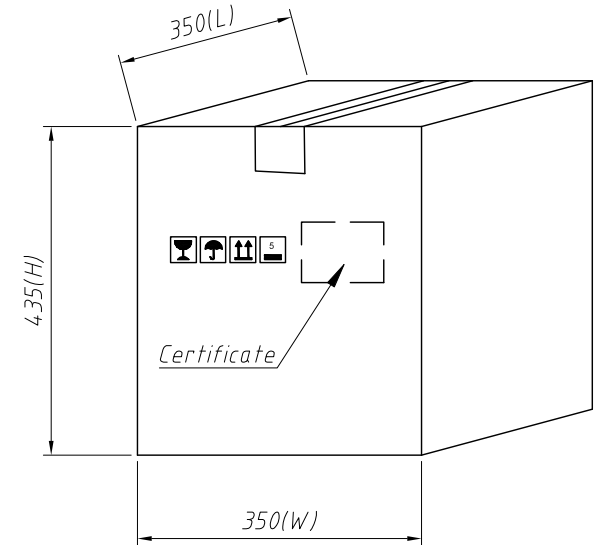
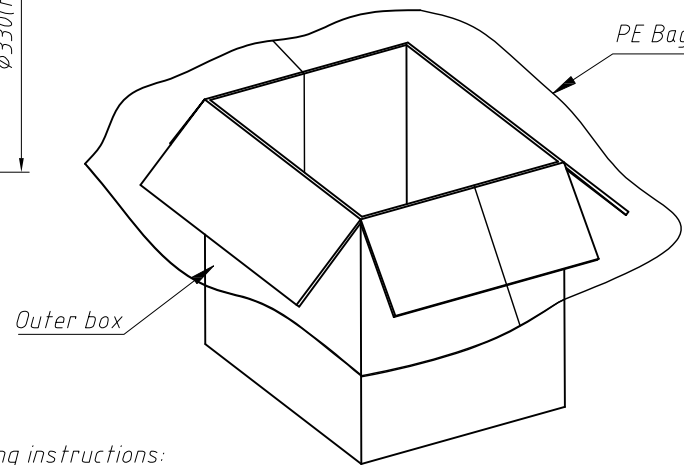
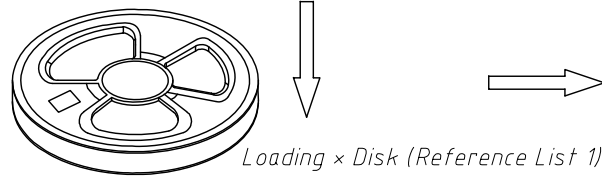
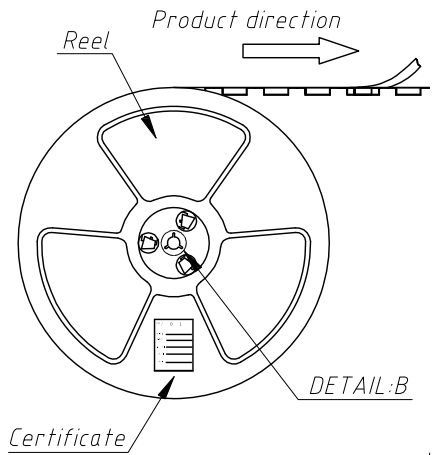
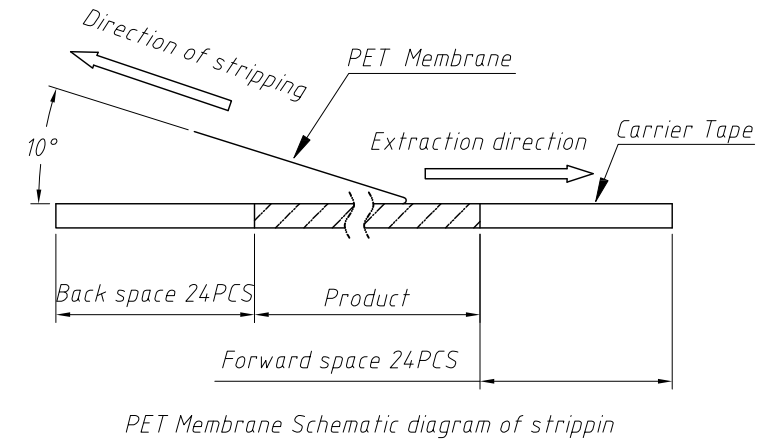
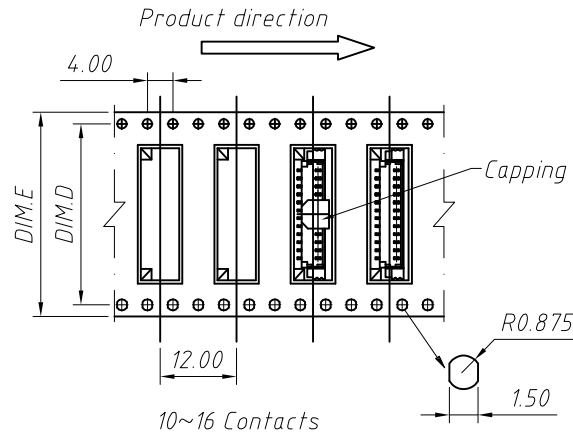
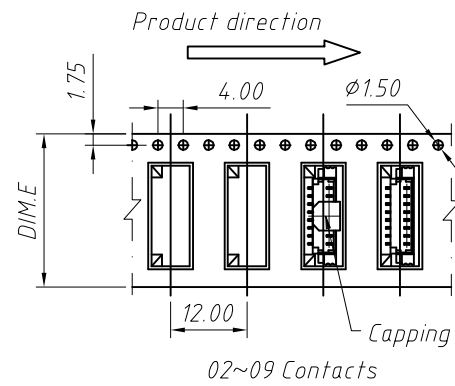
Suggested PCB Layout



Material:  
 Insulator:LCP UL94V-0,Beige  
 Contacts:Phosphor Bronze,Tin Plated  
 Solder Tab:Brass,Tin Plated  
 Electrical Specification:  
 Poles: 02 to 16  
 Contact resistance: $\leq 20m\Omega$   
 Insulation resistance: $\geq 100M\Omega$   
 Rated voltage:125V AC DC  
 Rated current:1.0A AC DC  
 Withstand Voltage:500V AC/minute  
 Temperature Range:-25°C~ +105°C

Circuit	Dimensions(mm)				Circuit	Dimensions(mm)			
	A	B	C	D		A	B	C	D
02	1.50	4.25	7.75	3.05	10	11.25	14.25	17.75	13.05
03	2.50	5.50	9.00	4.30	11	12.50	15.50	19.00	14.30
04	3.75	6.75	10.25	5.55	12	13.75	16.75	20.25	15.55
05	5.00	8.00	11.50	6.80	13	15.00	18.00	21.50	16.80
06	6.25	9.25	12.75	8.05	14	16.25	19.25	22.75	18.05
07	7.50	10.50	14.00	9.30	15	17.50	20.50	24.00	19.30
08	8.75	11.75	15.25	10.55	16	18.75	21.75	25.25	20.55
09	10.00	13.00	16.50	11.80					

GENERAL TOLERANCE	PROJECTION		Description:
X. $\pm 0.30$	UNITS	mm	Ptich 1.25mm Vertical SMT Wafer
.X $\pm 0.20$	SCALE	1:1	
.XX $\pm 0.10$	Draw by:	Jenny	
ANGLE TOLERANCE	Check by:		KLS P/N: L-KLS1-XL1-1.25-XX-VM
X. $\pm 5^\circ$	Date	2018-03-01	NingBo KLS ELECTRONIC CO.,L TD.
.X $\pm 3^\circ$	SHEET	1 OF 1	
.XX $\pm 2^\circ$			



**Packaging instructions:**


Pack the finished products into reels, each with 1000 PCS.

The product will be packed by pasting a certificate on the reel.

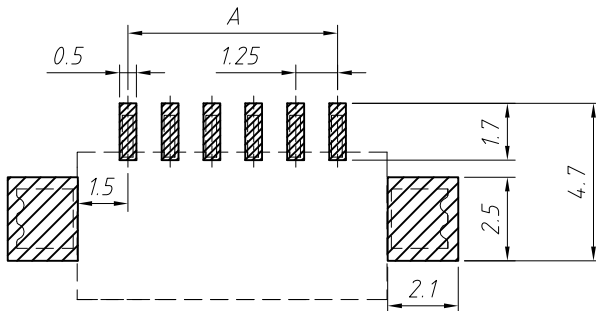
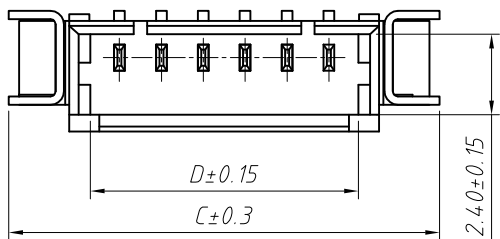
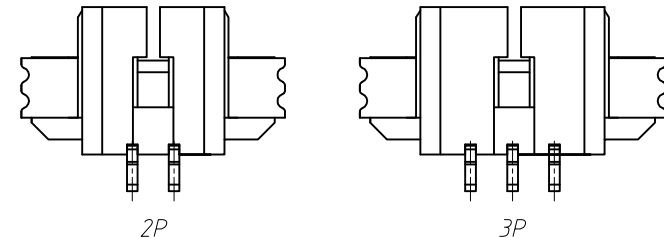
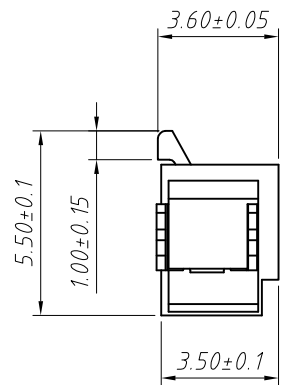
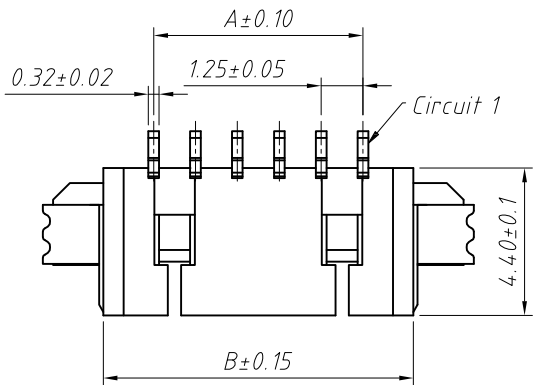
The reel is put into the outer box, and the outer box is fitted with one first.

Large PE bags with qualified certificates affixed on the outer case.

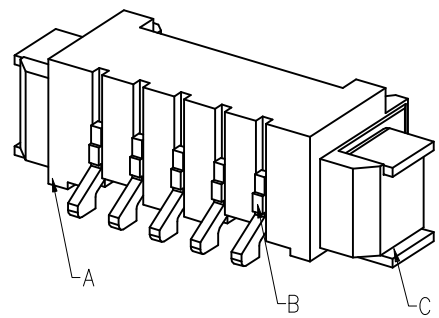
Circuits	DIM.D	DIM.E	Q'ty/Reel	Packing Reel/Caton
02-03 PIN	--	16	1000 PCS	20/Reel
04-09 PIN	--	24	1000 PCS	15/Reel
10-13 PIN	28.4	32	1000 PCS	11/Reel
114-16 PIN	40.4	44	1000 PCS	8/Reel

GENERAL TOLERANCE	PROJECTION	Symbol	Description:
.X ±0.30	UNITS	mm	Packaging Specification PITCH 1.25mm Vertical SMT
.X ±0.20	SCALE	1:1	
.XX ±0.10	Draw by:	Jenny	
ANGLE TOLERANCE	Check by:		KLS P/N: L-KLS1-XL1-1.25-XX-VM
.X ±5°	Date	2018-03-01	 NingBo KLS ELECTRONIC CO.,L TD.
.X ±3°	SHEET	1 OF 1	
.XX ±2°			





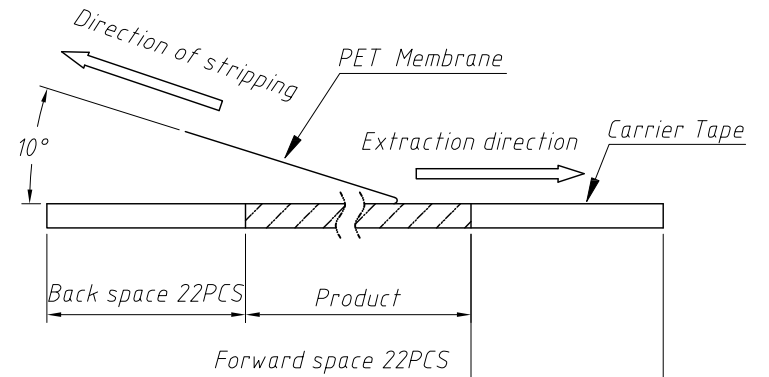
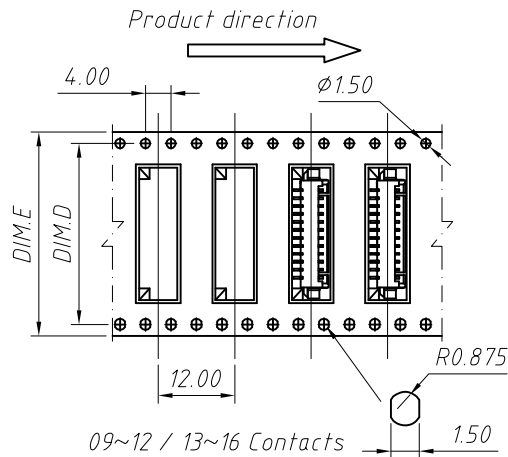
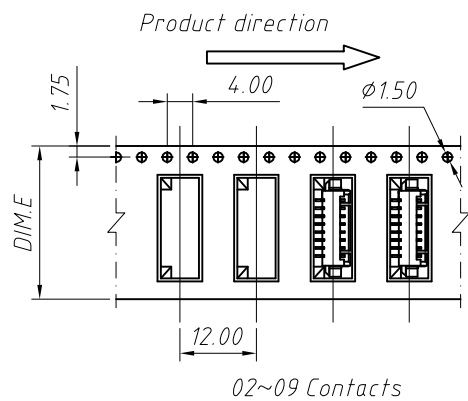
Suggested PCB Layout



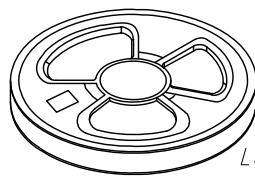
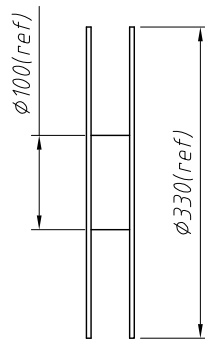
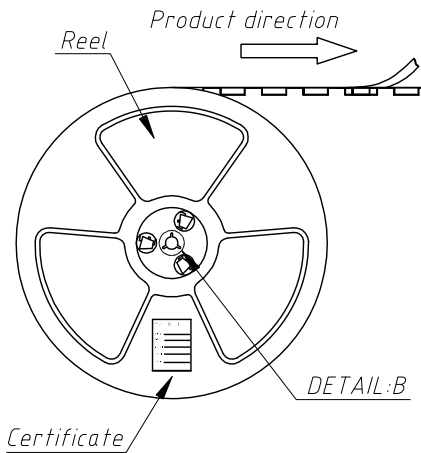
Material:  
 Insulator:LCP UL94V-0,Beige  
 Contacts:Phosphor Bronze,Tin Plated  
 Solder Tab:Brass,Tin Plated  
 Electrical Specification:  
 Poles: 02 to 16  
 Contact resistance:≤20mΩ  
 Insulation resistance:≥100MΩ  
 Rated voltage:125V AC DC  
 Rated current:1.0A AC DC  
 Withstand Voltage:500V AC/minute  
 Temperature Range:-25℃~ +105℃

Circuit	Dimensions(mm)				Circuit	Dimensions(mm)			
	A	B	C	D		A	B	C	D
02	1.50	4.25	7.75	3.05	10	11.25	14.25	17.75	13.05
03	2.50	5.50	9.00	4.30	11	12.50	15.50	19.00	14.30
04	3.75	6.75	10.25	5.55	12	13.75	16.75	20.25	15.55
05	5.00	8.00	11.50	6.80	13	15.00	18.00	21.50	16.80
06	6.25	9.25	12.75	8.05	14	16.25	19.25	22.75	18.05
07	7.50	10.50	14.00	9.30	15	17.50	20.50	24.00	19.30
08	8.75	11.75	15.25	10.55	16	18.75	21.75	25.25	20.55
09	10.00	13.00	16.50	11.80					

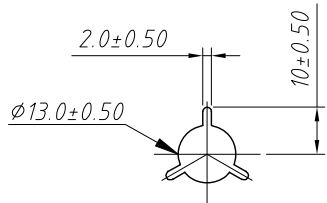
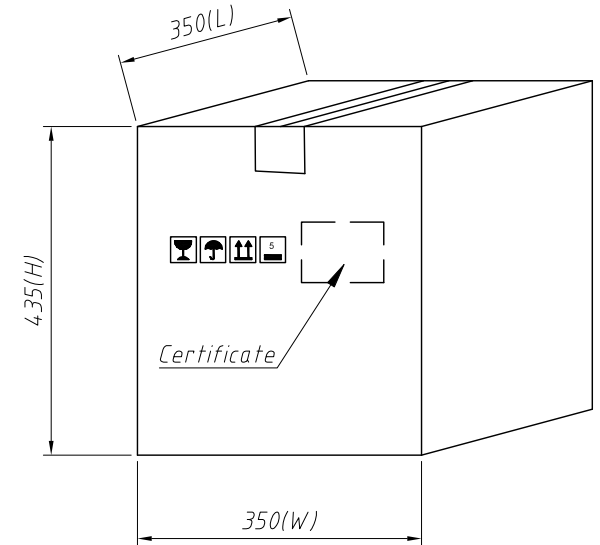
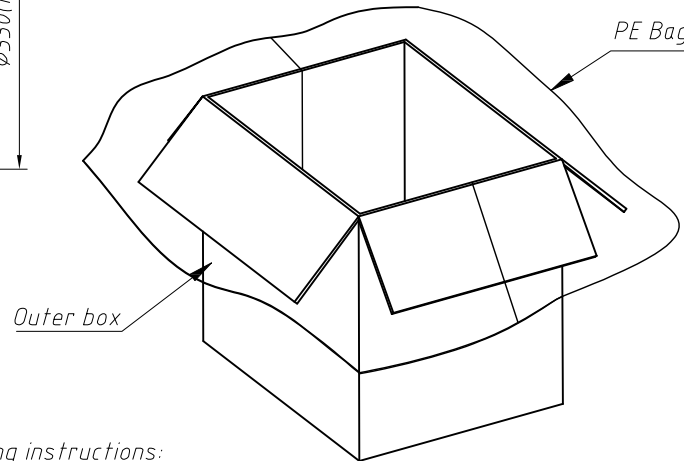
GENERAL TOLERANCE	PROJECTION		Description:
X. ±0.30	UNITS	mm	Pitch 1.25mm Horizontal SMT Wafer
.X ±0.20	SCALE	1:1	
.XX ±0.10	Draw by:	Jenny	
ANGLE TOLERANCE	Check by:		KLS P/N: L-KLS1-XL1-1.25-XX-RM
X. ±5°	Date	2018-03-01	NingBo KLS ELECTRONIC CO.,L TD.
.X ±3°	SHEET	1 OF 1	
.XX ±2°			



PET Membrane Schematic diagram of stripping



Loading x Disk (Reference List 1)



DETAIL:B

**Packaging instructions:**


Pack the finished products into reels, each with 1500 PCS.

The product will be packed by pasting a certificate on the reel.

The reel is put into the outer box, and the outer box is fitted with one first.

Large PE bags with qualified certificates affixed on the outer case.

Circuits	DIM.D	DIM.E	Q'ty/Reel	Packing Reel/Carton
02 PIN	--	12	2000 PCS	25/Reel
03-06 PIN	--	16	1500 PCS	20/Reel
07-14 PIN	--	24	1500 PCS	15/Reel
15-18 PIN	28.4	32	1500 PCS	11/Reel

GENERAL TOLERANCE	PROJECTION	Symbol	Description:
.X ±0.30	UNITS	mm	Packaging Specification PITCH 1.25mm Horizontal SMT
.X ±0.20	SCALE	1:1	
.XX ±0.10	Draw by:	Jenny	
ANGLE TOLERANCE	Check by:		KLS P/N: L-KLS1-XL1-1.25-XX-RM
.X ±5°	Date	2018-03-01	 <b>NingBo KLS ELECTRONIC CO.,L TD.</b>
.X ±3°	SHEET	1 OF 1	
.XX ±2°			