

REV.	DESCRIPTION	DRAWN	CHECKED	APPROVED
A	NEW RELEASE	JLZ 07/27/15'		

NOTES:

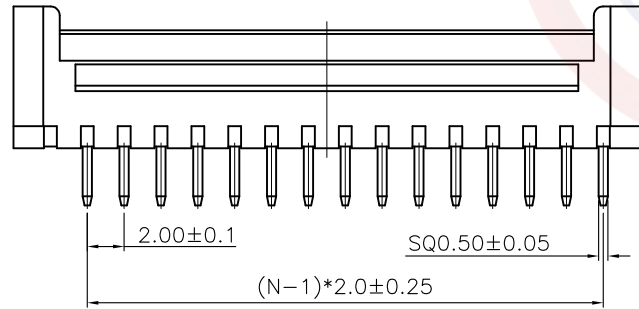
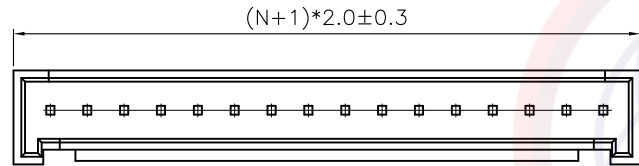
1. MAIN SPECIFICATIONS

- . Housing material: NYLON 66
- . Contact material: Copper Alloy
- . Rated voltage: 125V
- . Rated current: 2.0A
- . Contact resistance:  $\leq 30m\Omega$
- . Insulation resistance:  $\geq 1000M\Omega$
- . Withstanding voltage: 500V,AC 1 minute
- . Temperature range:  $-25 \sim +85^{\circ}C$
- . Recommend PC board thickness:1.6mm

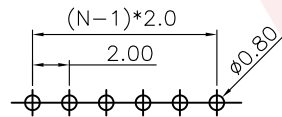
2. PRODUCT NUMBER CODE:

DS1066-05 - X X X X X X

- Contact type  
X: W/O Kink
- Housing Color  
V: Ivory  
W: White
- Contact Plating  
6: Tin
- Mounting type  
V: V/T type  
R: R/A type
- Connector type  
M: Male
- No. of contact  
2 to 15



N=No. of contact



RECOMMEND PCB LAYOUT  
(TOLERANCE=  $\pm 0.05$ )

GENERAL TOLERANCE		ANGLE TOLERANCE		PROJECTION	TITLE
X.	$\pm 0.60$	X.	$\pm 5^{\circ}$		2.0mm Wafer & Housing PHS TYPE
.X	$\pm 0.38$	.X	$\pm 3^{\circ}$	mm	
.XX	$\pm 0.25$	.XX	$\pm 2^{\circ}$	A4	SERIES DS1066-05 SERIES
DRAWING TYPE		CUSTOMER		<b>晨翔电子有限公司</b> <b>CONNFLY ELECTRONIC CO. LTD</b>	
SCALE		1:1	SHEET 1 OF 2		
DRAWING NO.		C-DS1066-05-XXXXX-A			

REV.	DESCRIPTION	DRAWN	CHECKED	APPROVED
A	NEW RELEASE	JLZ 07/27/15'		

NOTES:

1. MAIN SPECIFICATIONS

- . Housing material: NYLON 66
- . Contact material: Copper Alloy
- . Rated voltage: 250V
- . Rated current: 1A
- . Contact resistance:  $\leq 30m\Omega$
- . Insulation resistance:  $\geq 1000M\Omega$
- . Withstanding voltage: 500V,AC 1 minute
- . Temperature range:  $-25 \sim +85^{\circ}C$
- . Recommend PC board thickness:1.6mm

2. PRODUCT NUMBER CODE:

Terminal

T - DS1066-05 - S C X 0 0

Contact Plating  
6: Tin

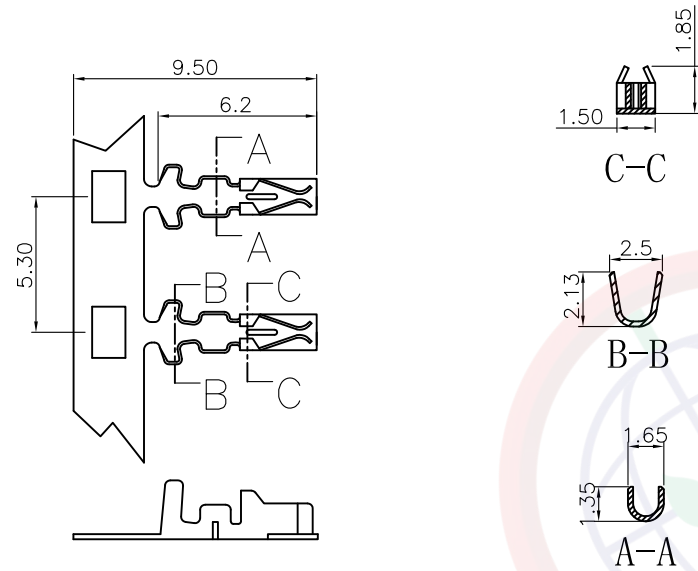
Housing

I - DS1066-05 - S C X 0 X

No.of hole  
02~15

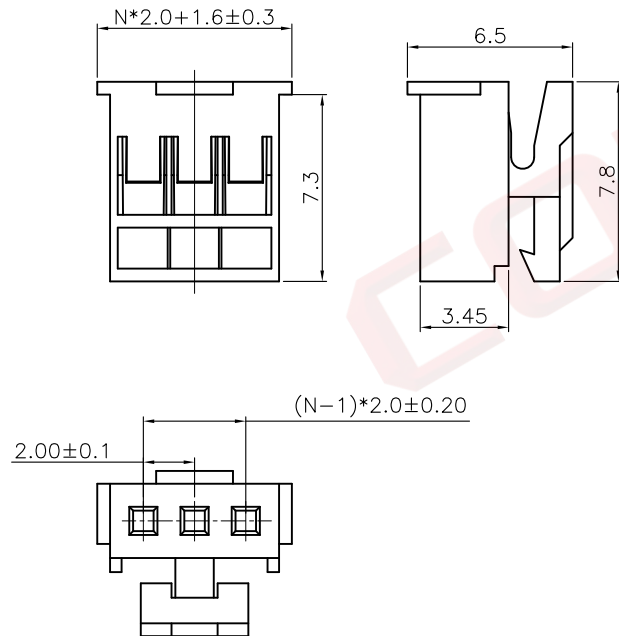
Housing color  
V: Ivory  
W: White

Terminal



Housing

N=No.of hole



GENERAL TOLERANCE		ANGLE TOLERANCE	
X.	±0.60	X.	±5°
.X	±0.38	.X	±3°
.XX	±0.25	.XX	±2°

PROJECTION	TITLE
	2.0mm Wafer & Housing PHS TYPE
UNITS	mm
SHEET SIZE	A4
SERIES	DS1066-05 SERIES

DRAWING TYPE	CUSTOMER		
SCALE	1:1	SHEET	2 OF 2
DRAWING NO.	C-DS1066-05-XXXXX-A		



晨翔电子有限公司

CONNFLY CONNFLY ELECTRONIC CO. LTD