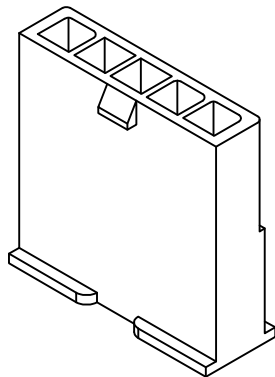
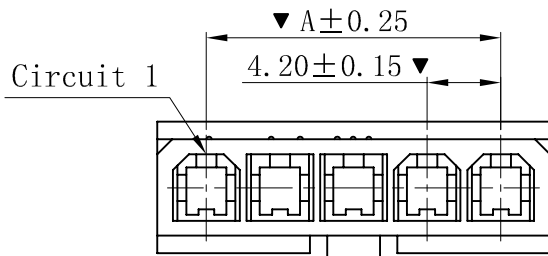


RoHS

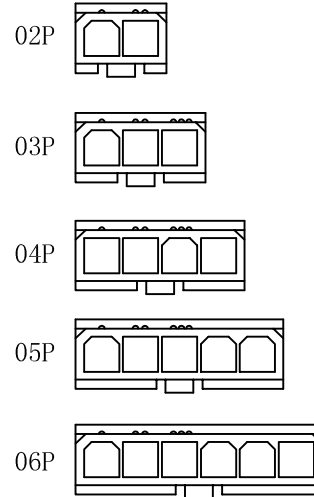
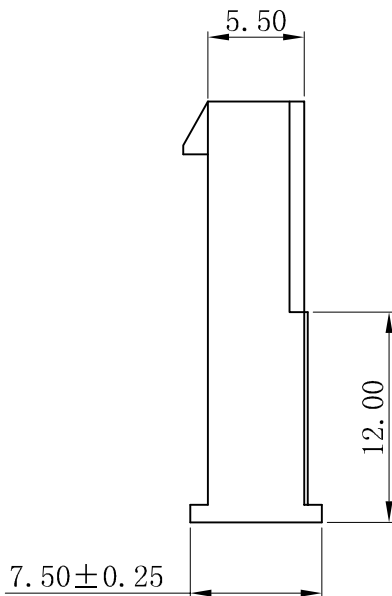
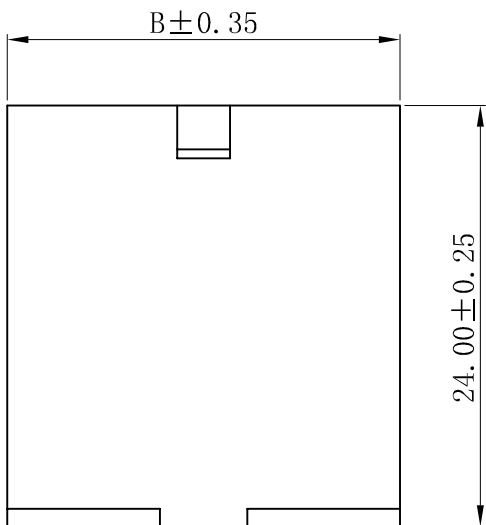


■ SPECIFICATIONS

- Voltage rating: 600V AC, DC
- Current rating: 7A, AC, DC
- Withstanding Voltage: 1500V AC/minute
- Insulation resistance: 1000MΩ min
- Temperature range: -25° C ~ +85° C

■ HOUSING

- Part No.:
- Poles: 02-06P
- Housing Material: PA66 UL94V-2 or UL94V-0
- Mates With: H4201 Single Row Receptacle
- Use With: T4201 Terminal
- The Dimension Marked “▼” Must Be Recorded



CIRCUIT SIZE LAYOUT

Part No.	Dimensions (mm)	
	A	B
02	4.20	9.80
03	8.40	14.00
04	12.60	18.20
05	16.80	22.40
06	21.00	26.60

D	更新图面	2019-07-03	PA. Duca	一般公差 GENERAL TOLERANCE:	0±0.30 .0±0.25 .00±0.20 .000±0.05 ANGLE. ±1°
C	修订版本	2015-11-04	陈雄军	绘图/DR	PA. Duca
B	变更图宽格式内容	2013-12-27	陈雄军	审核/CHECK	陈雄军
A	新版本	2011-05-24	陈雄军	核准/APPRO	胡进
版次 REV.	说明 DESCRIPTION	日期 DATE.	承认 APPRO.	日期/DATE	2019-07-03

NINGBO KLS ELECTRONIC CO.,LTD					
投影法 Projection		品名 (PART NEME)	Molex 4.20mm 无翅 Female Housing Connector Series		
单位 Unit	MM	料号 (PART NO)	L-KLS1-4.20-1X03-FH-W1	状态码 C	
比例/Scale	1:1				
大小/SIZE	A4				
页码/SHEET	1/1				
版本/Rev	D				