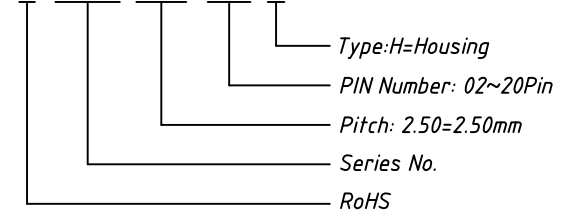


Circuit	Dimensions(mm)		
	A	B	C
02	2.50	5.7	7.3
03	5.00	8.2	9.8
04	7.50	10.7	12.3
05	10.00	13.2	14.8
06	12.50	15.7	17.3
07	15.00	18.2	19.8
08	17.50	20.7	22.3
09	20.00	23.2	24.8
10	22.50	25.7	27.3
11	25.00	28.2	29.8
12	27.50	30.7	32.3
13	30.00	33.2	34.8
14	32.50	35.7	37.3
15	35.00	38.2	39.8
16	37.50	40.7	42.3
17	40.00	43.2	44.8
18	42.50	45.7	47.3
19	45.00	48.2	49.8
20	47.50	50.7	52.3

Order Information

L-KLS1-2.50-XX-H

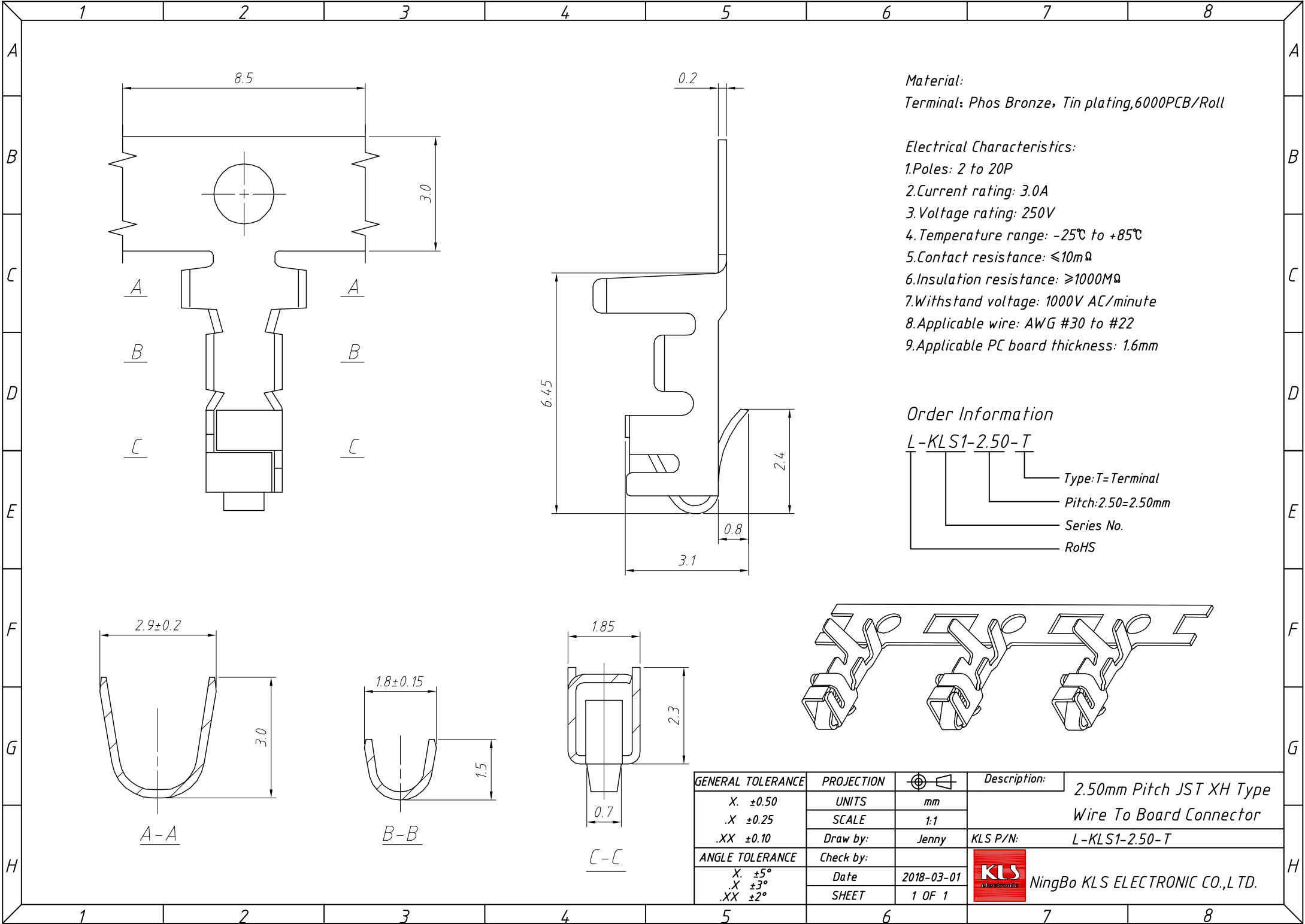


Electrical Characteristics:

- 1.Poles: 2 to 20P
- 2.Current rating: 3.0A
- 3.Voltage rating: 250V
- 4.Temperature range: -25℃ to +85℃
- 5.Contact resistance: $\leq 10m\Omega$
- 6.Insulation resistance: $\geq 1000M\Omega$
- 7.Withstand voltage: 1000V AC/minute
- 8.Applicable wire: AWG #30 to #22
- 9.Applicable PC board thickness: 1.6mm

Material:
Housing:PA66(UL 94 V-0),White

GENERAL TOLERANCE	PROJECTION		Description:
.X. ± 0.50	UNITS	mm	2.50mm Pitch JST XH Type Wire To Board Connector
.X ± 0.25	SCALE	1:1	
.XX ± 0.10	Draw by:	Jenny	
ANGLE TOLERANCE	Check by:		KLS P/N: L-KLS1-2.50-XX-H
.X. $\pm 5^\circ$	Date	2018-03-01	NingBo KLS ELECTRONIC CO.,L TD.
.X $\pm 3^\circ$	SHEET	1 OF 1	
.XX $\pm 2^\circ$			



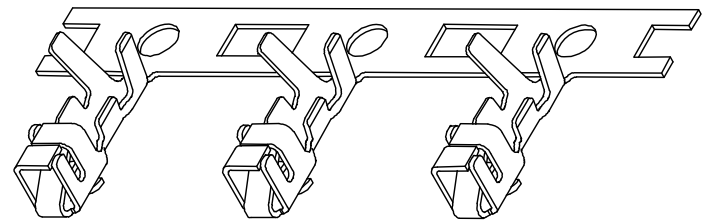
Material:
Terminal: Phos Bronze, Tin plating, 6000PCB/Roll

- Electrical Characteristics:**
1. Poles: 2 to 20P
 2. Current rating: 3.0A
 3. Voltage rating: 250V
 4. Temperature range: -25°C to +85°C
 5. Contact resistance: $\leq 10m\Omega$
 6. Insulation resistance: $\geq 1000M\Omega$
 7. Withstand voltage: 1000V AC/minute
 8. Applicable wire: AWG #30 to #22
 9. Applicable PC board thickness: 1.6mm

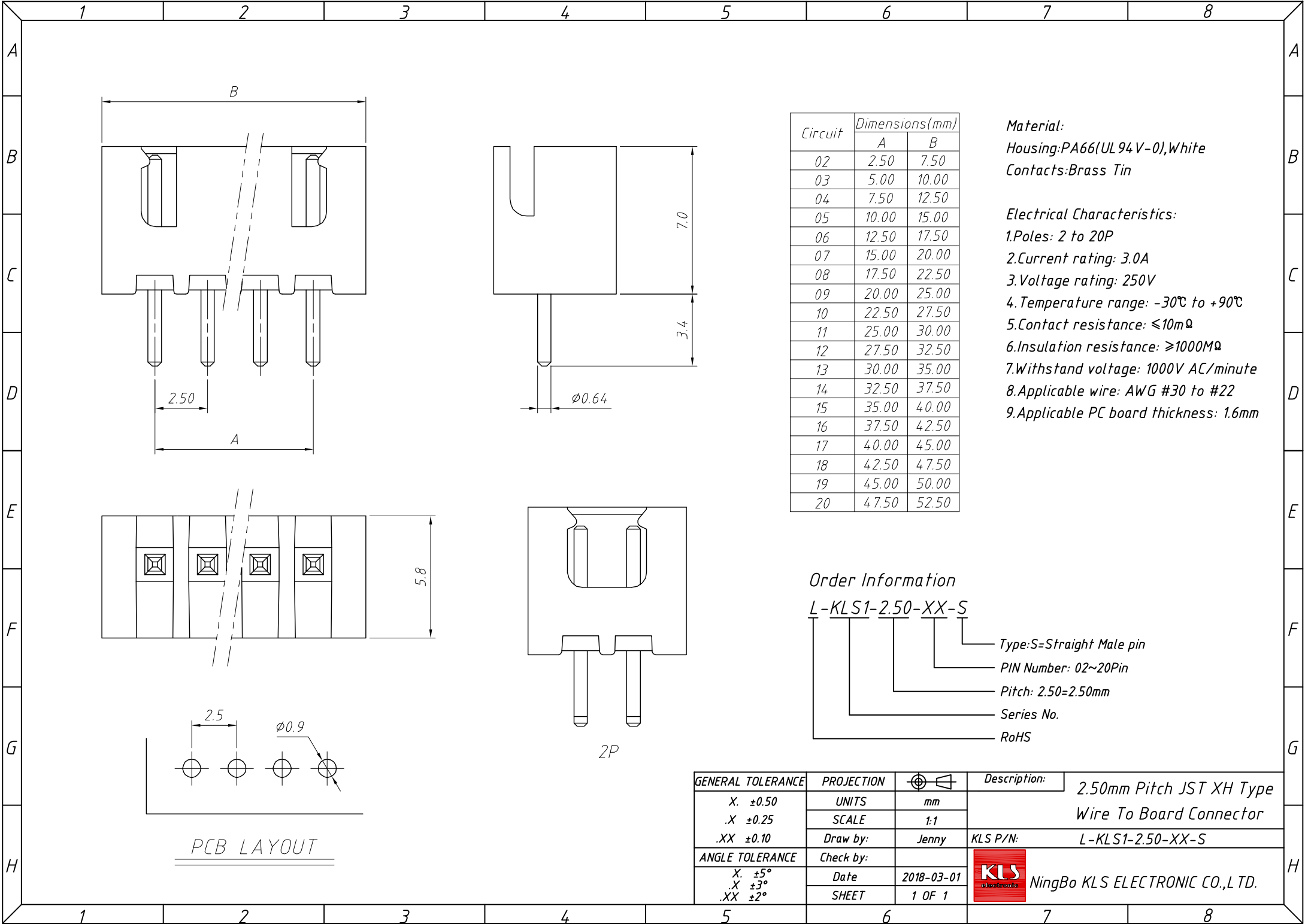
Order Information

L-KLS1-2.50-T

- Type: T=Terminal
- Pitch: 2.50=2.50mm
- Series No.
- RoHS



GENERAL TOLERANCE	PROJECTION		Description:
X. ± 0.50	UNITS	mm	2.50mm Pitch JST XH Type Wire To Board Connector
.X ± 0.25	SCALE	1:1	
.XX ± 0.10	Draw by:	Jenny	
ANGLE TOLERANCE	Check by:		KLS P/N: L-KLS1-2.50-T
X. $\pm 5^\circ$	Date	2018-03-01	NingBo KLS ELECTRONIC CO.,L TD.
.X $\pm 3^\circ$	SHEET	1 OF 1	
.XX $\pm 2^\circ$			

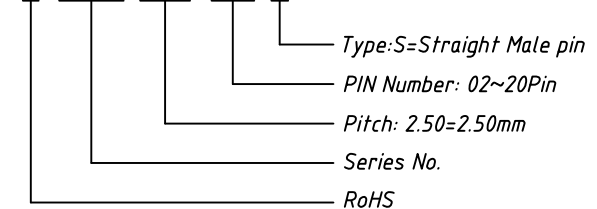


Circuit	Dimensions(mm)	
	A	B
02	2.50	7.50
03	5.00	10.00
04	7.50	12.50
05	10.00	15.00
06	12.50	17.50
07	15.00	20.00
08	17.50	22.50
09	20.00	25.00
10	22.50	27.50
11	25.00	30.00
12	27.50	32.50
13	30.00	35.00
14	32.50	37.50
15	35.00	40.00
16	37.50	42.50
17	40.00	45.00
18	42.50	47.50
19	45.00	50.00
20	47.50	52.50

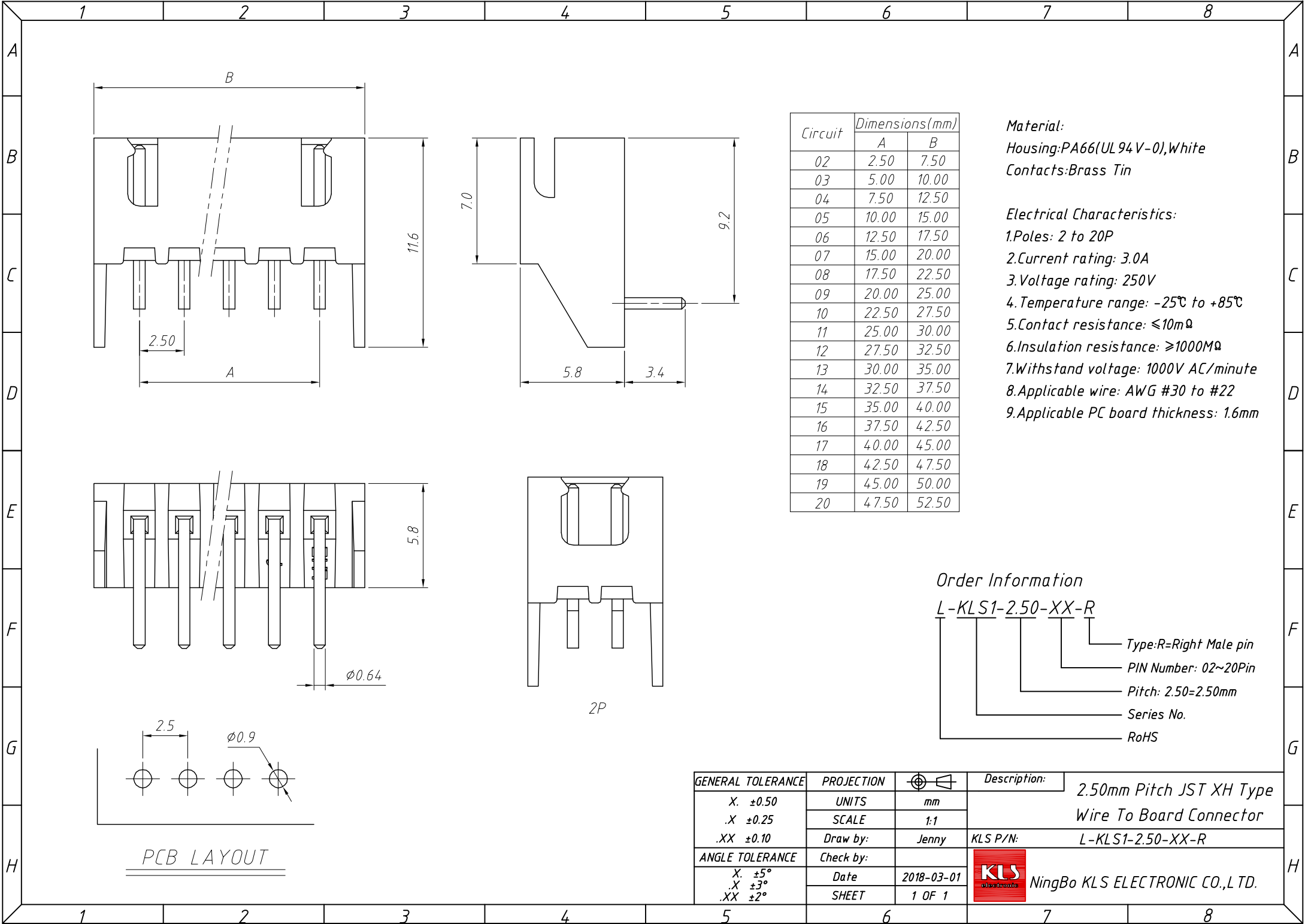
- Material:**
Housing: PA66(UL 94V-0), White
Contacts: Brass Tin
- Electrical Characteristics:**
1. Poles: 2 to 20P
2. Current rating: 3.0A
3. Voltage rating: 250V
4. Temperature range: -30°C to +90°C
5. Contact resistance: ≤10mΩ
6. Insulation resistance: ≥1000MΩ
7. Withstand voltage: 1000V AC/minute
8. Applicable wire: AWG #30 to #22
9. Applicable PC board thickness: 1.6mm

Order Information

L-KLS1-2.50-XX-S



GENERAL TOLERANCE	PROJECTION		Description:
X. ±0.50	UNITS	mm	2.50mm Pitch JST XH Type Wire To Board Connector
.X ±0.25	SCALE	1:1	
.XX ±0.10	Draw by:	Jenny	
ANGLE TOLERANCE	Check by:		KLS P/N: L-KLS1-2.50-XX-S
X. ±5°	Date	2018-03-01	NingBo KLS ELECTRONIC CO.,L TD.
.X ±3°	SHEET	1 OF 1	
.XX ±2°			



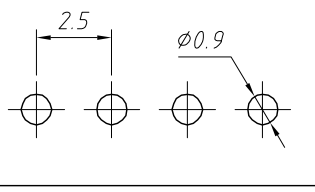
Circuit	Dimensions (mm)	
	A	B
02	2.50	7.50
03	5.00	10.00
04	7.50	12.50
05	10.00	15.00
06	12.50	17.50
07	15.00	20.00
08	17.50	22.50
09	20.00	25.00
10	22.50	27.50
11	25.00	30.00
12	27.50	32.50
13	30.00	35.00
14	32.50	37.50
15	35.00	40.00
16	37.50	42.50
17	40.00	45.00
18	42.50	47.50
19	45.00	50.00
20	47.50	52.50

Material:
Housing: PA66 (UL 94V-0), White
Contacts: Brass Tin

Electrical Characteristics:
1. Poles: 2 to 20P
2. Current rating: 3.0A
3. Voltage rating: 250V
4. Temperature range: -25°C to +85°C
5. Contact resistance: ≤10mΩ
6. Insulation resistance: ≥1000MΩ
7. Withstand voltage: 1000V AC/minute
8. Applicable wire: AWG #30 to #22
9. Applicable PC board thickness: 1.6mm

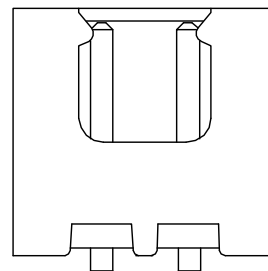
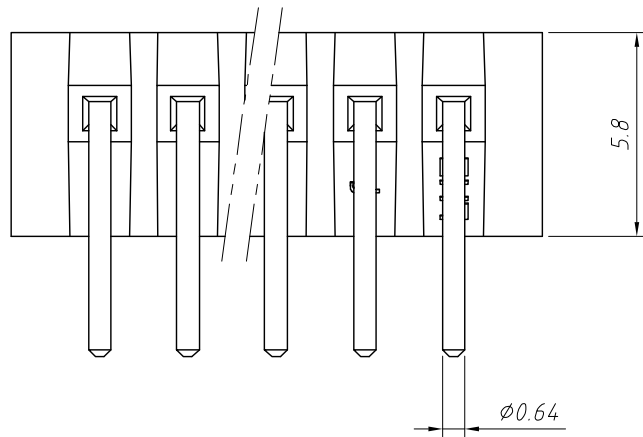
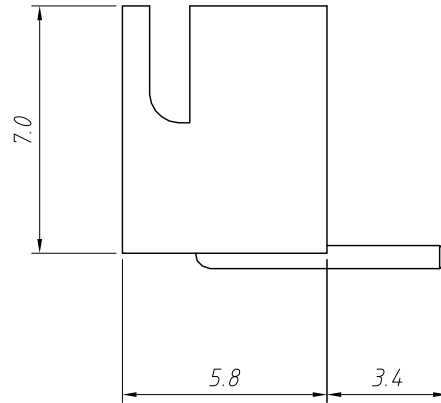
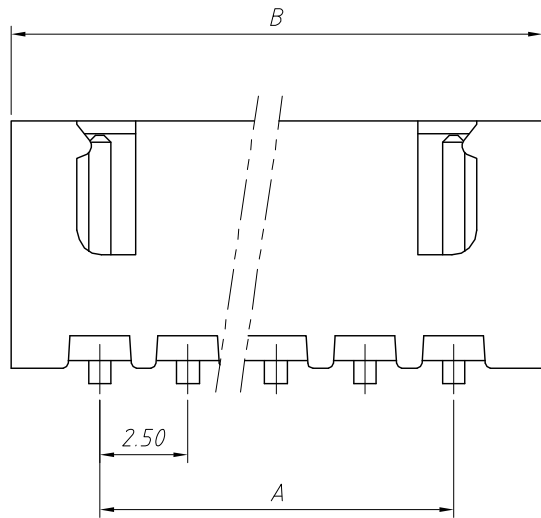
Order Information
L-KLS1-2.50-XX-R

- Type: R=Right Male pin
- PIN Number: 02~20Pin
- Pitch: 2.50=2.50mm
- Series No.
- RoHS

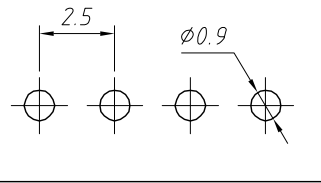


PCB LAYOUT

GENERAL TOLERANCE	PROJECTION		Description:
X. ±0.50	UNITS	mm	2.50mm Pitch JST XH Type Wire To Board Connector
.X ±0.25	SCALE	1:1	
.XX ±0.10	Draw by:	Jenny	
ANGLE TOLERANCE	Check by:		KLS P/N: L-KLS1-2.50-XX-R
X. ±5°	Date	2018-03-01	NingBo KLS ELECTRONIC CO.,L TD.
.X ±3°	SHEET	1 OF 1	
.XX ±2°			



2P



PCB LAYOUT

Circuit	Dimensions(mm)	
	A	B
02	2.50	7.50
03	5.00	10.00
04	7.50	12.50
05	10.00	15.00
06	12.50	17.50
07	15.00	20.00
08	17.50	22.50
09	20.00	25.00
10	22.50	27.50
11	25.00	30.00
12	27.50	32.50
13	30.00	35.00
14	32.50	37.50
15	35.00	40.00
16	37.50	42.50
17	40.00	45.00
18	42.50	47.50
19	45.00	50.00
20	47.50	52.50

Material:

Housing:PA66(UL 94V-0),White

Contacts:Brass Tin

Electrical Characteristics:

1.Poles: 2 to 20P

2.Current rating: 3.0A

3.Voltage rating: 250V

4. Temperature range: -25°C to +85°C

5.Contact resistance: $\leq 10m\Omega$

6.Insulation resistance: $\geq 1000M\Omega$

7.Withstand voltage: 1000V AC/minute

8.Applicable wire: AWG #30 to #22

9.Applicable PC board thickness: 1.6mm

Order Information

L-KLS1-2.50-XX-R1

Type:R1=Right Male pin

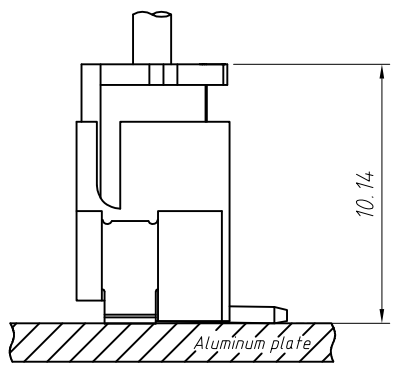
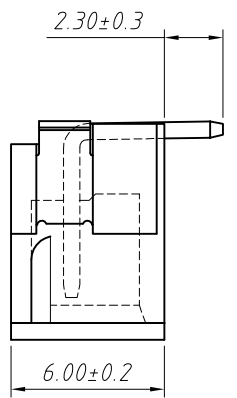
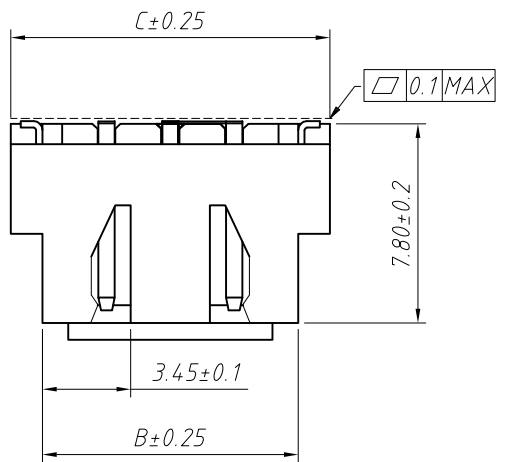
PIN Number: 02~20Pin

Pitch: 2.50=2.50mm

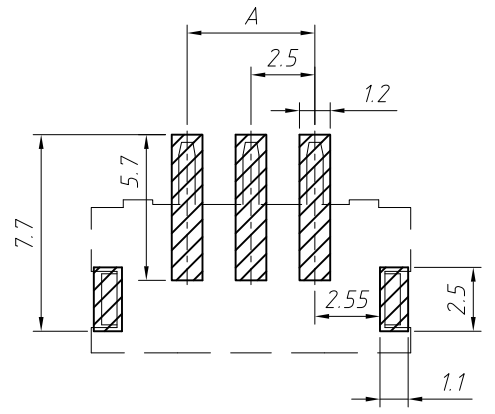
Series No.

RoHS

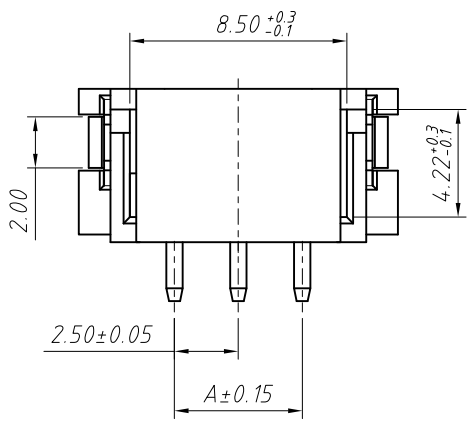
GENERAL TOLERANCE	PROJECTION		Description:
X. ± 0.50	UNITS	mm	2.50mm Pitch JST XH Type Wire To Board Connector
.X ± 0.25	SCALE	1:1	
.XX ± 0.10	Draw by:	Jenny	
ANGLE TOLERANCE	Check by:		KLS P/N: L-KLS1-2.50-XX-R1
X. $\pm 5^\circ$	Date	2018-03-01	NingBo KLS ELECTRONIC CO.,L TD.
X. $\pm 3^\circ$	SHEET	1 OF 1	
.XX $\pm 2^\circ$			



Assembly Layout

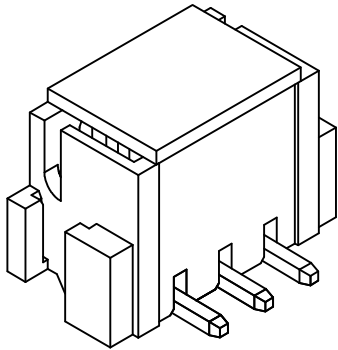


SUGGESTED PCB LAYOUT



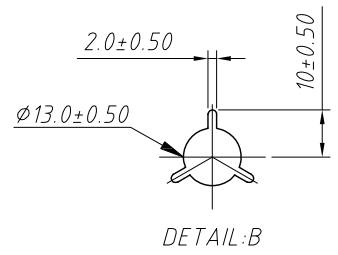
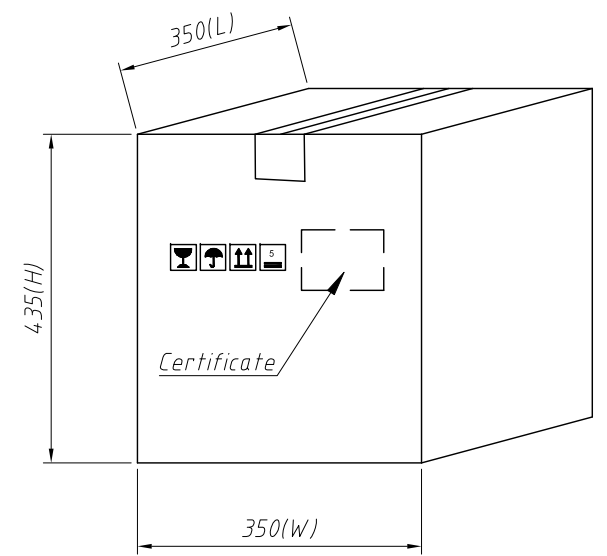
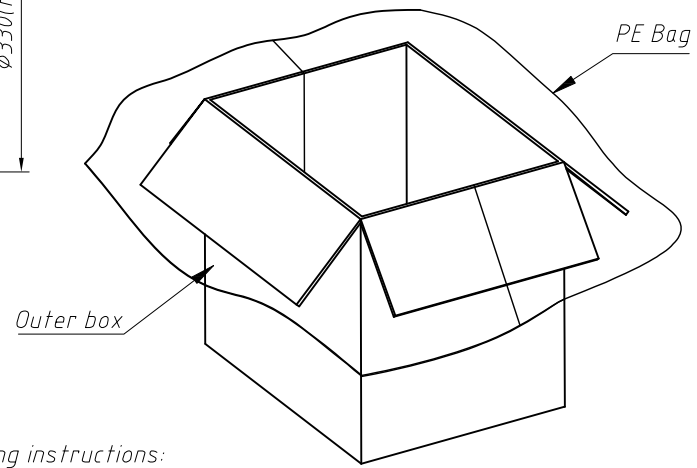
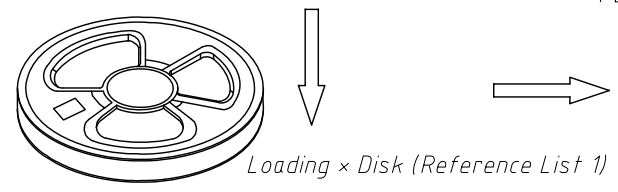
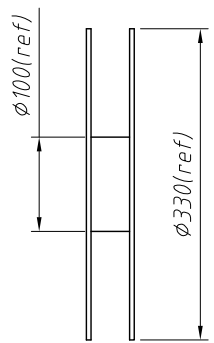
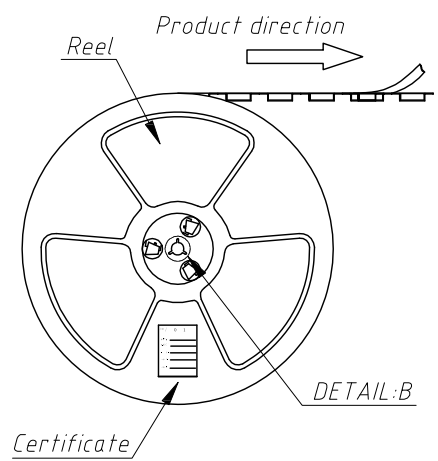
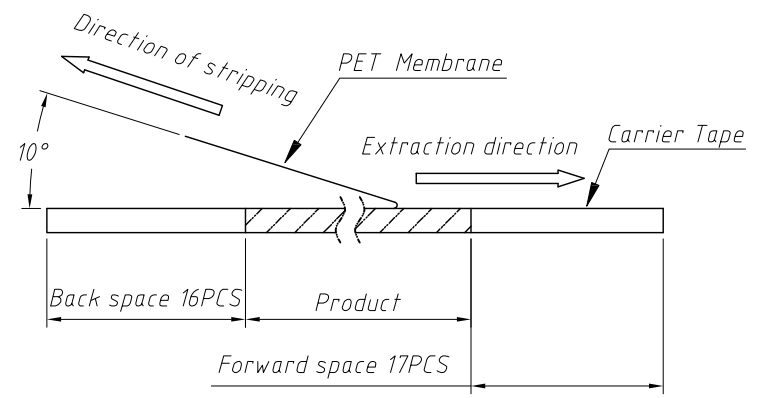
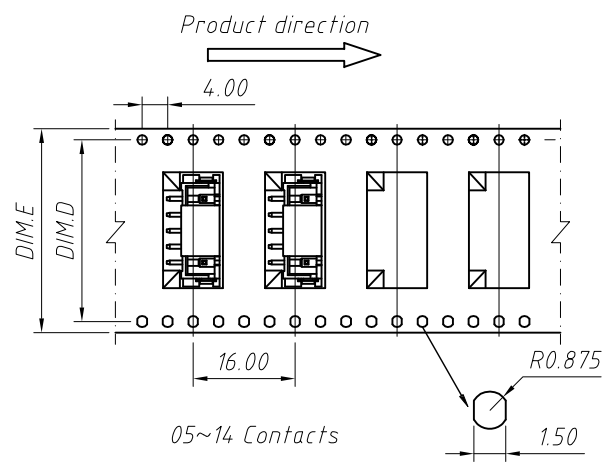
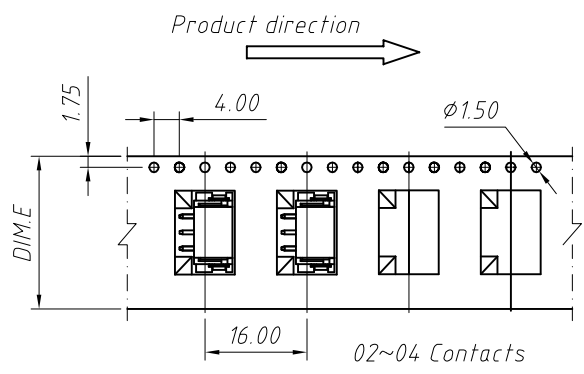
Material:
 Insulator: LCP UL94V-0, Beige
 Contacts: Brass, Tin Plated
 Solder Tab: Brass, Tin Plated

Electrical Specification:
 Poles: 02 to 16
 Contact resistance: $\leq 20m\Omega$
 Insulation resistance: $\geq 1000M\Omega$
 Rated voltage: 250V AC DC
 Rated current: 3.0A AC DC
 Withstand Voltage: 1000V AC/minute
 Temperature Range: $-25^{\circ}C \sim +105^{\circ}C$



Circuit	Dimensions(mm)			Circuit	Dimensions(mm)		
	A	B	C		A	B	C
02	2.50	7.50	10.00	10	22.50	27.50	30.00
03	5.00	10.00	12.50	11	25.00	30.00	32.50
04	7.50	12.50	15.00	12	27.50	32.50	35.00
05	10.00	15.00	17.50	13	30.00	35.00	37.50
06	12.50	17.50	20.00	14	32.50	37.50	40.00
07	15.00	20.00	22.50	15	35.00	40.00	42.50
08	14.50	22.50	25.00	16	37.50	42.50	45.00
09	20.00	25.00	27.50				

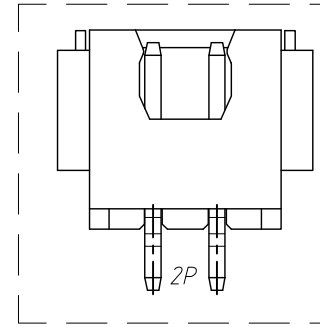
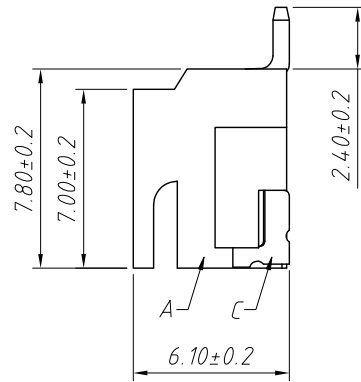
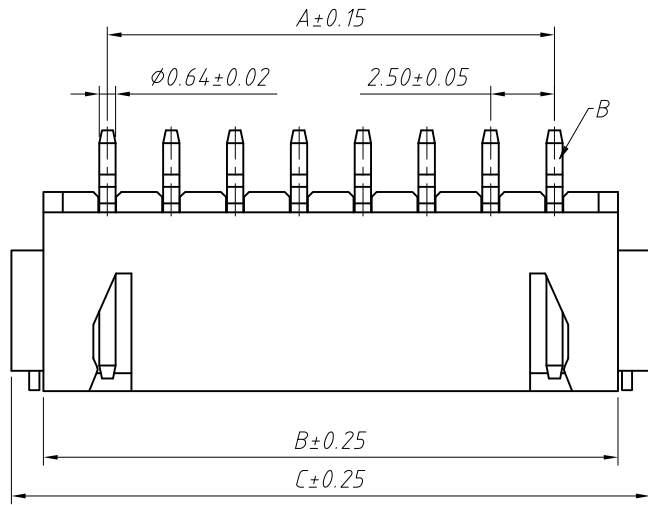
GENERAL TOLERANCE	PROJECTION		Description:
X. ± 0.30	UNITS	mm	2.50mm Pitch JST XH Type Wire To Board Connector
.X ± 0.20	SCALE	1:1	
.XX ± 0.10	Draw by:	Jenny	KLS P/N: L-KLS1-2.50-XX-VM
ANGLE TOLERANCE	Check by:		NingBo KLS ELECTRONIC CO.,L TD.
X. $\pm 5^{\circ}$	Date	2018-03-01	
.X $\pm 3^{\circ}$			
.XX $\pm 2^{\circ}$	SHEET	1 OF 1	



Packaging instructions:
 Pack the finished products into reels, each with 501 PCS.
 The product will be packed by pasting a certificate on the reel.
 The reel is put into the outer box, and the outer box is fitted with one first.
 Large PE bags with qualified certificates affixed on the outer case.

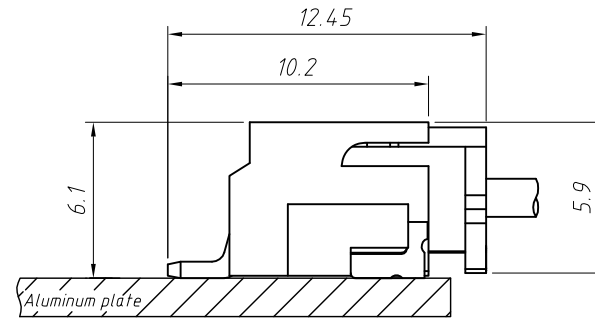
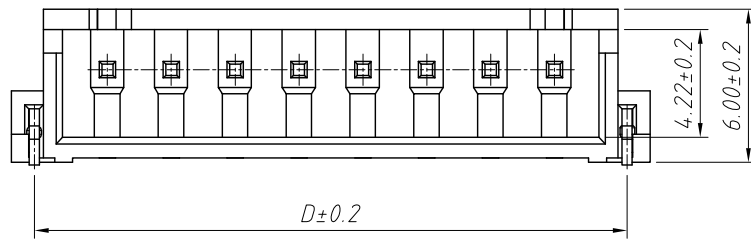
Circuits	DIM.D	DIM.E
02-04 PIN	--	24
05-06 PIN	28.4	32
07-10 PIN	40.4	44
14 PIN	52.4	56

GENERAL TOLERANCE	PROJECTION		Description:
.X ±0.30	UNITS	mm	Packaging Specification Ptich 2.50mm Vertical SMT
.X ±0.20	SCALE	1:1	
.XX ±0.10	Draw by:	Jenny	
ANGLE TOLERANCE	Check by:		KLS P/N: L-KLS1-2.50-XX-VM
.X ±5°	Date	2018-03-01	NingBo KLS ELECTRONIC CO.,L TD.
.X ±3°	SHEET	1 OF 1	
.XX ±2°			

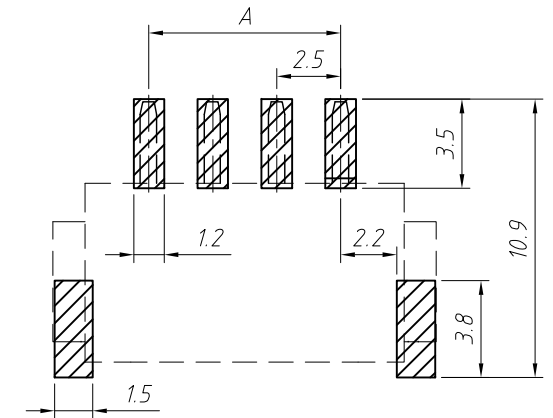


Material:
 Insulator: LCP UL 94V-0, Beige
 Contacts: Brass, Tin Plated
 Solder Tab: Brass, Tin Plated

Electrical Specification:
 Poles: 02 to 16
 Contact resistance: $\leq 20m\Omega$
 Insulation resistance: $\geq 1000M\Omega$
 Rated voltage: 250V AC DC
 Rated current: 3.0A AC DC
 Withstand Voltage: 1000V AC/minute
 Temperature Range: -25°C ~ +105°C



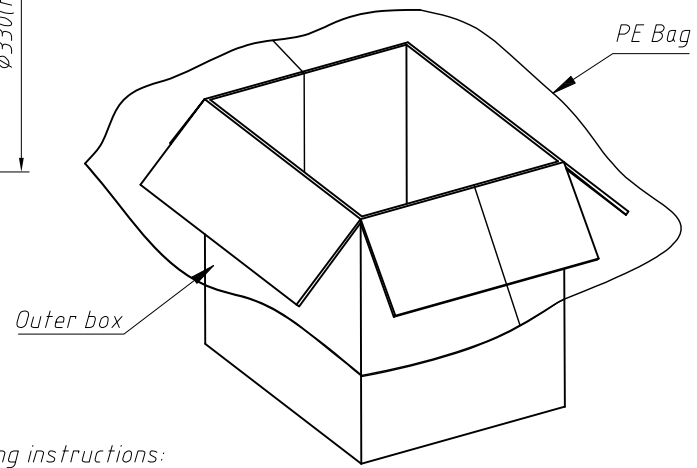
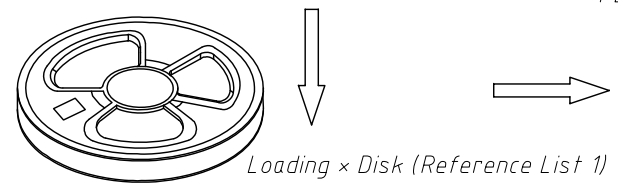
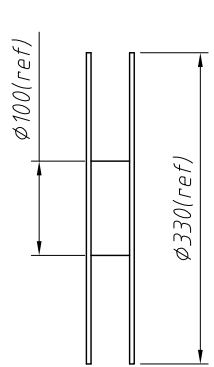
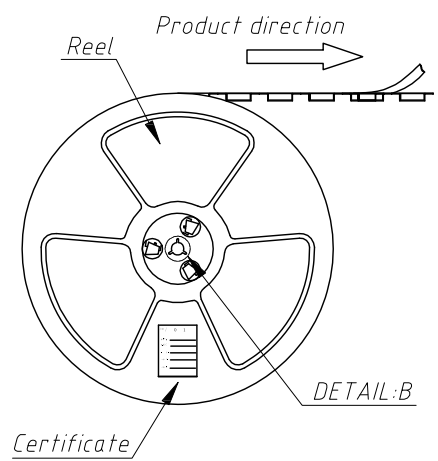
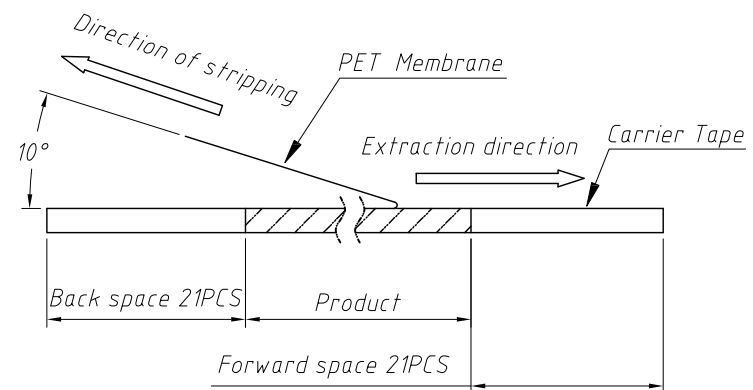
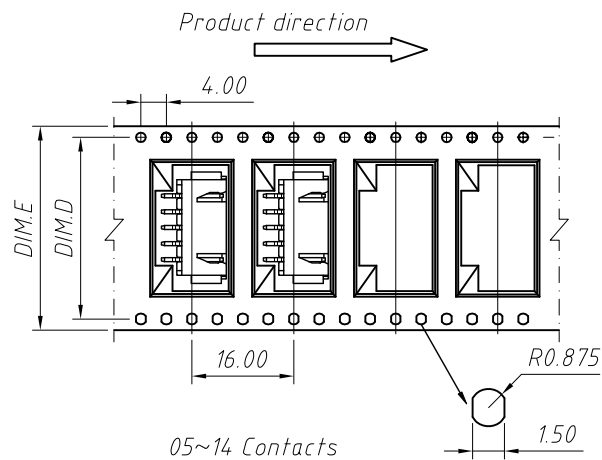
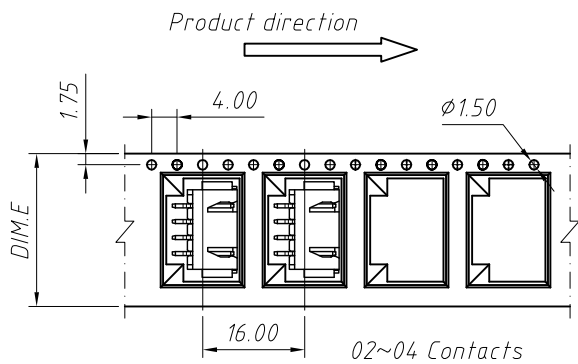
Assembly Layout



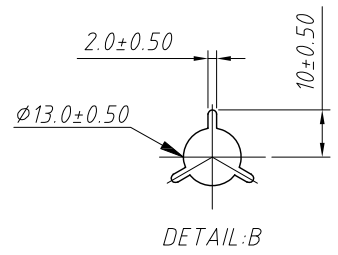
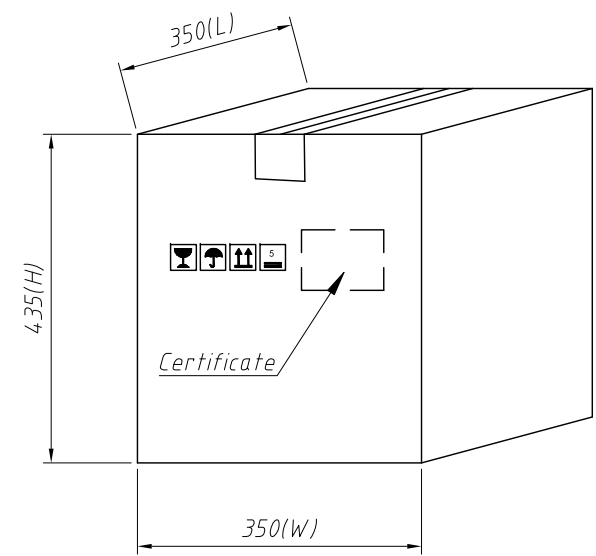
SUGGESTED PCB LAYOUT

Circuit	Dimensions(mm)				Circuit	Dimensions(mm)			
	A	B	C	D		A	B	C	D
02	2.50	7.50	10.00	8.20	10	22.50	27.50	30.00	28.20
03	5.00	10.00	12.50	10.70	11	25.00	30.00	32.50	30.70
04	7.50	12.50	15.00	13.20	12	27.50	32.50	35.00	33.20
05	10.00	15.00	17.50	15.70	13	30.00	35.00	37.50	35.70
06	12.50	17.50	20.00	18.20	14	32.50	37.50	40.00	38.20
07	15.00	20.00	22.50	20.70	15	35.00	40.00	42.50	40.70
08	14.50	22.50	25.00	23.20	16	37.50	42.50	45.00	43.20
09	20.00	25.00	27.50	25.70					

GENERAL TOLERANCE	PROJECTION		Description:
.X ±0.30	UNITS	mm	2.50mm Pitch JST XH Type Wire To Board Connector
.X ±0.20	SCALE	1:1	
.XX ±0.10	Draw by:	Jenny	
ANGLE TOLERANCE	Check by:		KLS P/N: L-KLS1-2.50-XX-RM
.X ±5°	Date	2018-03-01	NingBo KLS ELECTRONIC CO.,L TD.
.X ±3°	SHEET	1 OF 1	
.XX ±2°			



PET Membrane Schematic diagram of stripping



Packaging instructions:
 Pack the finished products into reels, each with 700 PCS.
 The product will be packed by pasting a certificate on the reel.
 The reel is put into the outer box, and the outer box is fitted with one first.
 Large PE bags with qualified certificates affixed on the outer case.

Circuits	DIM.D	DIM.E
02-04 PIN	--	24
05-06 PIN	28.4	32
07-10 PIN	40.4	44
11-14 PIN	52.4	56

GENERAL TOLERANCE	PROJECTION		Description:
.X ±0.30	UNITS	mm	Packaging Specification Ptich 2.50mm Horizontal SMT
.X ±0.20	SCALE	1:1	
.XX ±0.10	Draw by:	Jenny	KLS P/N: L-KLS1-2.50-XX-RM
ANGLE TOLERANCE	Check by:		NingBo KLS ELECTRONIC CO.,L TD.
.X ±5°	Date	2018-03-01	
.X ±3°	SHEET	1 OF 1	