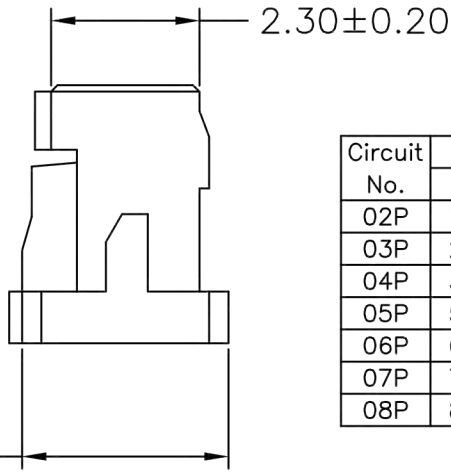
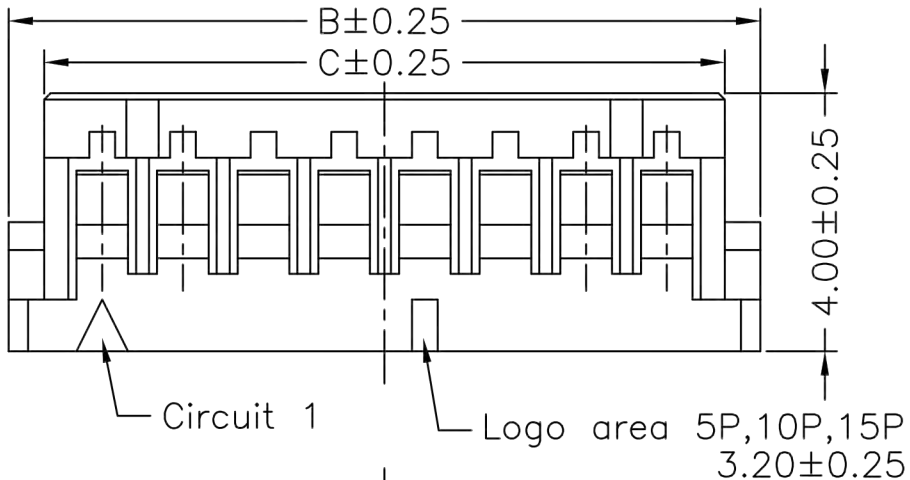
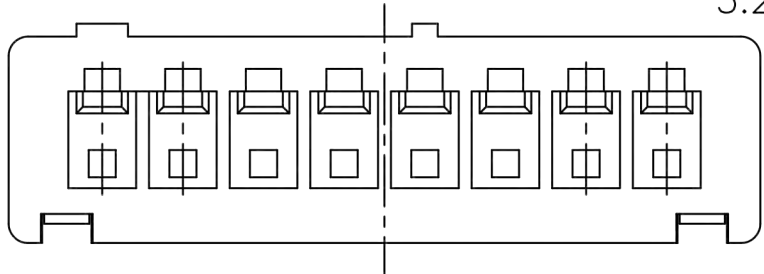


L-KLS1-XL4-1.25-1×XX-H
 RoHS
 Part NO
 Series No.
 Type:H=Housing
 Pin Number: 02 ~ 40Pin
 Pins:1=Single layer
 Pitch: 1.25=1.25mm

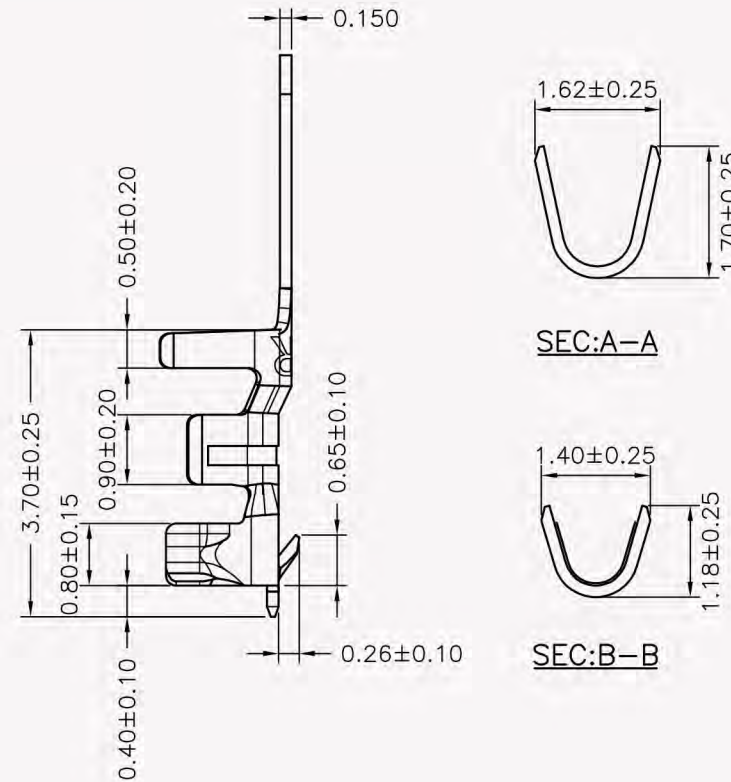
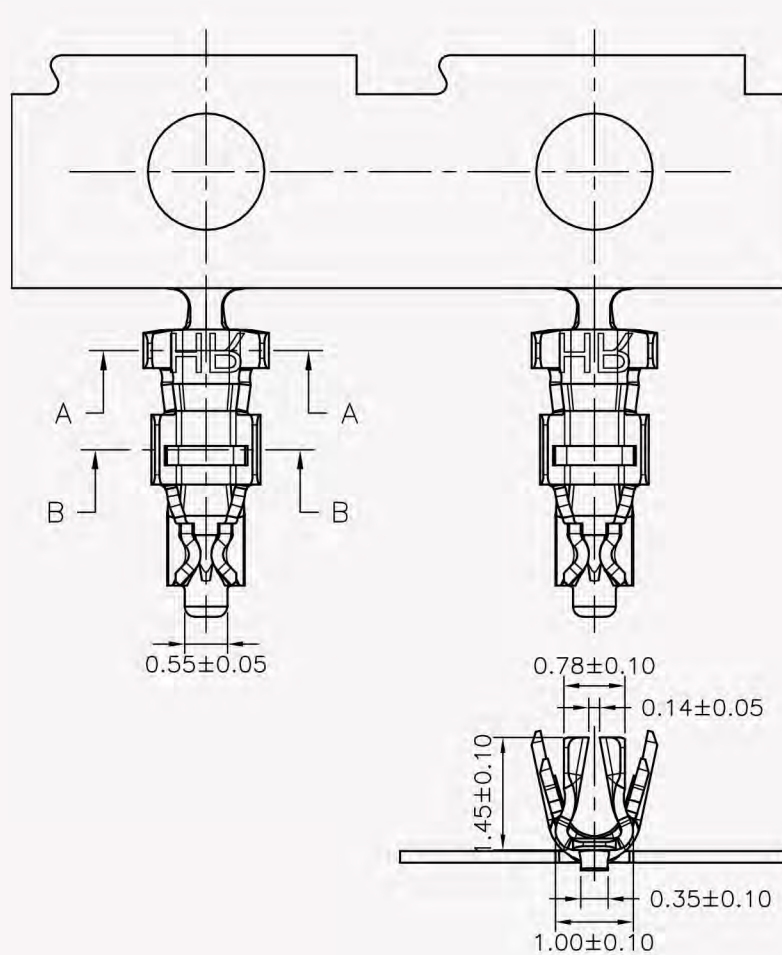
SPECIFICATIONS
 Current Rating: 1A AC,DC
 Voltage Rating: 150V AC,DC
 Temperature Range: -25°C ~ +85°C
 Contact Resistance: 30mΩ Max.
 Insulation Resistance: 500MΩ Min.
 Withstanding Voltage: 500V AC/minute
 Material: Nylon 66,UL94V-0



Circuit No.	Dimensions			Circuit No.	Dimensions		
	A	B	C		A	B	C
02P	1.25	4.15	3.05	09P	10.00	12.90	11.80
03P	2.50	5.40	4.30	10P	11.25	14.15	13.05
04P	3.75	6.65	5.55	11P	12.50	15.40	14.30
05P	5.00	7.90	6.80	12P	13.75	16.65	15.55
06P	6.25	9.15	8.05	13P	15.00	17.90	16.80
07P	7.50	10.40	9.30	14P	16.25	19.15	18.05
08P	8.75	11.65	10.55	15P	17.50	20.40	19.30



				KLS NINGBO KLS ELECTRONIC CO.LTD				
		UNIT	SCALE	SHEET		TITLE:		
		mm	1 : 1	1 of 1		1.25mm PITCH SINGLE ROW HOUSING		
		DRAWN BY	APPROVED BY		DRAW NO. : KLS1-XL4-1.25			
		劉建芳	陳彥兆					REV. A1
		GENERAL TOLERANCE						
A1	EN1607210002	2016.07.21	Emily	X. X±0.25	ANGLE±			
A0	NEW RELEASE	2015.09.21	劉建芳	X. XX±0.15	⌀			
REV.	DESCRIPTION	DATE	NAME	X. XXX±0.05				



L-KLS1-XL4-1.25-T

RoHS
Part NO
Series No.

Type:T=Termina
Pitch: 1.25=1.25mm

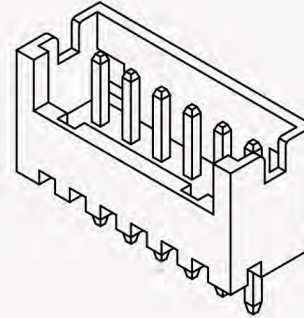
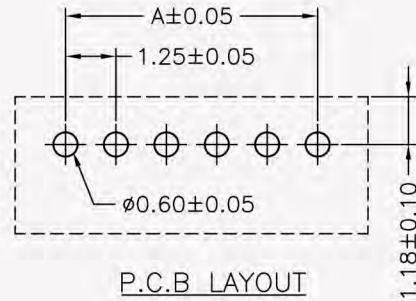
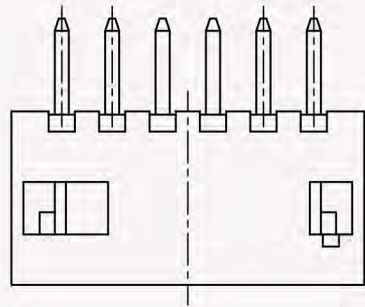
Ordering Information & Specifications

Part No	Wire Range	Insulation O.D.	Material	Finish	Qty/reel
XL4-1.25-TP	AWG#26-#30	1.00mm(max)	Phosphor Bronze	Tin-plated	10,000pcs
XL4-1.25-TG	AWG#26-#30	1.00mm(max)	Phosphor Bronze	Gold-flash	10,000pcs

Note:E-Stamping before Tin-plated or Gold-flash

			NINGBO KLS ELECTRONIC CO.LTD		
			UNIT	SCALE	SHEET
			mm		1 of 1
			DRAWN BY	APPROVED BY	
			朱恒秀	謝瑞清	
			2008.09.03	2008.09.03	
			GENERAL TOLERANCE		
			X. X±0.25	ANGLE±	
A0	NEW RELEASE	2008.09.03	X. XX±0.15	DRAW NO. : KLS1-XL4-1.25	
REV.	DESCRIPTION	DATE	X. XXX±0.05		

1.25mm PITCH
CRIMP TERMINAL



L-KLS1-XL4-1.25-1×XX-S

RoHS

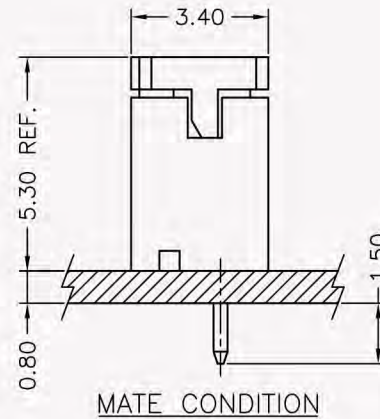
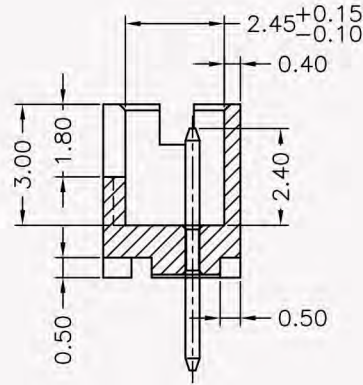
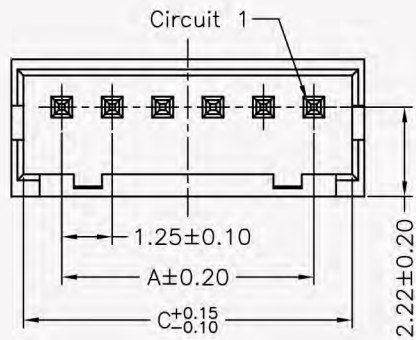
Part NO

Series No.

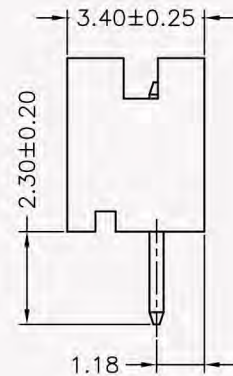
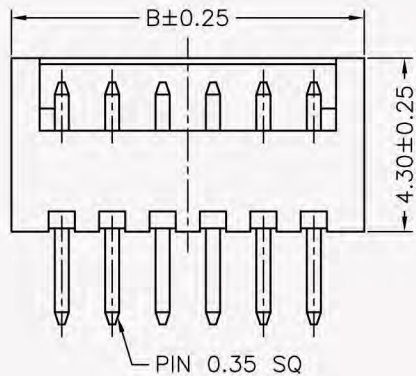
S= Straight male pin
Pin Number: 02 ~ 40Pin
Pins: 1=Single layer
Pitch: 1.25=1.25mm

SPECIFICATIONS

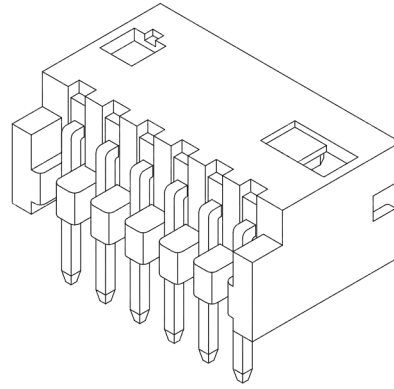
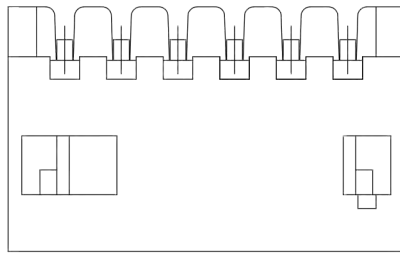
Current Rating: 1A AC,DC
Voltage Rating: 150V AC,DC
Temperature Range: -25°C ~ +85°C
Contact Resistance: 30mΩ Max.
Insulation Resistance: 500MΩ Min.
Withstanding Voltage: 500V AC/minute
Pin Material: Brass/Tin-plated
Material: Nylon 66,UL94V-0
Pantone Color: 7529C~7530C



Circuit No.	Dimensions		
	A	B	C
02P	1.25	3.75	3.15
03P	2.50	5.00	4.40
04P	3.75	6.25	5.65
05P	5.00	7.50	6.90
06P	6.25	8.75	8.15
07P	7.50	10.00	9.40
08P	8.75	11.25	10.65
09P	10.00	12.50	11.90
10P	11.25	13.75	13.15
11P	12.50	15.50	14.40
12P	13.75	16.25	15.65
13P	15.00	17.50	16.90
14P	16.25	18.75	18.15
15P	17.50	20.00	19.40



				KLS NINGBO KLS ELECTRONIC CO.LTD				
	UNIT	SCALE	SHEET	TITLE:				
	mm	1 : 1	1 of 1	1.25mm PITCH 180° SINGLE ROW WAFER				
	DRAWN BY	APPROVED BY					DRAW NO.:	
	陳錦展	董正一					KLS1-XL4-1.25	
	2011.05.26	2011.05.26		REV. A0				
GENERAL TOLERANCE								
	X. X±0.25	ANGLE±						
A0	NEW RELEASE	2011.05.26	陳錦展					
REV.	DESCRIPTION	DATE	NAME					
			X. XX±0.15					
			X. XXX±0.05					



L-KLS1-XL4-1.25-1×XX-R

RoHS

Part NO

Series No.

R= Right angle male pin

Pin Number: 02 ~ 40Pin

Pins:1=Single layer

Pitch: 1.25=1.25mm

SPECIFICATIONS

Current Rating: 1A AC,DC

Voltage Rating: 150V AC,DC

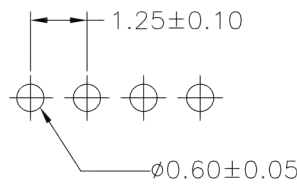
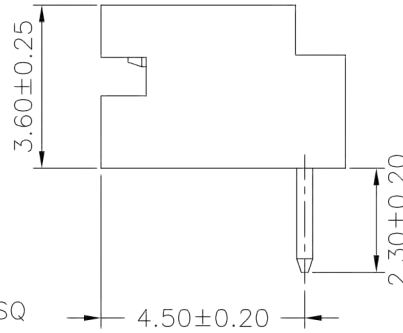
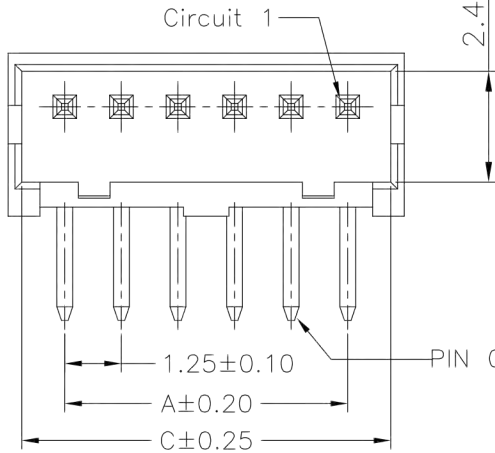
Temperature Range: -25°C ~ +85°C

Contact Resistance: 30mΩ Max.

Insulation Resistance: 500MΩ Min.

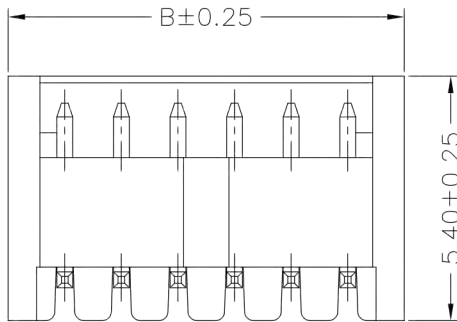
Withstanding Voltage: 500V AC/minute

Pin Material: Brass

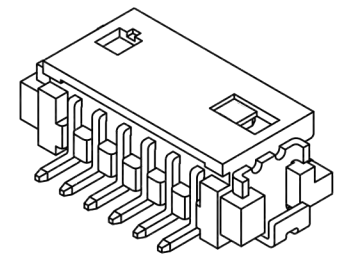
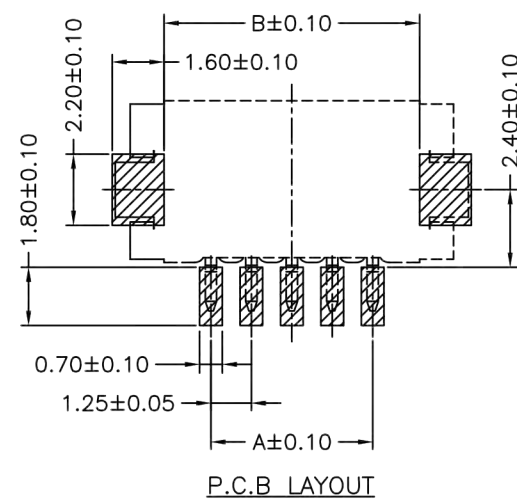
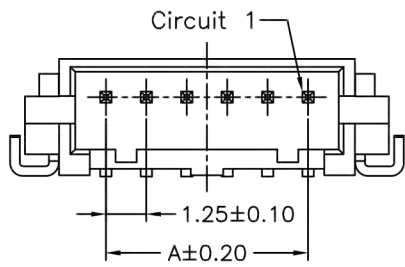
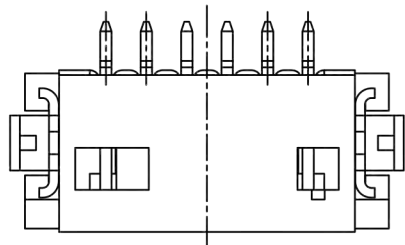


P.C.B LAYOUT

Circuit No.	Dimensions		
	A	B	C
02P	1.25	3.75	3.15
03P	2.50	5.00	4.40
04P	3.75	6.25	5.65
05P	5.00	7.50	6.90
06P	6.25	8.75	8.15
07P	7.50	10.00	9.40
08P	8.75	11.25	10.65
09P	10.00	12.50	11.90
10P	11.25	13.75	13.15
11P	12.50	15.00	14.40
12P	13.75	16.25	15.65
13P	15.00	17.50	16.90
14P	16.25	18.75	18.15
15P	17.50	20.00	19.40



							NINGBO KLS ELECTRONIC CO.LTD	
				UNIT	SCALE	SHEET	TITLE:	
				mm	1 : 1	1 of 1		
				DRAWN BY	APPROVED BY		1.25mm PITCH 90° SINGLE ROW WAFER	
				劉建芳	謝瑞清			
				2016.06.06	2016.06.06			
				GENERAL TOLERANCE				
A1	ECN1607210001	2016.07.21	Emily	X.X±0.25	ANGLE±		DRAW NO. : KLS1-XL4-1.25	
A0	NEW RELEASE	2016.06.06	劉建芳	X.XX±0.15				
REV.	DESCRIPTION	DATE	NAME	X.XXX±0.05				
							REV. A1	

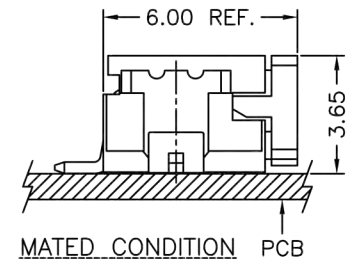
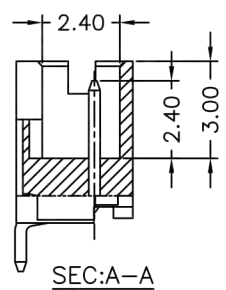
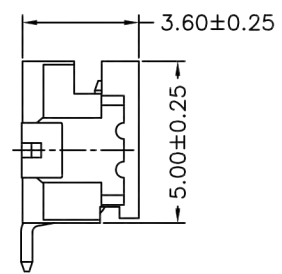
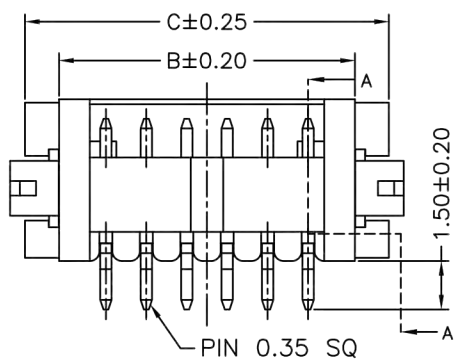


L-KLS1-XL4-1.25-1×XX-RM

RoHS _____ Type:RM=Horizontal SMT
 Part NO _____ Pin Number: 02~40Pin
 Series No. _____ Pins:1=Single layer
 Pitch: 1.25=1.25mm

SPECIFICATIONS
 Current Rating: 1A AC,DC
 Voltage Rating: 150V AC,DC
 Temperature Range: -25°C ~ +85°C
 Contact Resistance: 30mΩ Max.
 Insulation Resistance: 500MΩ Min.
 Withstanding Voltage: 500V AC/minute
 Pin Material: Brass/Gold-flash
 Solder Tabs: Phosphor Bronze/Gold-flash
 Material: Nylon 6T,UL94V-0
 Color: Natural(Beige)

Circuit No.	Dimensions		
	A	B	C
02P	1.25	4.15	6.25
03P	2.50	5.40	7.50
04P	3.75	6.65	8.75
05P	5.00	7.90	10.00
06P	6.25	9.15	11.25
07P	7.50	10.40	12.50
08P	8.75	11.65	13.75
09P	10.00	12.90	15.00
10P	11.25	14.15	16.25
11P	12.50	15.40	17.50
12P	13.75	16.65	18.75
13P	15.00	17.90	20.00
14P	16.25	19.15	21.25
15P	17.50	20.40	22.50



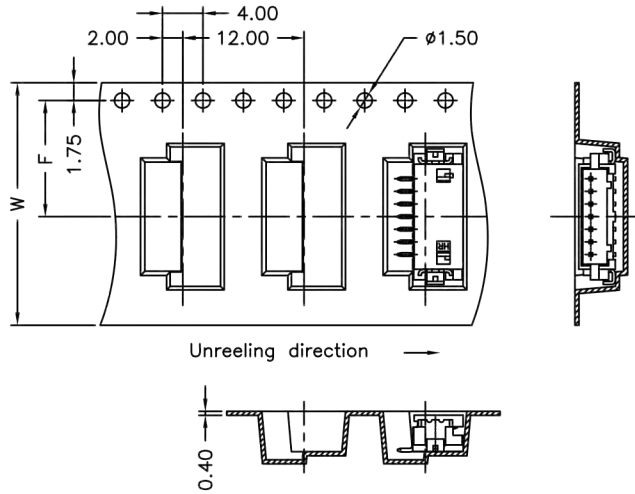
				UNIT	SCALE	SHEET
				mm	1 : 1	1 of 2
				DRAWN BY	APPROVED BY	
				歐陽小強	董正一	
				2007.01.05	2007.01.05	
GENERAL TOLERANCE						
				X. X±0.25	ANGLE±	
				X. XX±0.15		
				X. XXX±0.05		
A1	EN1202060018	2012.02.06	陳錦展			
REV.	DESCRIPTION	DATE	NAME			

TITLE:
1.25mm PITCH
90° SINGLE ROW WAFER-
SMT TYPE, W/O BOSS

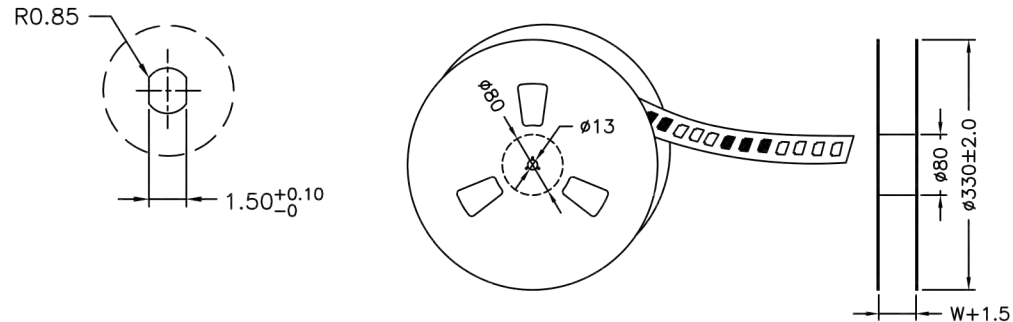
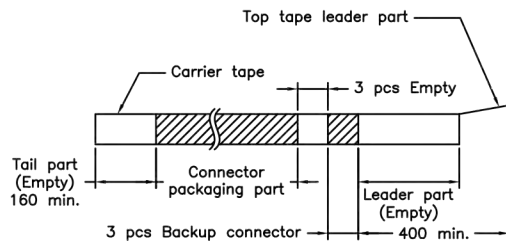
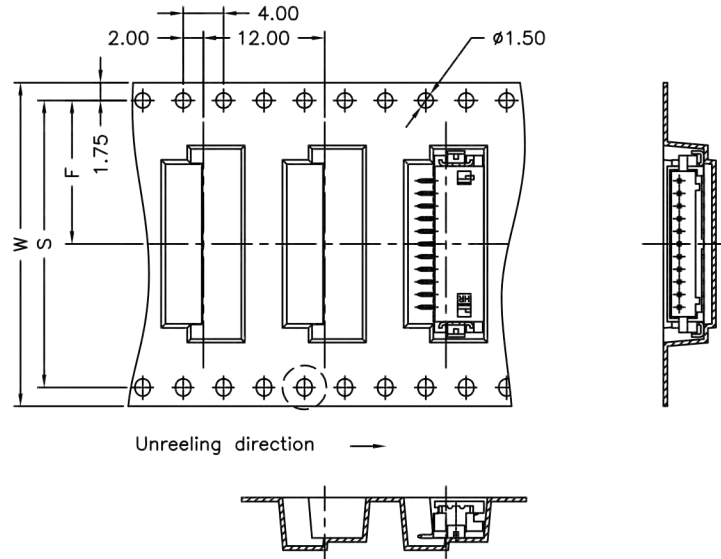
DRAW NO. : _____

REV. A1

02~08 Contacts



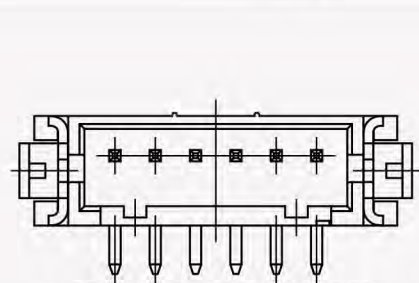
09~15 Contacts



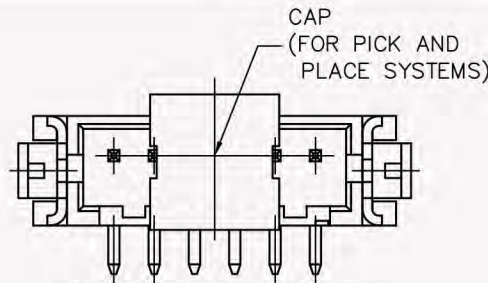
Number of Contacts	W±0.3	F±0.1	S±0.1	Q'ty/Reel
02P	16	7.50	/	1,000
03P	16	7.50		1,000
04P	24	11.50		1,000
05P	24	11.50		1,000
06P	24	11.50		1,000
07P	24	11.50		1,000
08P	24	11.50		1,000
09P	32	14.20		28.40
10P	32	14.20	28.40	1,000
11P	32	14.20	28.40	1,000
12P	32	14.20	28.40	1,000
13P	32	14.20	28.40	1,000
14P	44	20.20	40.40	1,000
15P	44	20.20	40.40	1,000

NOTE:
Material: Transparent
Anti-static Polystyrene.

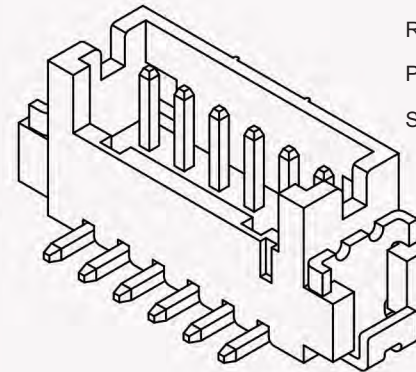
				KLS NINGBO KLS ELECTRONIC CO.LTD		
		UNIT	SCALE	SHEET		TITLE: 1.25mm PITCH 90° SINGLE ROW WAFER- SMT TYPE, W/O BOSS TAPING SPEC.
		mm	1 : 1	2 of 2		
		DRAWN BY		APPROVED BY		
		歐陽小強		董正一		
		2007.01.05		2007.01.05		
GENERAL TOLERANCE						DRAW NO. : KLS1-XL4-1.25
		X. X±0.25	ANGLE±		REV. A1	
A1	EN1202060018	2012.02.06	陳錦展			
REV.	DESCRIPTION	DATE	NAME	X. XX±0.15	X. XXX±0.05	



A1252WV-S-XPRXXXXX00R



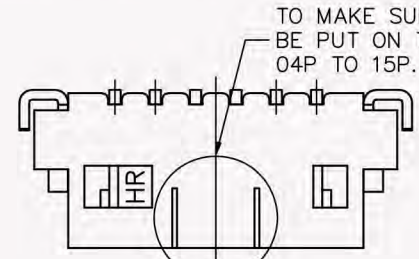
A1252WV-S-XPRXXXXX00L



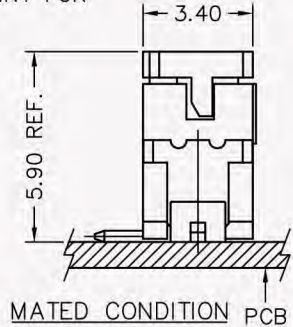
L-KLS1-XL4-1.25-1×XX-VM
 RoHS
 Part NO
 Series No.
 Type: VM=Vertical SMT
 Pin Number: 02~40Pin
 Pins: 1=Single layer
 Pitch: 1.25=1.25mm

SPECIFICATIONS
 Current Rating: 1A AC,DC
 Voltage Rating: 150V AC,DC
 Temperature Range: -25°C ~ +85°C
 Contact Resistance: 30mΩ Max.
 Insulation Resistance: 500MΩ Min.
 Withstanding Voltage: 500V AC/minute
 Pin Material: Brass
 Solder Tabs: Phosphor Broze
 Wafer: Nylon 6T,UL94V-0
 Cap: Nylon 6T,UL94V-0

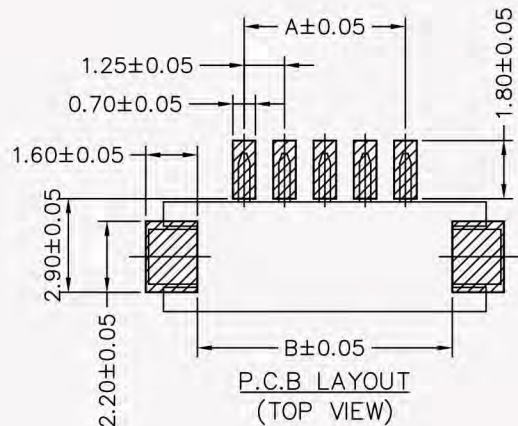
Circuit No.	Dimensions				
	A	B	C	D	E
02P	1.25	4.15	6.25	3.15	---
03P	2.50	5.40	7.50	4.40	1.25
04P	3.75	6.65	8.75	5.65	2.50
05P	5.00	7.90	10.00	6.90	3.75
06P	6.25	9.15	11.25	8.15	5.00
07P	7.50	10.40	12.50	9.40	6.25
08P	8.75	11.65	13.75	10.65	7.50
09P	10.00	12.90	15.00	11.90	8.75
10P	11.25	14.15	16.25	13.15	10.00
11P	12.50	15.40	17.50	14.40	11.25
12P	13.75	16.65	18.75	15.65	12.50
13P	15.00	17.90	20.00	16.90	13.75
14P	16.25	19.15	21.25	18.15	15.00
15P	17.50	20.40	22.50	19.40	16.25



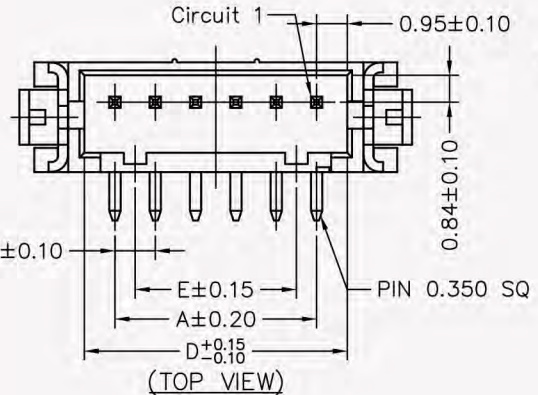
TO MAKE SURE THE CAP CAN BE PUT ON THE MIDPOINT FOR 04P TO 15P.



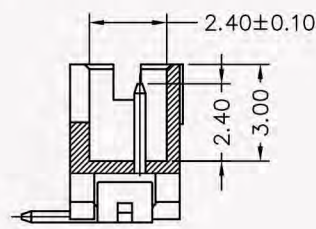
MATED CONDITION PCB



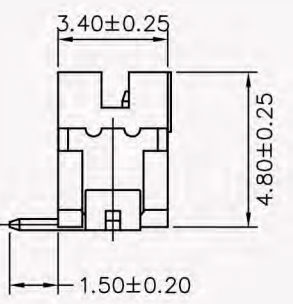
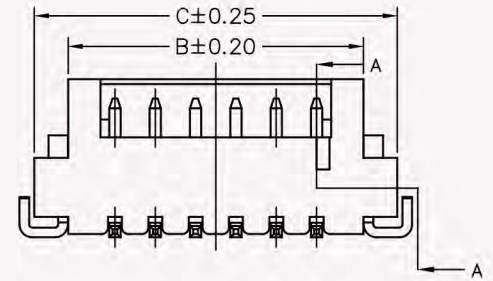
P.C.B LAYOUT (TOP VIEW)



(TOP VIEW)

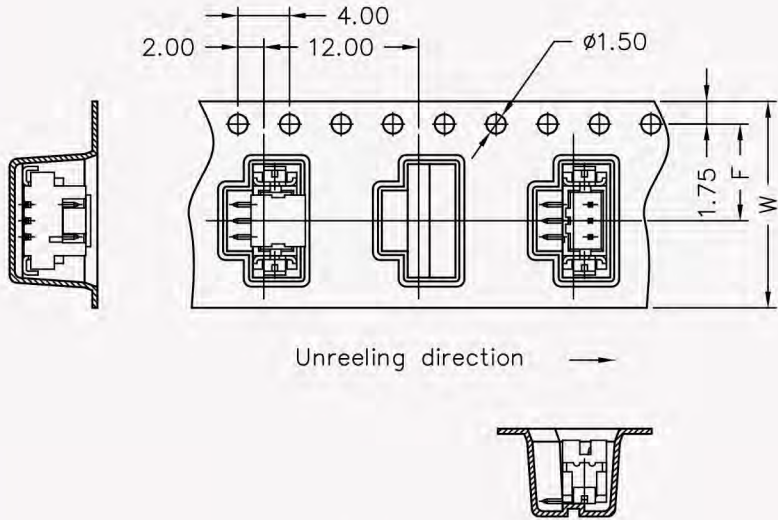


SEC: A-A

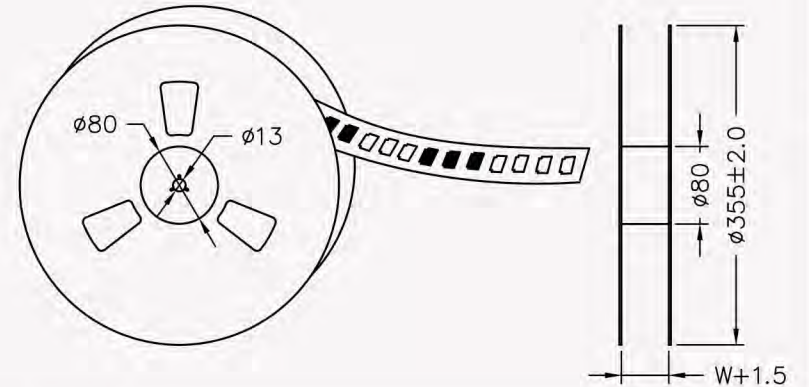
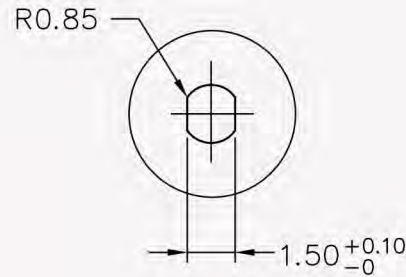
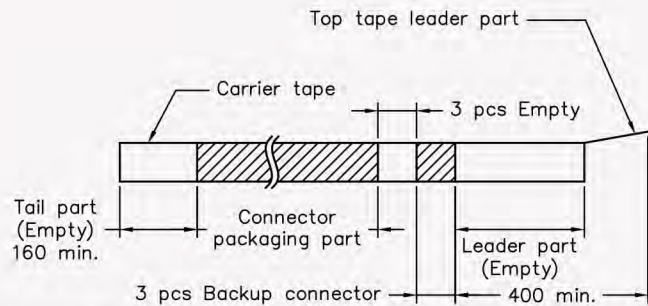
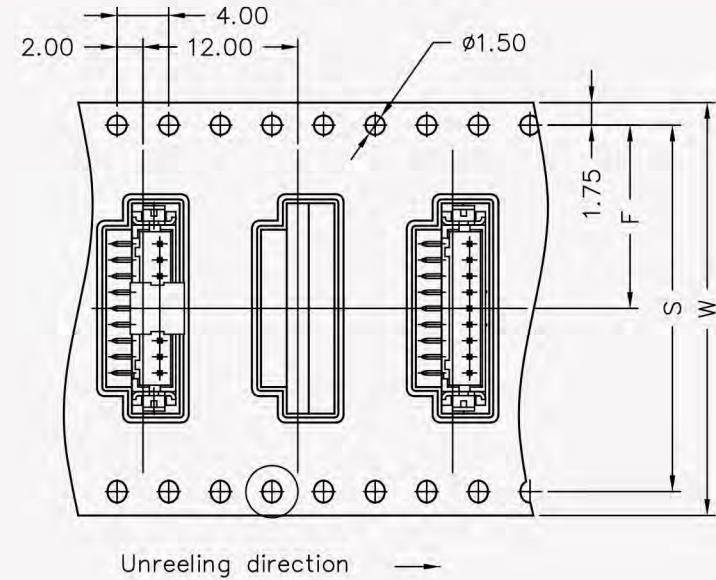


				KLS 1252WV		NINGBO KLS ELECTRONIC CO.LTD	
		UNIT	SCALE	SHEET		TITLE: 1.25mm PITCH 180° SINGLE ROW WAFER- SMT TYPE, W/O BOSS	
		mm	1 : 1	1 of 2			
		DRAWN BY		APPROVED BY			
		劉建芳 2016.10.28		謝瑞清 2016.10.28			
		GENERAL TOLERANCE					
A1	EN1809070001	2018.09.11	徐富永	X.X±0.25	ANGLE± 		
A0	NEW RELEASE	2016.10.28	劉建芳	X.XX±0.15			
REV.	DESCRIPTION	DATE	NAME	X.XXX±0.05			
				DRAW NO. :		KLS1-XL4-1.25	
						REV. AI	

02~08 Contacts



09~15 Contacts



Number of Contacts	W±0.3	F±0.1	S±0.1	Q'ty/Reel
02P	16	7.50		1,000
03P	16	7.50		1,000
04P	24	11.50		1,000
05P	24	11.50		1,000
06P	24	11.50		1,000
07P	24	11.50		1,000
08P	24	11.50		1,000
09P	32	14.20		28.40
10P	32	14.20	28.40	1,000
11P	32	14.20	28.40	1,000
12P	32	14.20	28.40	1,000
13P	44	20.20	40.40	1,000
14P	44	20.20	40.40	1,000
15P	44	20.20	40.40	1,000

NOTE:
Material: Transparent
Anti-static Polystyrene.

				KLS Microelectronics		NINGBO KLS ELECTRONIC CO.LTD	
				UNIT	SCALE	SHEET	TITLE:
				mm	1 : 1	2 of 2	1.25mm PITCH
				DRAWN BY		APPROVED BY	180° SINGLE ROW WAFER-
				劉建芳		謝瑞清	SMT TYPE, W/O BOSS
				2016.10.28		2016.10.28	TAPING SPEC.
				GENERAL TOLERANCE			
A1	EN1809070001	2018.09.11	徐富永	X.X±0.25	ANGLE±		DRAW NO. : KLS1-XL4-1.25
A0	NEW RELEASE	2016.10.28	劉建芳	X.XX±0.15			
REV.	DESCRIPTION	DATE	NAME	X.XXX±0.05			REV. AI