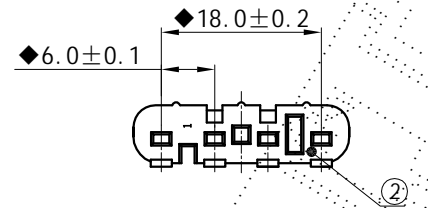
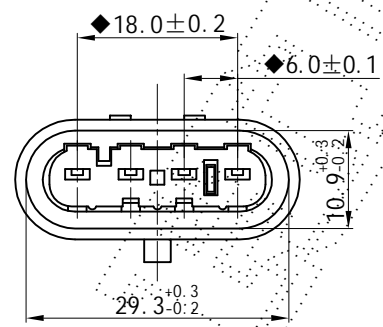
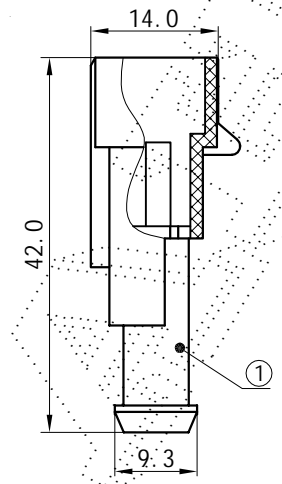
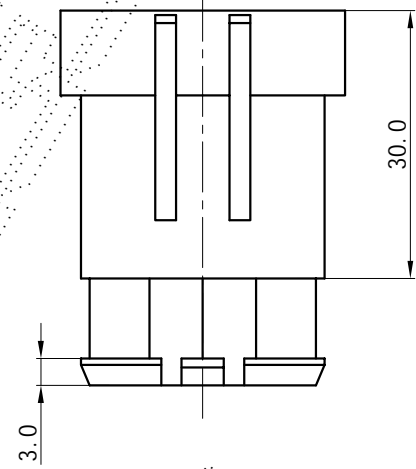
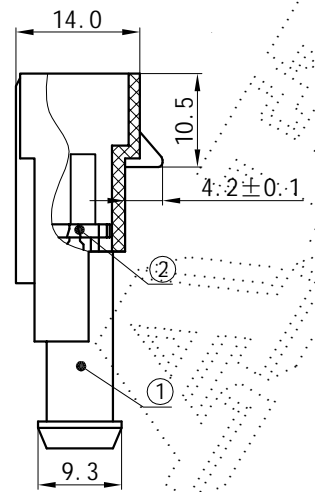
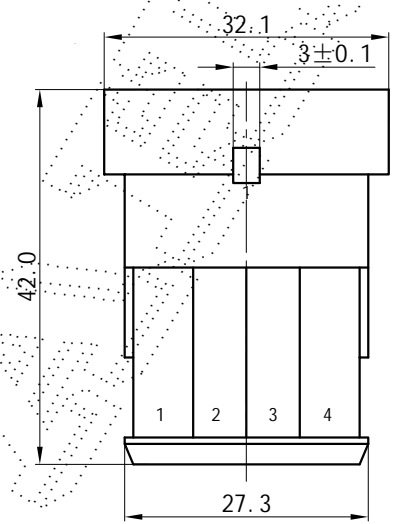


MARK	ECN	DESCRIPTION	DWN.	DATE

Don't assemble holder fig:



Technical requirements  
 1. Parts must not have burr and injection molding defects which affect usability  
 2. The surface is bright and clean, smooth, no waterlogging, etc  
 3. The "◆" is the important feature, "★" is the key features  
 4. Unmarked tolerance dimensions carry out according to the GB - T14486-2008 - MT6 level  
 5. The mating terminal is DJ611-1.5\*0.8  
 6. If assembly holder required for production on plan  
 7. Coordinate good with clip, is not easy to fall out when the card is first gear clamp, the second tranche can lock the card terminal

NO. TOLERANCES GB/T14486-2008-MT6			
DIM. RANGE	DIM. TOLERANCES	DIM. RANGE	DIM. TOLERANCES
0~3	±0.23	>18~24	±0.41
>3~6	±0.26	>24~30	±0.45
>6~10	±0.29	>30~40	±0.50
>10~14	±0.33	>40~50	±0.57
>14~18	±0.37	>50~65	±0.65

②	DJ7041-1.5-11-2	LOCK	PA66+GF	1	RED
①	DJ7041-1.5-11-1	HOUSING	PA66	1	BLACK
NO.	PART NO.	NAME	MATERIAL	QTY	COLOUR

COLOUR	SEE TABLE	乐清市奥海电气有限公司			
MATERIAL	PA66	Yueqing Aohai Electric Co., Ltd.			
NAME	4HOLE CONNECTOR	DRAWN BY	CONFIRMED BY	APPROVED BY	
PART NO.	DJ7041-1.5-11				
TYPE		REV.	1st PERSON VIEW	FREE	UNIT
ARTICLE NO.		1.0		1.5:1	mm
MOULD NO.:					PAGE
					1/1

A  
B  
C  
D  
E  
F

A  
B  
C  
D  
E  
F

1 2 3 4 5 6 7 8