

Single Port RJ45 Connector
with Integrated Magnetics and LED
100/1000Base-T Magnetics

北京金敏伟业电子科技发展有限公司 授权一级代理 电话: 010-62653053 QQ: 867634437
北京市海淀区中关村大街32号和盛大厦新中发1515-1516 4号10号地铁海淀黄庄站 东南口

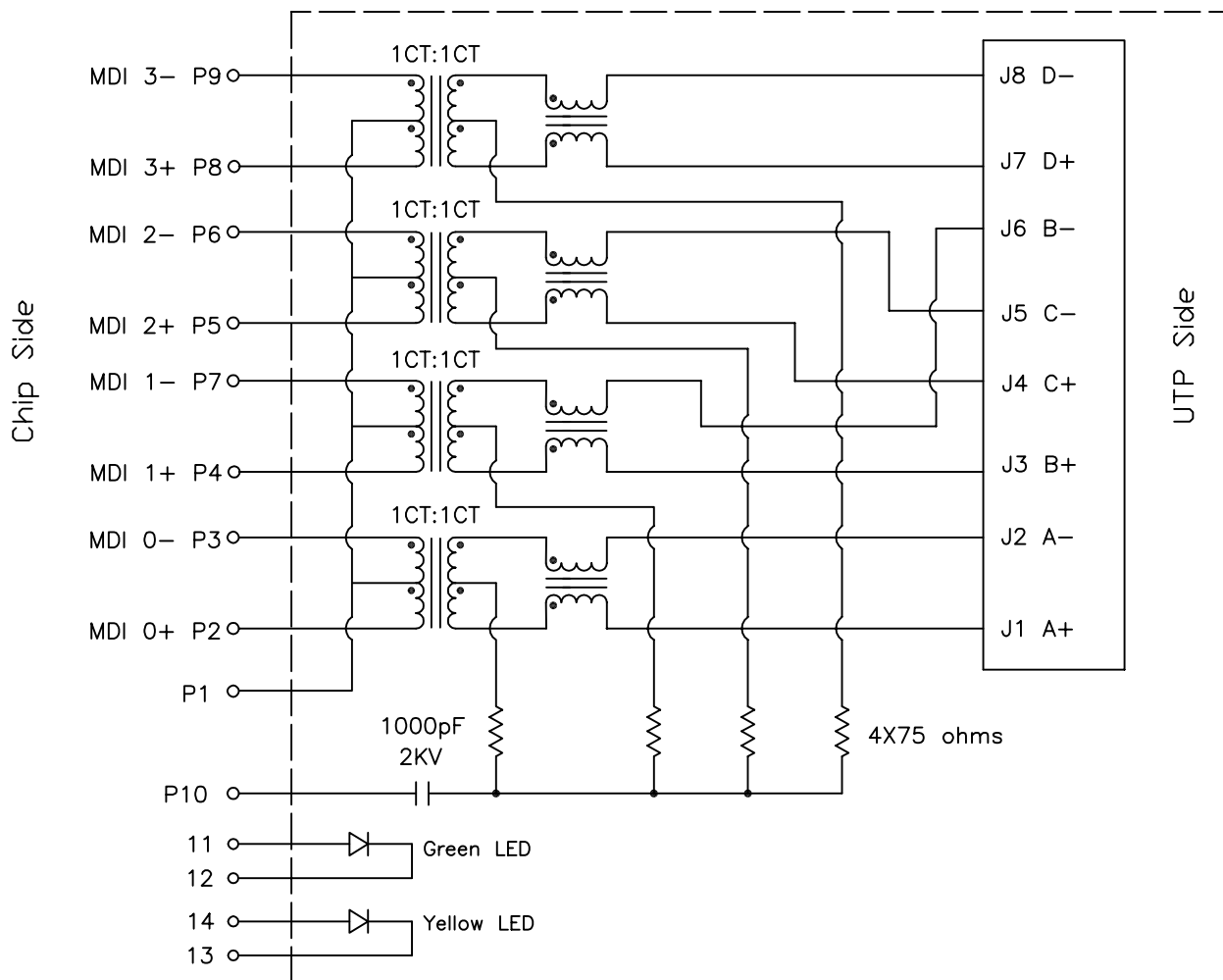
Part Number:

HR911130C

Electrical Specification @25°C

- Isolation: 1500Vrms (UTP Side to Chip Side)
- OCL: 350uH Minimum @100KHz 100mV with 8mADC
- Insertion Loss: -1.0dB Maximum @100KHz ~ 60MHz
- Insertion Loss: -1.1dB Maximum @60MHz ~ 100MHz
- Return Loss: -18dB Minimum @0.3MHz ~ 30MHz
 - 14dB Minimum @40MHz ~ 60MHz
 - 12dB Minimum @80MHz ~ 100MHz
- Common Mode Rejection: -40dB Minimum @1MHz ~ 60MHz
 - 35dB Minimum @60MHz ~ 100MHz
- Crosstalk: -35dB Minimum @1MHz ~ 10MHz
 - 26dB Minimum @15MHz ~ 60MHz
 - 24dB Minimum @60MHz ~ 100MHz

Schematics



Part No.: HR911130C	Unless otherwise specified, Tolerance: .xx ±0.25	Rev: A/1	DRWN:	Date:
Dimensions in mm		Page 1/2	APPD:	Date:

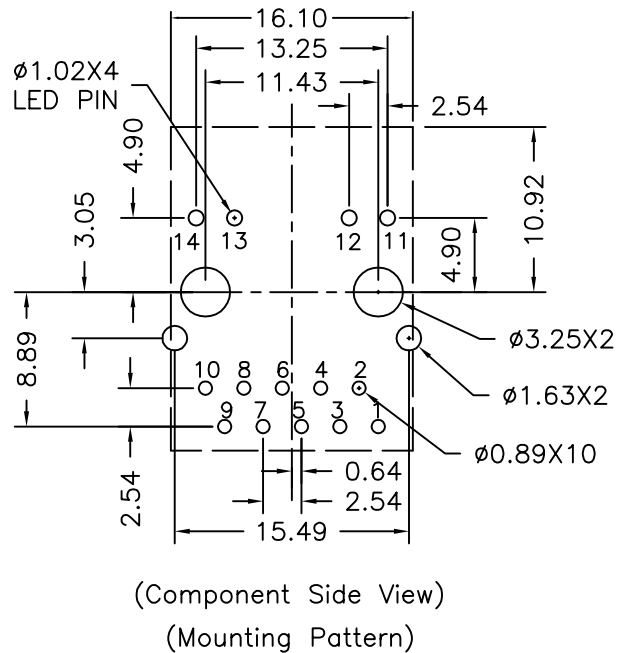
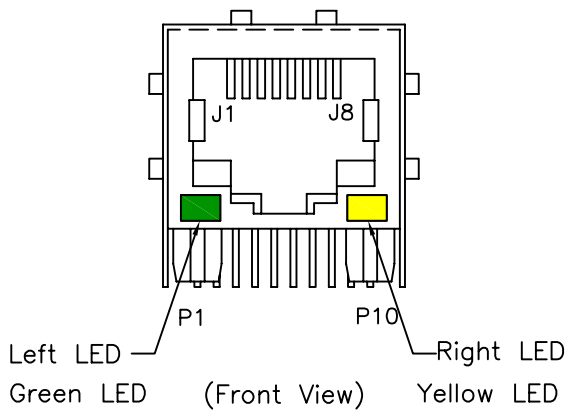
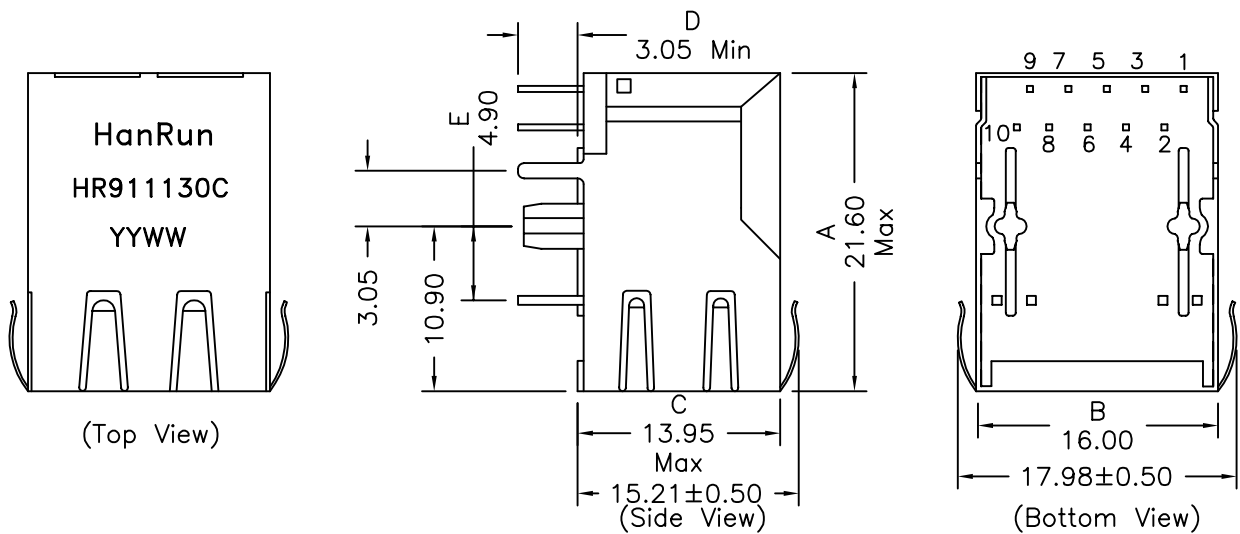
Single Port RJ45 Connector
with Integrated Magnetics

Part Number

HR911130C (Shield Type: C)

- Meets or Exceeds IEEE802.3 standards including 350uH Min OCL with 8mADC
- High performance for EMI suppression, Crosstalk, Return Loss and Consistent Electrical
- Minimum 1500Vrms isolation per IEEE802.3 requirement
- Minimize PCB space and Simplify PCB Layout
- Less magnetic components to be placed on PCB, higher reliability and yields

Mechanical Dimensions:



Standard LED	Wavelength	Forward V (Min/Max)	Forward A	Type
Green	568nm	1.8V/2.8V	20mA	squareness
Yellow	585nm	1.8V/2.8V	20mA	squareness

Part No.: HR911130C	Unless otherwise specified, Tolerance: .xx ±0.25	Rev: A/1	DRWN:	Date:
Dimensions in mm		Page 2/2	APPD:	Date: