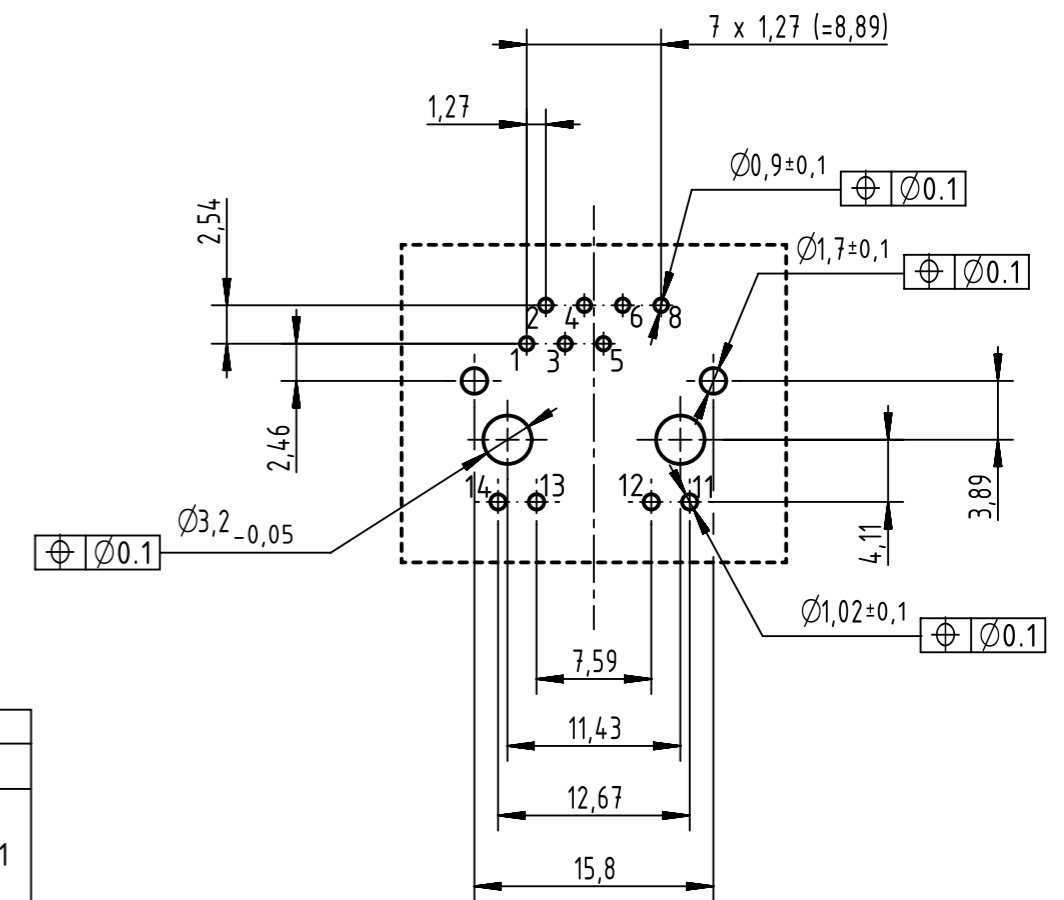
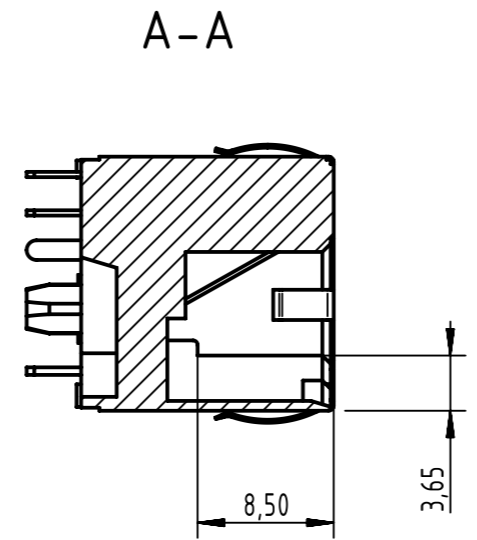
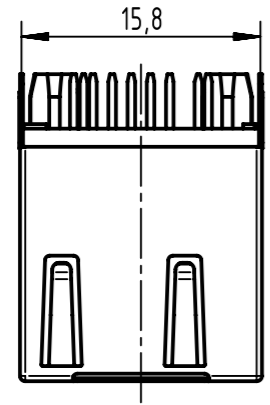
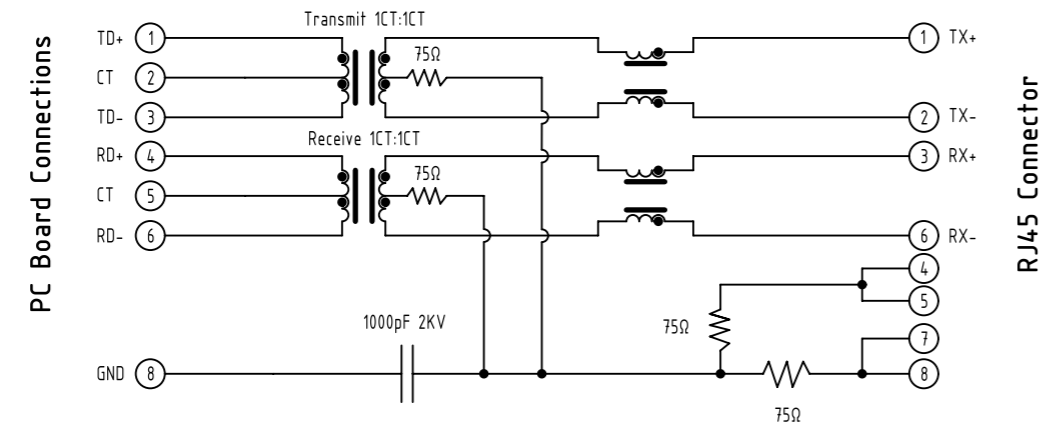


PC-Board layout
view component side
thickness up to 2,4 mm



SCHEMATIC



LED DISPLAY	
LED 2	LED 1
YELLOW	GREEN
14 → 13	12 → 11

	All Dimensions in mm Original Size DIN A3	Scale 2:1	Free size tol.	Ref.	
	All rights reserved Department EL PD	Created by FARCASIU	Inspected by POPESCU	Standardisation HOFFMANN	Date 2018-09-13
HARTING Electronics GmbH D-32339 Espelkamp		Title RJ45 jack 10/100Mbit vert. LED gn/ye		State Final Release	
		Type TB	Number 09455511142	Doc-Key / ECM-Nr. 100803310/UGD/000/B 500000139984	Rev. B
				Page 1/1	