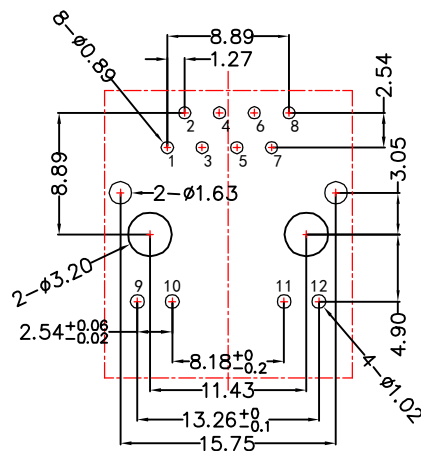
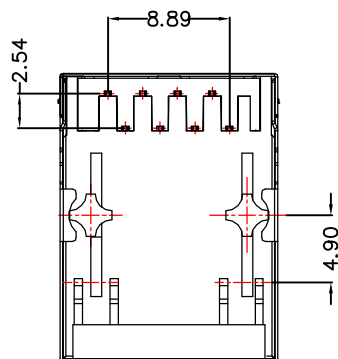
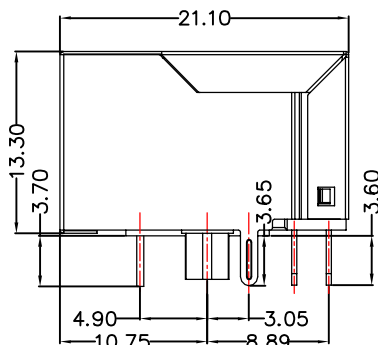
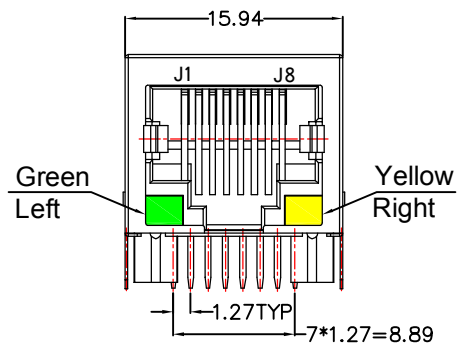


RoHS CONFORM

REV.	ECN / DESCRIPTION	BY	DATE



PCB LAYOUT

Material:

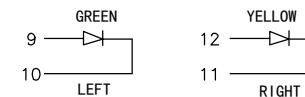
Housing :PBT+30%GF,UL94V-0,Black.
 Plastic bracket :PBT+30%GF,UL94V-0,Black.
 Shell: C2680R-H,T=0.20mm,Nickel plated on all area.
 Contact terminal:Phosphor bronze C5210R-EH,T=0.35mm,
 Gold plated 6u" on mating area.

Mechanical:

Durability :750 cycles Min.
 Mating force :22N Max.
 Operating temperature:-40°C~+85°C.
 Storage temperature: : -40°C~+85°C.

SpecificationLED

Standard LED Color	LED Wavelength	Foward(V MAX)	Typical(V TYP)	Luminous Intensity
Green	560-580nm	2.5v	2.1-2.2v	9-25 MCD
Yellow	580-610nm	2.5v	2.1-2.2v	9-30 MCD

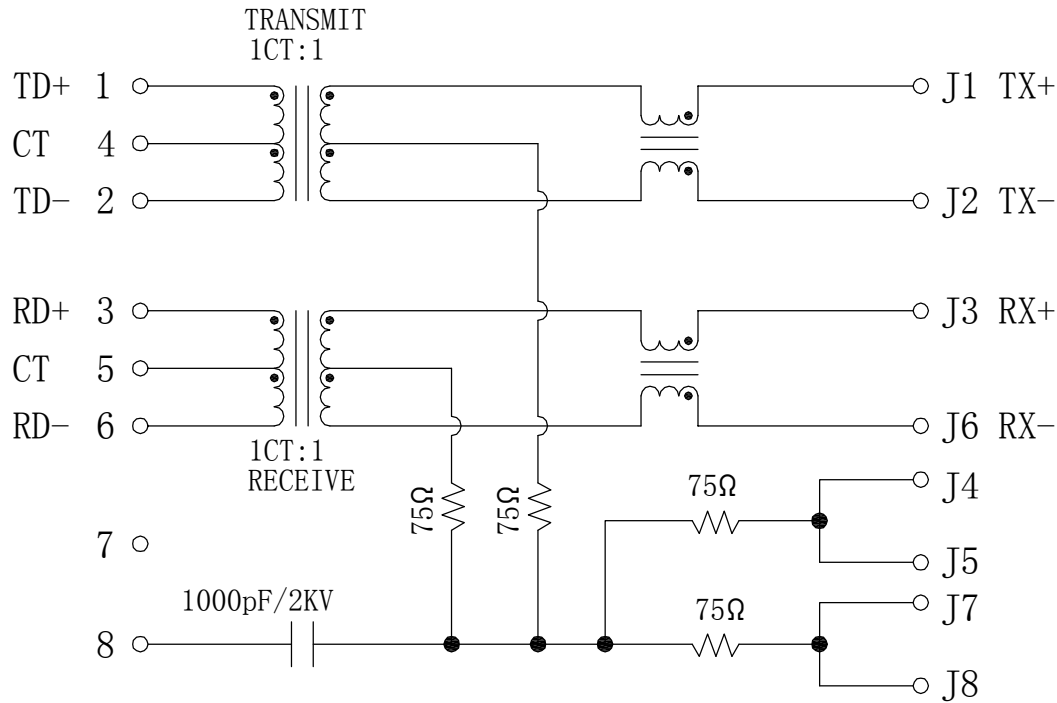


NINGBO KLS ELECTRONIC CO.,LTD

TITLE: TAB-DOWN 1X1 100BASE	SIZE A4	UNITS MM[INCH]	GENERAL TOLERANCES UNLESS SPECIFIED		APPROVED BY: JP.Gong	
	PART NO.: L-KLS12-TL082-G/Y-03	SACLE 1:1	REV A0	x±0.25 .x±0.20	x°±3.0° .x°±2.0°	CHECKED BY: Xu.TW
	DWG NO.:	SHEET 1/3		.xx±0.10 .xxx±0.05	.xx°±1.5° .xxx°±1.0°	DESIGND BY: Qu.mq

RoHS CONFORM

REV.	ECN / DESCRIPTION	BY	DATE



Electrical:

1. Voltage rating: 125V AC.
2. Insulation resistance: 500 megohms MIN @500VDC.
3. Contact resistance: 50 milliohms Max.
4. Turn Ratio: 1~2: J1~J2=1CT:1CT(±2%).
3~6: J3~J6=1CT:1CT(±2%).
5. OCL: 350uH Min. at 100KHz 100mV 8mA DC.
6. Insertion Loss: -1.0 dB Max 1MHz to 100MHz.
7. Return loss: -16dB Min From 1MHz to 30MHz;
-14dB Min From 30MHz to 60MHz;
-10dB Min From 60MHz to 80MHz.
8. Cross talk: -40dB Min From 1MHz-30MHz;
-35dB Min From 30MHz-60MHz;
-30dB Min From 60MHz-100MHz;
9. CMR: -35dB Min From 1MHz-100MHz;
10. Hi-Pot: 1500V AC 6S 1mA

NINGBO KLS ELECTRONIC CO.,LTD

TITLE:
TAB-DOWN 1X1 100BASE

SIZE
A4

UNITS
MM[INCH]

GENERAL TOLERANCES
UNLESS SPECIFIED

APPROVED BY:
JP.Gong

PART NO.:
L-KLS12-TL082-G/Y-03

SACLE
1:1

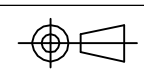
REV
A0

$x \pm 0.25$	$x^\circ \pm 3.0^\circ$
$.x \pm 0.20$	$.x^\circ \pm 2.0^\circ$

CHECKED BY:
Xu.TW

DWG NO.:

SHEET
2/3



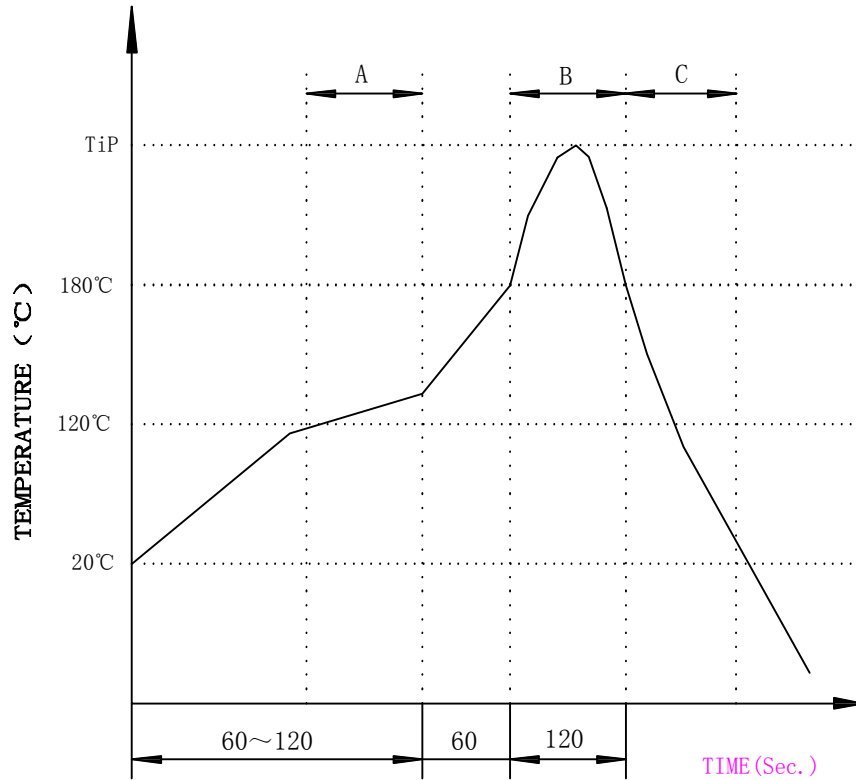
$.xx \pm 0.10$	$.xx^\circ \pm 1.5^\circ$
$.xxx \pm 0.05$	$.xxx^\circ \pm 1.0^\circ$

DESIGND BY:
Qu.mq

RoHS CONFORM

PROFILE OF WAVE SOLDER

REV.	ECN / DESCRIPTION	BY	DATE



A.Preheating B.Soldering C.Gradual Cooling
 Tip temperature:260±5°C.
 Tip temperature time:5Sec Max.
 Tip melting point of Sn96.5/Ag3/Cu0.5:217°C.

After the wave solder, the plastic column of product under the pcb will have a slight plastic melting situation .

NINGBO KLS ELECTRONIC CO.,LTD

TITLE: TAB-DOWN 1X1 100BASE	SIZE A4	UNITS MM[INCH]	GENERAL TOLERANCES UNLESS SPECIFIED		APPROVED BY: JP.Gong	
	PART NO.: L-KLS12-TL082-G/Y-03	SACLE 1:1	REV A0	x±0.25	x°±3.0°	CHECKED BY: Xu.TW
				.x±0.20	.x°±2.0°	
DWG NO.:	SHEET 3/3		.xx±0.10	.xx°±1.5°	DESIGND BY: Qu.mq	
			.xxx±0.05	.xxx°±1.0°		