

1x1 Port Tab-UP RJ45 Connector
with Integrated Magnetics and LED
for 10/100/1000Base-TX Applications

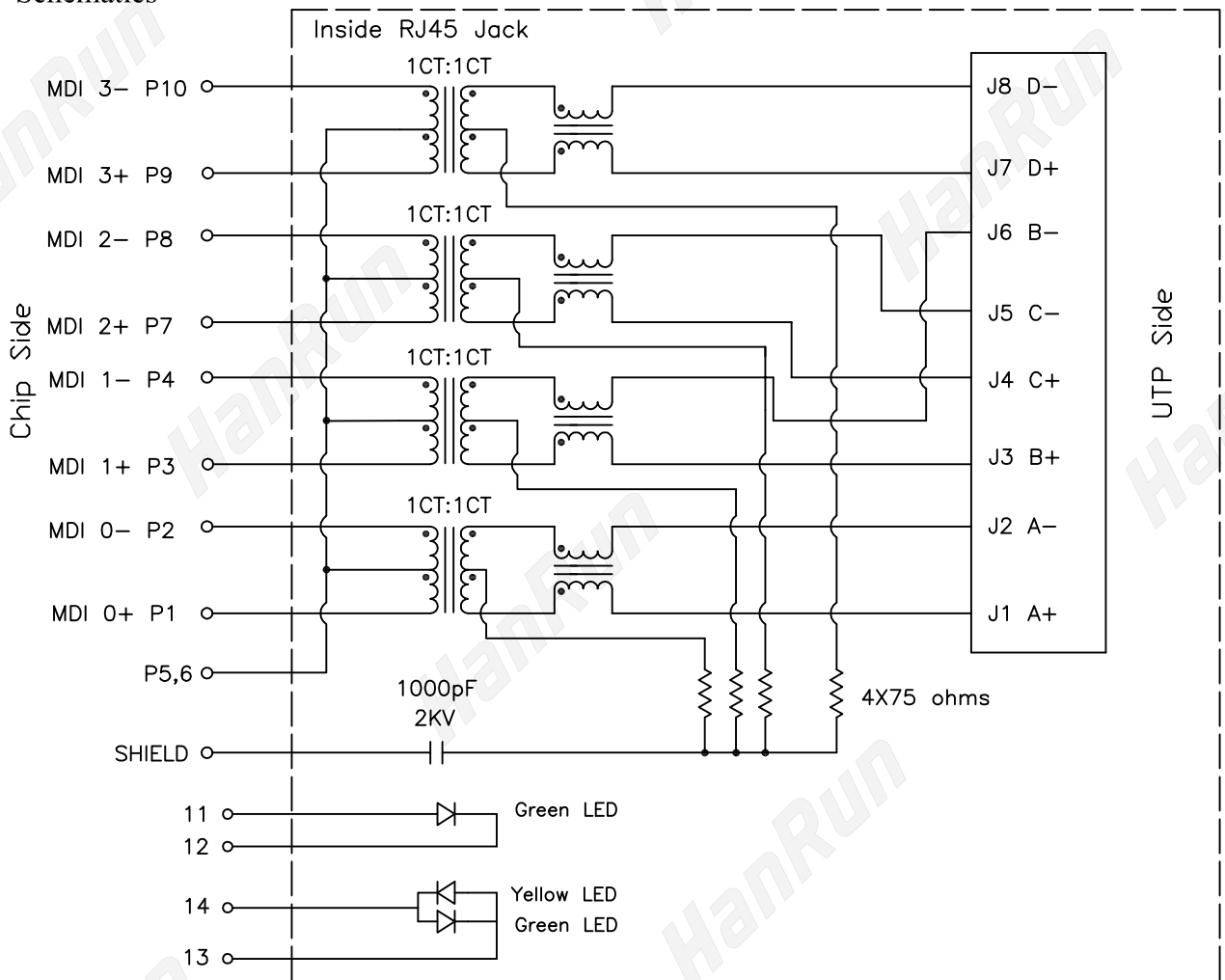


HY971161C

Electrical Specification @25°C

- RoHS Compliant (PB Free)
- Isolation: 1500Vrms (UTP Side to Chip Side)
- OCL: 350uH Minimum @100KHz 100mV with 8mA DC
- Insertion Loss: -1.0dB Maximum @100KHz ~ 60MHz / -1.1dB Maximum @60MHz ~ 100MHz
- Return Loss: -18dB Minimum @0.3MHz ~ 30MHz / -14dB Minimum @40MHz ~ 60MHz
-12dB Minimum @80MHz ~ 100MHz
- Common Mode Rejection: -40dB Minimum @1MHz ~ 60MHz
-35dB Minimum @60MHz ~ 100MHz
- Crosstalk: -35dB Minimum @1MHz ~ 10MHz / -26dB Minimum @15MHz ~ 60MHz
-24dB Minimum @60MHz ~ 100MHz

Schematics



REV.A (2008/10/28)

1 of 2

北京金敏伟业电子科技发展有限公司 授权一级代理 电话: 010-62653053 QQ: 867634437
北京市海淀区中关村大街32号和盛大厦新中发1515-1516 4号10号地铁海淀黄庄站 东南口

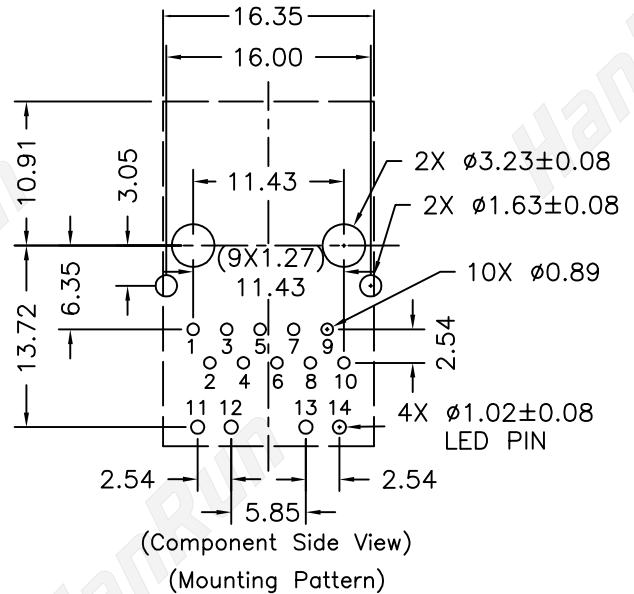
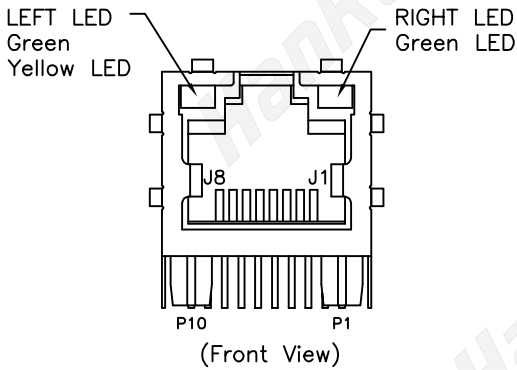
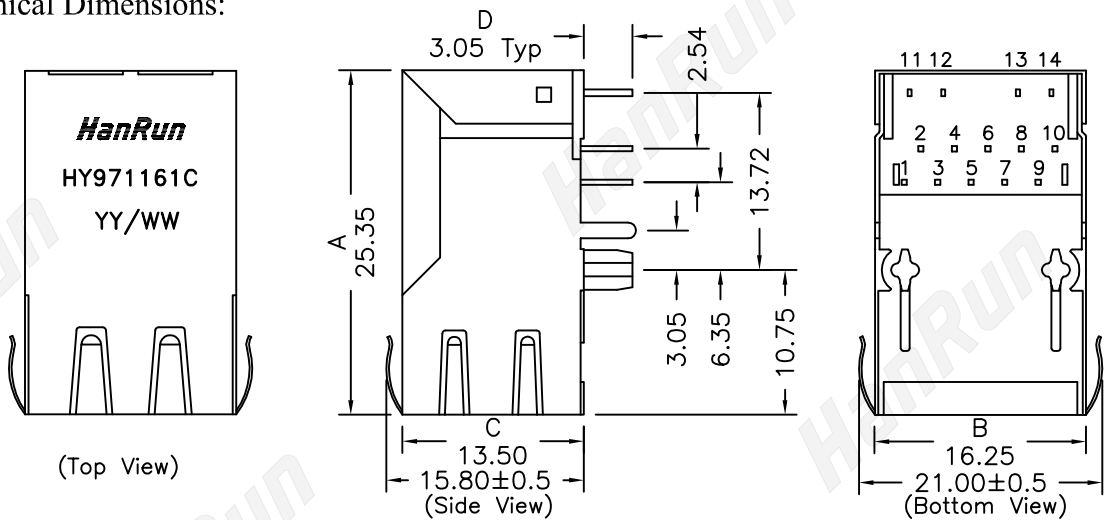
1x1 Port Tab-UP RJ45 Connector
with Integrated Magnetics and LED



HY971161C

- RoHS Compliant (PB Free)
- Designed for Network Interface Card Application
- Meets or Exceeds IEEE802.3ab standards including 350uH Min OCL with 8mADC
- High performance for EMI suppression, Crosstalk, Return Loss and Consistent Electrical
- Minimum 1500Vrms isolation per IEEE802.3 requirement
- Minimize PCB space and Simplify PCB Layout
- Less magnetic components to place on PCB, Higher reliability and yields

Mechanical Dimensions:



Standard LED	Wavelength	Forward V (Min/Max)	Forward A	Type
Green/Yellow	568nm/586nm	1.8V/2.8V	20mA	squareness
Yellow	586nm	1.8V/2.8V	20mA	squareness

Dimensions in mm

Unless otherwise specified, Tolerance: .xx ±0.25

REV.A (2008/10/28)