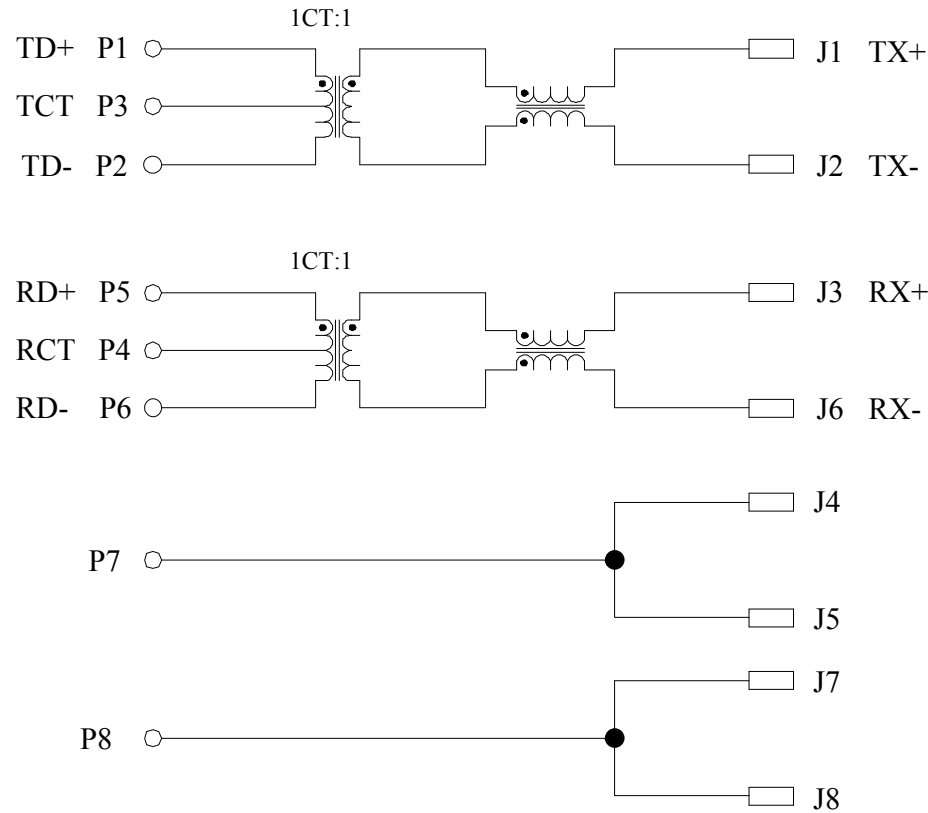


Schematic:

| REV. | ECN NO. | DESCRIPTION | DATE | APPD |
|------|---------|-------------|------------|------|
| A | REL | | 2016-06-24 | |

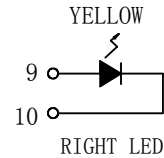
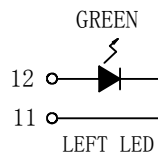
PC BOARD CONNECTIONS



RJ45 CONNECTOR

ELECTRICAL SPECIFICATIONS @25°C

- Turn Ratio ($\pm 3\%$):
TX=1CT:1 RX=1CT:1
- Inductance OCL:
350uH MIN @ 100KHz 0.1V 8mA DC Bias
- DCR: 1.2Ω MAX
- Insertion Loss:
-1.0dB MAX @ 1-100MHz
- Return Loss:
-16dB MIN @ 1-30MHz
-14dB MIN @ 30-60MHz
-10dB MIN @ 60-80MHz
- Cross talk:
-40dB MIN @ 1-30MHz
-35dB MIN @ 30-60MHz
-30dB MIN @ 60-100MHz
- Common Mode Rejection:
-35dB MIN @ 1-100MHz
- Hipot Test: 1500Vrms
- Operating Temperature Range: -40°C TO +85°C.

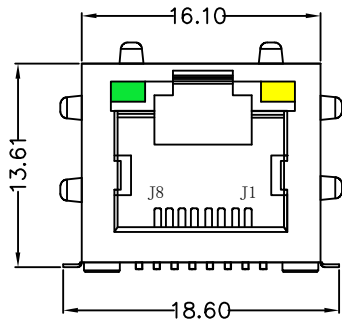


| Emitting Color | λ_p (nm) | V _F @I _F =20mA | I _R @V _R =5V |
|----------------|------------------|--------------------------------------|------------------------------------|
| GREEN | 565 | 1.8~2.4V | 10 μA max |
| YELLOW | 585 | 1.8~2.4V | 10 μA max |

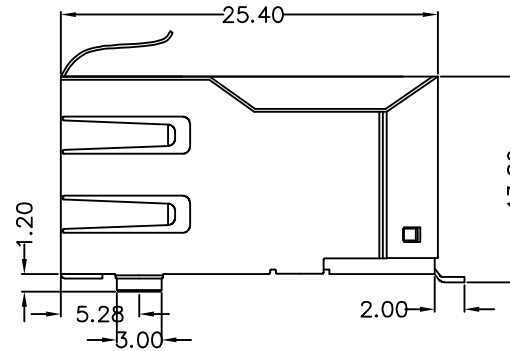
| | | | |
|--------|------------|------------|--|
| X:X | ±0.30 | APPD: | LINK-PP INT'L TECHNOLOGY CO., LIMITED |
| X:XX | ±0.25 | CHKD: | |
| X:XXX | ±0.05 | DR: TOM | TITLE: Surface Mount 1×1 Tab-Up Jack With 10/100M Magnetic For PoE Application |
| ANGLES | ±1° | UNIT: mm | PART NO.: LPJ19618ABNL |
| | SCALE: 2/1 | SHEET: 1/2 | REV: A |
| | | | DWG NO.: LP16062302 |

Mechanical:

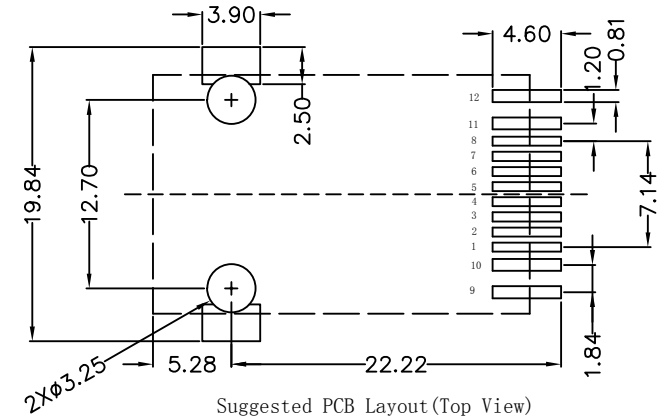
| REV. | ECN NO. | DESCRIPTION | DATE | APPD |
|------|---------|-------------|------------|------|
| A | REL | | 2016-06-24 | |



Front Side View



Left Side View

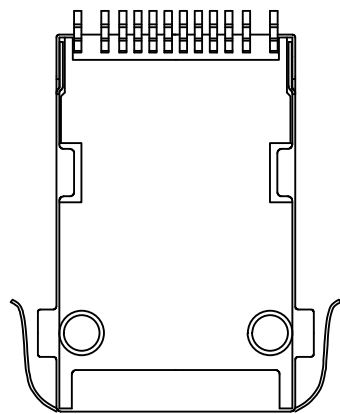


Suggested PCB Layout (Top View)

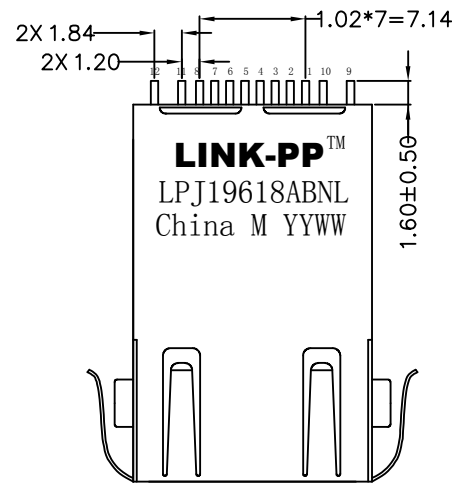


NOTES:

1. Designed to support application, such as SOHO (ADSL modems), LAN-on-Motherboard (LOM), hub and Switches.
2. Designed for PoE, IEEE802.3af applications
3. Power on used or unused pairs for up to 350mADC.
4. Connector Materials:
 Housing: Thermoplastic UL94V-0
 Contact/Shield: Copper alloy
 Shield plating: Nickel
 Contact plating: Gold 6 micro-inches min. In contact area.
5. For RoHS part add suffix NL
6. Reflow soldering 260°C degC for 5~10 sec.
7. UL Certification: E484635



Bottom Side View



Top Side View

| | | |
|-------------|------------|--|
| X:X ±0.30 | APPD: | LINK-PP INT'L TECHNOLOGY CO., LIMITED |
| X:XX ±0.25 | CHKD: | |
| X:XXX ±0.05 | DR: TOM | TITLE: Surface Mount 1×1 Tab-Up Jack With 10/100M Magnetic For PoE Application |
| ANGLES ±1° | UNIT: mm | PART NO.: LPJ19618ABNL |
| | SCALE: 2/1 | SHEET: 2/2 |
| | REV: A | DWG NO.: LP16062302 |