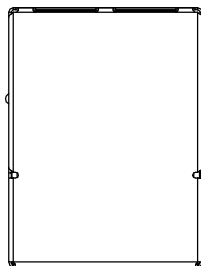
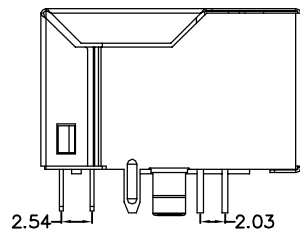


REACH & RoHS
COMPLIANT

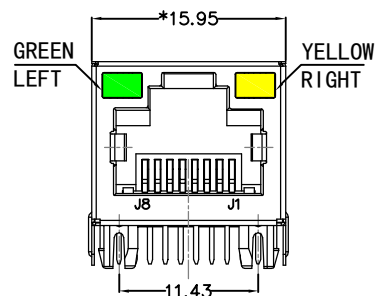
| REV. | ECN / DESCRIPTION | BY | DATE |
|------|-------------------|-------|------------|
| A0 | NEW | ZG.Hu | 2018.03.10 |



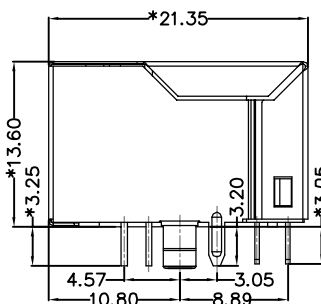
TOP VIEW



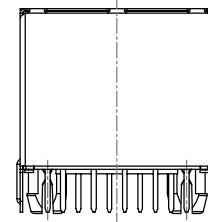
LEFT SIDE VIEW



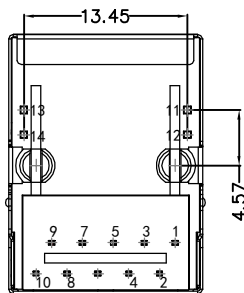
FRONT VIEW



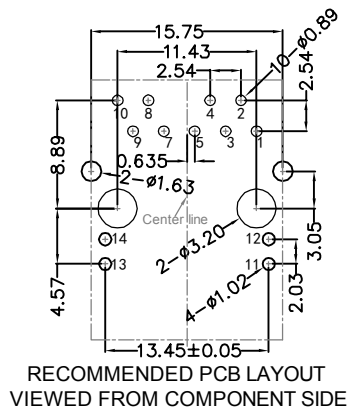
RIGHT SIDE VIEW



BACK VIEW



BOTTOM VIEW



MATERIAL:

HOUSING : PBT,UL94V-0,BLACK.
 TERMINALS BRACKET: PBT,UL94V-0,BLACK.
 SHIELD: C2680,T=0.20MM,NICKEL PLATING ON ALL AREA.
 TERMINAL: PHOSPHOR BRONZE C5210,T=0.35MM,
 6U" GOLD PLATING ON CONTACT AREA.

MECHANICAL:

DURABILITY : 750 CYCLES MIN.
 MATING FORCE : 23N MAX.
 OPERATING TEMPERATURE: -40°C~+85°C.
 STORAGE TEMPERATURE: -40°C~+85°C.
 ALL CRITICAL DIMENSIONS WITH "*"

NINGBO KLS ELECTRONIC CO.,LTD

TITLE:
TAB-UP 1X1 100BASE POE+

SIZE
A4
UNITS
MM[INCH]

GENERAL TOLERANCES
UNLESS SPECIFIED

APPROVED BY:
JP.Gong

PART NO.:
L-KLS12-TL405A-1X1-03

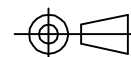
SACLE
1:1
REV
A0

$x \pm 0.35$
 $x^\circ \pm 3.0^\circ$
 $.x \pm 0.30$
 $.x^\circ \pm 2.0^\circ$

CHECKED BY:
TW.XU

REMARK:

SHEET
1/3



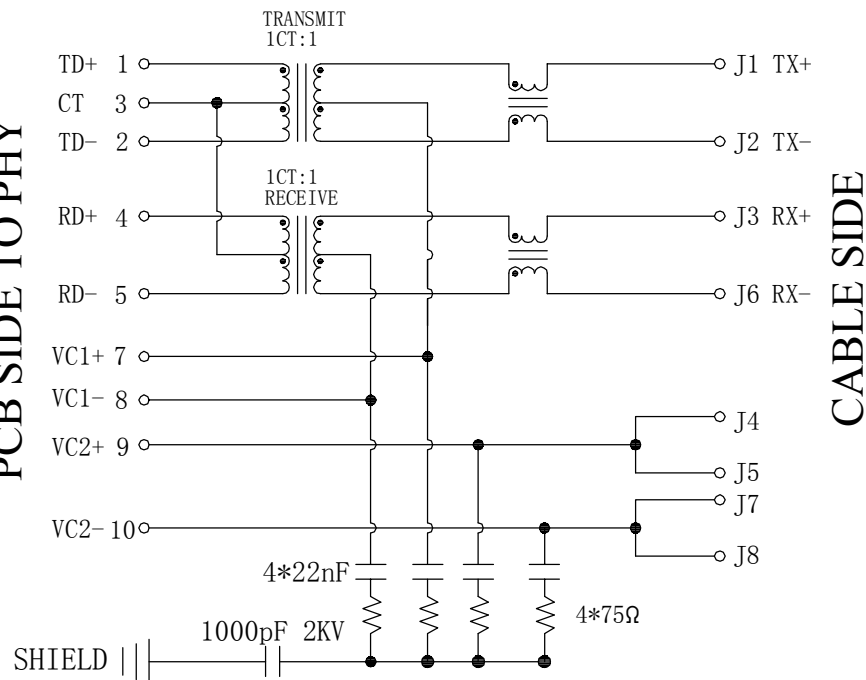
$.xx \pm 0.25$
 $.xx^\circ \pm 1.5^\circ$
 $.xxx \pm 0.10$
 $.xxx^\circ \pm 1.0^\circ$

DESIGND BY:
ZG.Hu

REACH & RoHS
COMPLIANT

| REV. | ECN / DESCRIPTION | BY | DATE |
|------|-------------------|-------|------------|
| A0 | NEW | ZG.Hu | 2018.03.10 |

PCB SIDE TO PHY



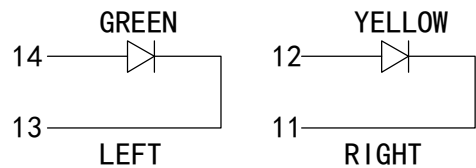
CABLE SIDE

Electrical:

- Turn ratio: 1~2: J1~J2=1CT:1CT(±2%).
4~5: J3~J6=1CT:1CT(±2%).
- OCL: 350uH Min.@ 100KHz 100mV
RMS(4Channel) 8mA DC BIAS.
- Insertion Loss: -1.0 dB Max 1~100MHz.
- Return loss: -20dB Min 1~10MHz;
-16dB Min 10~30MHz.
-12dB Min 30~60MHz.
-10dB Min 60~80MHz.
- Cross talk: -40dB Min 1~30MHz;
-35dB Min 30~60MHz;
-30dB Min 60~100MHz;
- CMR: -30dB Min 1~100MHz;
- Hi-Pot: 500V AC 6S 1mA
- Single port magnetic jack POE magnetics acc.
To IEEE802.3at for PSE or PD applications.
- 100% of production tested to comply with
IEEE 802.3 isolation requirements balanced DC
line current 720mA max. 57V DC continuous.

LED Specification

| Standard LED Color | LED Wavelength | Foward(A) | Foward(V) |
|--------------------|----------------|-----------|------------|
| Green | 568nm | 20mA | 1.85-2.45V |
| Yellow | 585nm | 20mA | 1.7-2.2V |



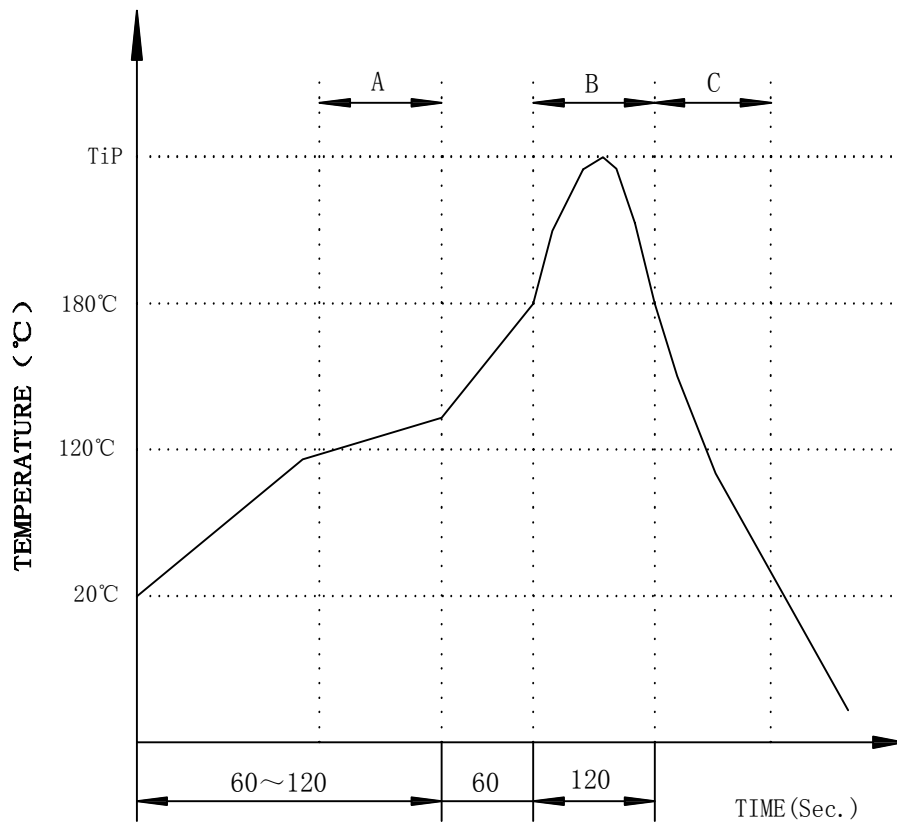
NINGBO KLS ELECTRONIC CO.,LTD

| | | | | | |
|------------------------------------|--------------|-------------------|--|-------------------------|-------------------------|
| TITLE: TAB-UP 1X1 100BASE POE+ | SIZE A4 | UNITS MM[INCH] | GENERAL TOLERANCES UNLESS SPECIFIED | | APPROVED BY: JP.Gong |
| PART NO.: L-KLS12-TL405A-1X1-03 | SACLE 1:1 | REV A0 | x±0.35 .x±0.30 | x°±3.0° .x°±2.0° | CHECKED BY: TW.XU |
| REMARK: | SHEET 2/3 | | .xx±0.25 .xxx±0.10 | .xx°±1.5° .xxx°±1.0° | DESIGND BY: ZG.Hu |

REACH & RoHS
COMPLIANT

PROFILE OF WAVE SOLDER

| REV. | ECN / DESCRIPTION | BY | DATE |
|------|-------------------|-------|------------|
| A0 | NEW | ZG.Hu | 2018.03.10 |



A.Preheating B.Soldering C.Gradual Cooling
 Tip temperature:260±5°C.
 Tip temperature time:5Sec Max.
 Tip melting point of Sn96.5/Ag3/Cu0.5:217°C.

Remarks: after wave soldering, the plastic positioning columns of the product which under the PCB will be slightly melted, but it won't affect its function.

| | | | | | | |
|-------------------------------|------------------------------------|--------------|-------------------|--|------------|-------------------------|
| NINGBO KLS ELECTRONIC CO.,LTD | TITLE: TAB-UP 1X1 100BASE POE+ | SIZE A4 | UNITS MM[INCH] | GENERAL TOLERANCES UNLESS SPECIFIED | | APPROVED BY: JP.Gong |
| | PART NO.: L-KLS12-TL405A-1X1-03 | SACLE 1:1 | REV A0 | x±0.35 | x°±3.0° | CHECKED BY: TW.XU |
| | REMARK: | SHEET 3/3 | | .xx±0.25 | .xx°±1.5° | DESIGND BY: ZG.Hu |
| | | | | .xxx±0.10 | .xxx°±1.0° | |