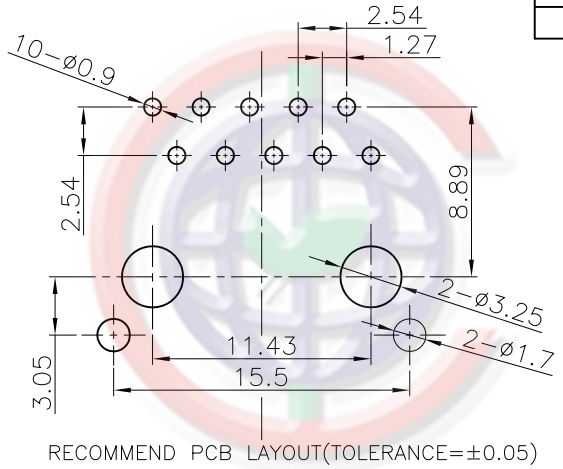
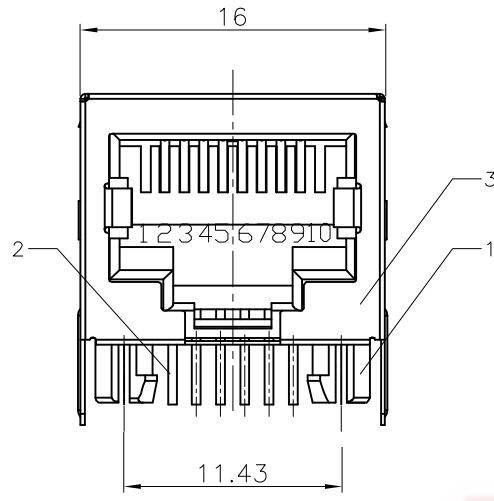


1	2	3	4	5	6	7	8
REV.	DESCRIPTION	DRAWN	CHECKED	APPROVED			
A	NEW RELEASE	LJH 03/26/06'		LJC 03/26/06'			
B	DRAWING UPDATE	JLZ 07/06/18'					

The information provided herein is from CONNELY Electronic Co., Ltd. and is confidential. Any disclosure to a party other than the recipient is prohibited. The intellectual properties and its rights contained herein, including but not limited to, trademarks, patents, copyrights, trade secrets, and technical know-how, are owned exclusively by CONNELY or its affiliates. Unauthorized use of this information in any format or manner. CONNELY may enforce its intellectual property rights at its own discretion; failures or delays to exercise such rights does not constitute a waiver of such rights.

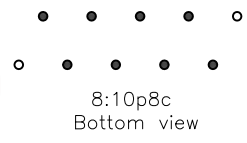
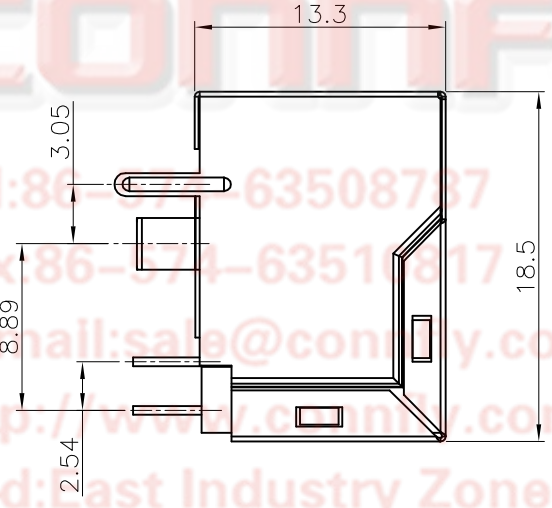
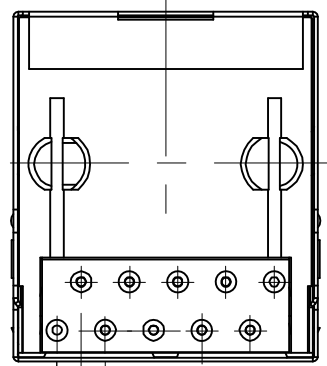


SPECIFICATION

- Insulation Resistance:1000MΩ Min.
- Withstand Voltage:500V AC/Minute.
- Durability:600 Mating Cycles Min.
- Product Number Code:

DS1127 - X X X X X

- Housing Materials
P:PBT
N:NYLON
- Housing Color
B:Black
- Contact Plating
0:Gold Flash
3:Selective 3u" Gold
(6;15;30)Micro Inch
- No.Of Contacts
8:10p8c 6:10p6c 10:10p10c
- Connector Type
S:Socket
- Series No.
DS1127



Tel:86-574-63508787
 Fax:86-574-6351817
 E-mail:sale@connely.com
 http://www.connely.com
 Add:East Industry Zone KuangYan
 Town Cixi Ningbo China
 P.C:315333

(3)	SHIELDING	1	COPPER ALLOY	0.20mm THICKNESS
(2)	PIN	1	PHOSPHOR BRONZE	GOLD-PLATING
(1)	HOUSING	1	PBT OR NYLON	UL94 V-0 OR 94 V-2
No.	PART NAME	Q'TY	MATERAIL	REMARK

GENERAL TOLERANCE		ANGLE TOLERANCE	
X.	±0.60	X.	±5°
.X	±0.38	.X	±3°
.XX	±0.25	.XX	±2°

PROJECTION		TITLE	PCB JACK 10P
UNITS	mm	SHEET	1 OF 1
SHEET SIZE	A4	SERIES	DS1127 SERIES

晨翔电子有限公司
CONNELY CONNELY ELECTRONIC CO. LTD