

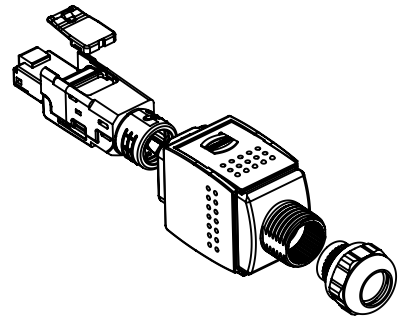
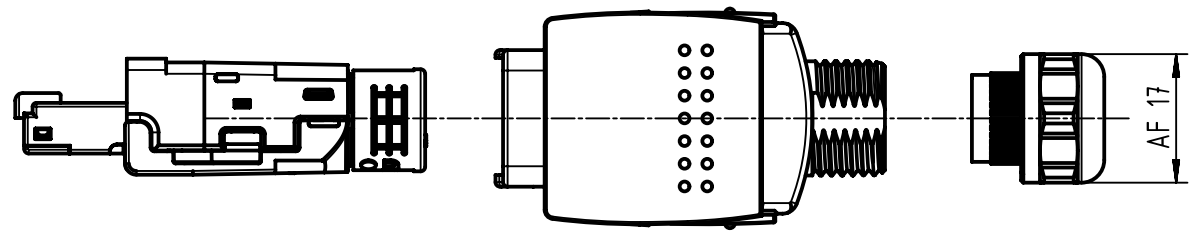
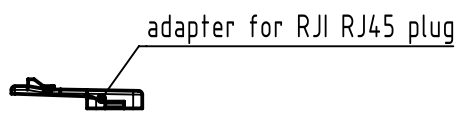
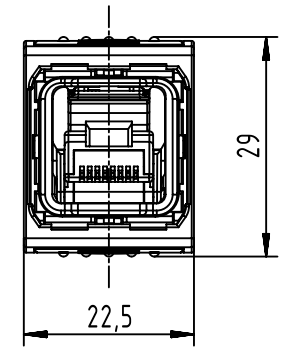
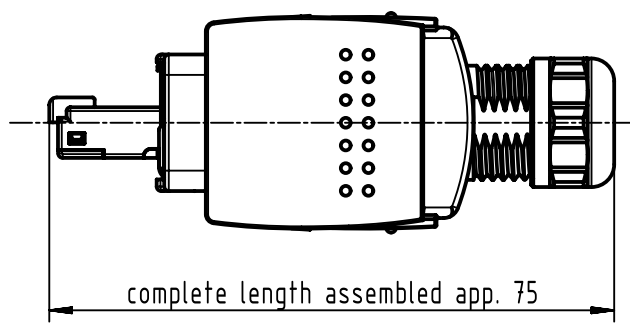
1 2 3 4 5 6

A

B

C

D



	All Dimensions in mm Original Size DIN A4		Scale 1:1	Free size tol.		Ref.	
						Sub.	
	All rights reserved		Created by STORCK	Inspected by ZWAHR	Standardisation HOFFMANN	Date 2020-03-05	
	Department EL PD					State Final Release	
HARTING Electronics GmbH D-32339 Espelkamp		Title PP-V14-CC-IDC-RJ45-8P-P-M-STR-SHLD				Doc-Key / ECM-Nr. 100884284/UGD/008/A 500000167492	
		Type TB	Number 09352200401			Rev. A	Page 1/1