



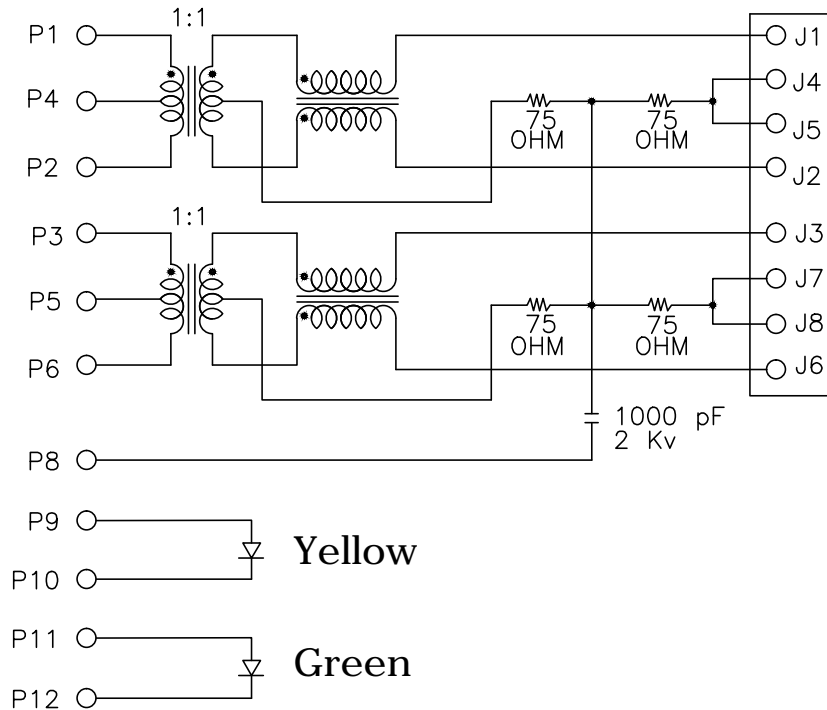
REV.	DESCRIPTION	DRAWN	DATE
	see sheet one		

ELECTRICAL CHARACTERISTICS  
TEST NOTES: (25°±5°C)


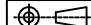
Item	Parameter	Condition	Min.	Typ.	Max.	Unit	REMARK
1	Insertion loss	1-100 MHz			-1	dB	
2	Return loss	1-30 MHz	-20			dB	
		30-60 MHz	-15			dB	
		60-80 MHz	-11			dB	
3	Primary Inductance @100KHz, 0.1Vrms, 8mA DC BIAS	(1-2), (3-6)	350			uH	
4	Crosstalk	1-100 MHz	-30			dB	
5	Hipot	Vrms	1.5			kV	

CONNECTOR SOLDER SIDE

RJ45 CABLE SIDE



SCHEMATIC

UNLESS OTHERWISE SPECIFIED TOLERANCE				 www.attend.com.tw	
UNIT:	DECIMAL	LINEAR	ANGLES		
mm	X.	±0.50	±5°		
	X.X	±0.25	±3°		
	X.XX	±0.12	±1°		
DRAWN	Fros	2019/08/26	DRAWN NAME:		
CHECKED	Tim	2019/08/26	RJ45 Transformer Jack, 1x1 Port w/LED w/EMI Tab, Down Latch, 10/100, 5u", Tray		
APPROVED	Ken	2019/08/26	PRODUCT NO.	213A-11CAA-R17	
	SCALE	SHEET	SIZE	FILE NAME	
	N/A	2/2	A4	213A-11CAA-R17_B_1	